

SimpoleD

SimpoleD-CRE-160150 for Cree Modular Passive LED Cooler Φ 160mm

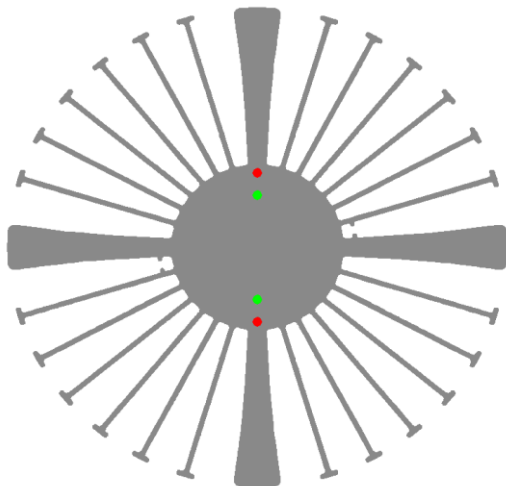
Features VS Benefits

- * The SimpoleD-CRE-160150 Cree Modular Passive LED Coolers are specifically designed for luminaires using the Cree LED engines.
- * Mechanical compatibility with direct mounting of the LED engines to the LED cooler and thermal performance matching the lumen packages.
- * For spotlight and downlight designs from 3600 to 14500 lumen.
- * Thermal resistance range R_{th} 0.42°C/W.
- * Modular design with mounting holes foreseen for direct mounting of Cree Lxamp, 1512,1520, CXA1816,1820 ,1830, CXA2520,CXA1850,CXA25xx,CXA30xx and CXA3590 COB engines.
- * Diameter 160mm - standard height 150mm Other heights on request.
- * Extruded from highly conductive aluminum.



Zhaga LED engine and radiator assembly is a unified future international standardization

- * Below you find an overview of Cree COB's which standard fit on the SimpoleDcoolers.
- * In this way mechanical after work and related costs can be avoided, and lighting designers can standardize their designs on a limited number of LED coolers.



Cree LED modules with holeddrs Mounting Options.

Cree Lxamp CXA1850 LED Modules: (Ideal Holder:50-2101CR), (BJB Holder:47.319.2131.50)

Maximum drive current optional: 2100mA;

Cree Lxamp CXA2540 LED Modules: (Ideal Holder:50-2102CR), (BJB Holder:47.319.2141.50)

Maximum drive current optional: 2100mA;

Cree Lxamp CXA2590 LED Modules: (Ideal Holder:50-2102CR), (BJB Holder:47.319.2141.50)

Maximum drive current optional: 1400mA;

Cree Lxamp CXA3050 LED Modules: (Ideal Holder:50-2234C), (BJB Holder:47.319.2151.50)

Maximum drive current optional: 2500mA;

Cree Lxamp CXA3070 LED Modules: (Ideal Holder:50-2234C), (BJB Holder:47.319.2151.50)

Maximum drive current optional: 2500mA;

Please refer to the data files on www.idealindustries.com, which is the detail of Ideal holders application guide

Zhaga Book3 Green indicator marks:
Direct mounting with machine screws M3x6mm;
Green indicator marks.

Cree LED Modules for Ideal holder irectly Mounting Options.

Cree Lxamp CXA3590 LED Modules: (Ideal Holder: 50-2303CR),
Maximum drive current optional: 1300mA

Please refer to the data files on www.idealindustries.com, which is the detail of Ideal holders application guide

Please refer to the www.cree.com data provided on the manual.

Direct mounting with machine screws M3x6mm;
Red indicator marks.



SimpoleD **SimpoleD-CRE-160150 for Cree Modular Passive LED Cooler Φ160mm**

Mounting Options and Drawings & Dimensions

Example: SimpoleD-CRE-160150-B-1,2

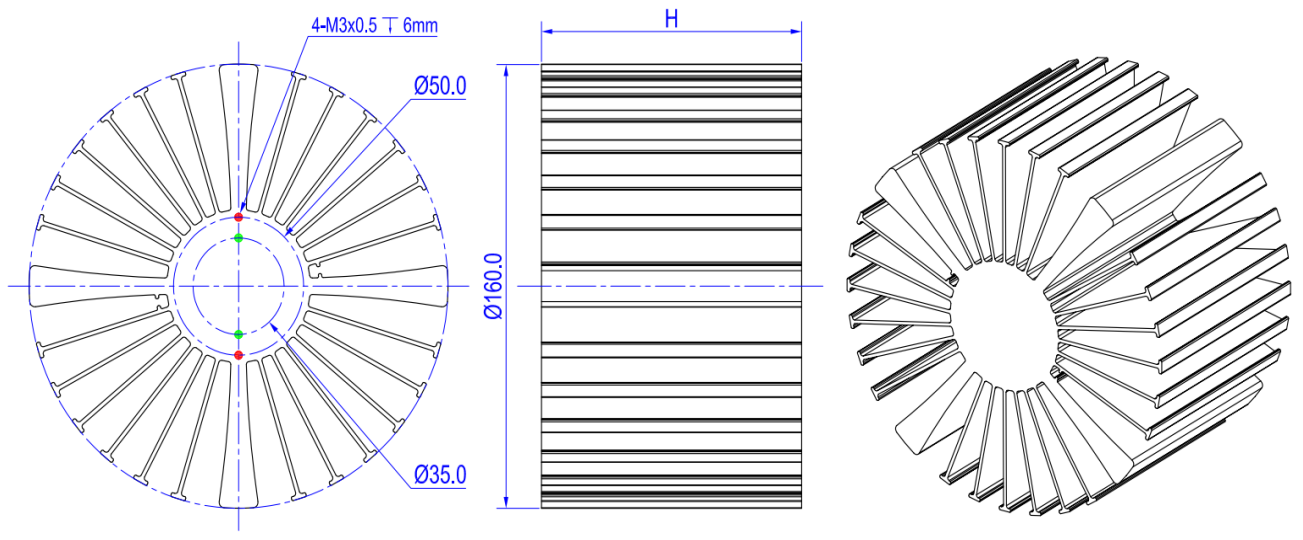
Example: SimpoleD-CRE-160 **1** - **2** - **3**

- 1** Height (mm)
- 2** Anodising Color
B-Black
C-Clear
Z-Custom
- 3** Mounting Options - see graphics for details Combinations available
Ex.order code - 12
means option 1 and 2 combined



Notes:
 - Mentioned models are an extraction of full product range.
 - For specific mechanical adaptations please contact MingfaTech.
 - MingfaTech reserves the right to change products or specifications without prior notice.

MOUNTING OPTION	Module type	Holder NO.	THREAD	THREAD DEPTH	THREAD HOLE DISTANCE
1	CXA-15xx ;	BJB: 47.319.6101.50 IDEAL:50-2001CR	M3	6mm	35mm/ 2-@180° Zhaga Book3
	CXA18XX ;	BJB:47.319.2130.50 IDEAL:50-2101CR			
	CXA1830 ;	BJB:50-2001CR			
	CXA25xx ;	BJB:47.319.2140.50 IDEAL:50-2102CR			
	CXA30xx ;	BJB:47.319.2150.50 IDEAL:50-2234C			
2	CXA35xx ;	IDEAL:50-2303CR			50mm/ 2-@180°



Tel: +86-769-39023131
 E-fax: +86-(020)28819702 ext:22122
 Email:sales@mingfatech.com
 Http://www.heatsinkled.com
 Http://www.mingfatech.com



SimpoleD

SimpoleD-CRE-160150 for Cree Modular Passive LED Cooler Φ 160mm

The thermal data table

	<i>SimpoleD-160150</i>
Model No.	SimpoleD-CRE-160150
Size	D160xH150mm
Material	AL6063-T5
Finish	Black Anodized
Weight(gr)	3155.0
Thermal Wattage	120W
HeatsinkΘs-a²	506323
Heat Sink T Rise Above Ambient	0.42

Dissipated Power Pd(W)	Pd = Pe x (1- η L)	Heat sink to ambient thermal resistance Rhs-amb (°C/W)	Heat sink to ambient temperature rise T _{hs-amb} (°C)
		SimpoleD-CRE-160150	SimpoleD-CRE-160150
25		0.56	14.0
45		0.53	24.0
60		0.50	30.0
75		0.47	35.0
90		0.44	40.0
100		0.43	43.0
120		0.42	50.0

