

SimpoleLED

SimpoleLED-LUM-160100 for LumiLEDs Modular Passive LED Cooler Φ 160mm

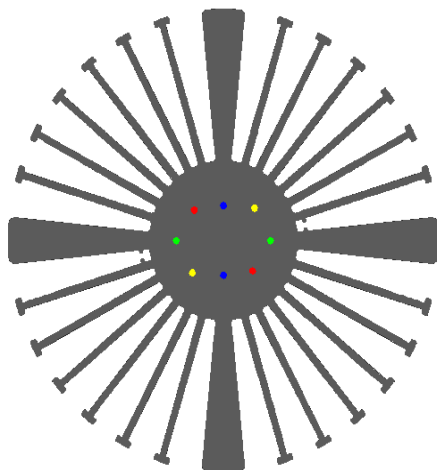
Features VS Benefits

- * The SimpoleLED-LUM-160100 LumiLEDs Modular Passive LED Coolers are specifically designed for luminaires using the LumiLEDs LED engines.
- * Mechanical compatibility with direct mounting of the LED engines to the LED cooler and thermal performance matching the lumen packages.
- * For spotlight and downlight designs from 5500 to 11000 lumen.
- * Thermal resistance range R_{th} 0.48°C/W.
- * Modular design with mounting holes foreseen for direct mounting of LUMILEDS Luxeon K and LuxeonCOB engines.
- * Diameter 160mm - standard height 100mm Other heights on request.
- * Extruded from highly conductive aluminum.



Zhaga LED engine and radiator assembly is a unified future international standardization

- * Below you find an overview of LumiLEDs engines COB's and LED modules which standard fit on the SimpoleLED coolers.
- * In this way mechanical after work and related costs can be avoided, and lighting designers can standardize their designs on a limited number of LED coolers.



LumiLEDs COB Module for which Zhaga book3 LED Modules holders are available.

Lumi Luxeon COB 1208 Modules:

| | |
|-----------------|-----------------|
| LHC1-2780-1208; | LHC1-4070-1208; |
| LHC1-2790-1208; | LHC1-4080-1208; |
| LHC1-3080-1208; | LHC1-4090-1208; |
| LHC1-3090-1208; | LHC1-5080-1208; |
| LHC1-3580-1208; | LHC1-5570-1208; |
| LHC1-3590-1208; | |

Zhaga Book3 Green indicator marks;
TE Holder:2213130-2 ;
BJB Holder:43.319.2011.50 ;
Mounting with machine screws M3x6mm.

Lumi Luxeon COB 1211 Modules:

| | |
|-----------------|-----------------|
| LHC1-2780-1211; | LHC1-4070-1211; |
| LHC1-2790-1211; | LHC1-4080-1211; |
| LHC1-3080-1211; | LHC1-4090-1211; |
| LHC1-3090-1211; | LHC1-5070-1211; |
| LHC1-3580-1211; | LHC1-5080-1211; |
| LHC1-3590-1211; | LHC1-5570-1211; |

Zhaga Book3 Green indicator marks;
BJB Holder:43.319.2030.50;
Mounting with machine screws M3x6mm.

LumiLED engines directly Mounting Options

LumiLuxeonCOB 1211 Modules Mounting Options.

| | |
|-----------------|-----------------|
| LHC1-2780-1211; | LHC1-4070-1211; |
| LHC1-2790-1211; | LHC1-4080-1211; |
| LHC1-3080-1211; | LHC1-4090-1211; |
| LHC1-3090-1211; | LHC1-5070-1211; |
| LHC1-3580-1211; | LHC1-5080-1211; |
| LHC1-3590-1211; | LHC1-5570-1211; |

Direct mounting with machine screws M3x6mm;
Yellow indicator marks.

SimpoLED

SimpoLED-LUM-160100 for LumiLEDs Modular Passive LED Cooler Φ 160mm

Mounting Options and Drawings & Dimensions

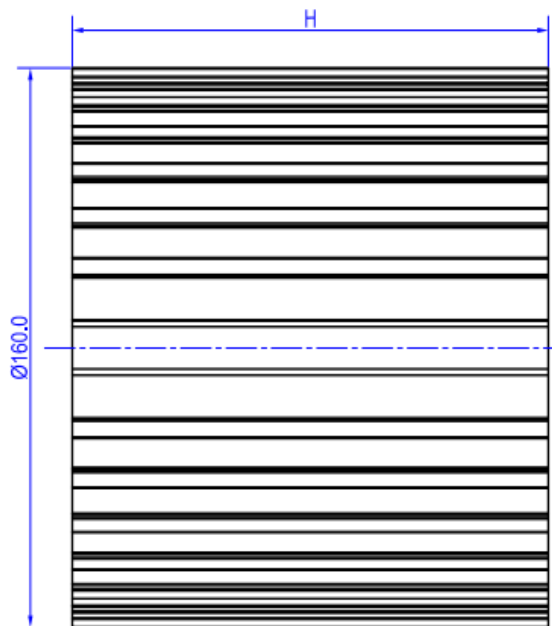
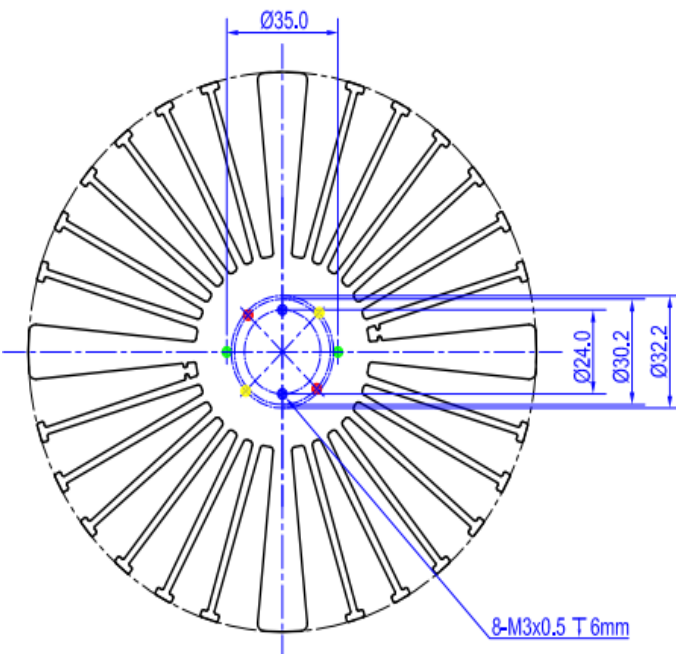
Example: SimpoLED-LUM-160100-B-3

Example: SimpoLED-LUM-160 **1** - **2** - **3**

- 1** Height (mm)
- 2** Anodising Color
 - B-Black
 - C-Clear
 - Z-Custom
- 3** Mounting Options - see graLUMcs for details Combinations available
 - Ex.order code - 12
 - means option 1 and 2 combined




| MOUNTING OPTION | Module type | Holder NO. | THREAD | THREAD DEPTH | THREAD HOLE DISTANCE |
|-----------------|----------------------------------|---------------------|--------|--------------|----------------------|
| 1 | Luxeon K 12-UP Luxeon K 16-UP | / | M3 | 6mm | 24.0mm/ 2-@180° |
| 2 | Luxeon K 24-UP | / | M3 | 6mm | 30.2mm/ 2-@180° |
| 3 | LuxeonCOB1211 | / | M3 | 6mm | 32.2mm/ 2-@180° |
| 4 | LuxeonCOB1204 | BJB :43.319.2011.50 | M3 | 6mm | 35.0mm/ 2-@180° |
| | LuxeonCOB1205 | TE:2213130-2 | | | |
| | LuxeonCOB1208 | TE:2213130-2 | | | |
| | LuxeonCOB1211 | BJB:43.319.2030.50 | | | |
| | Luxeon K 12-UP | BJB:47.319.2070.50 | | | |
| | Luxeon K 16-UP | TE:2213134-2 | | | |



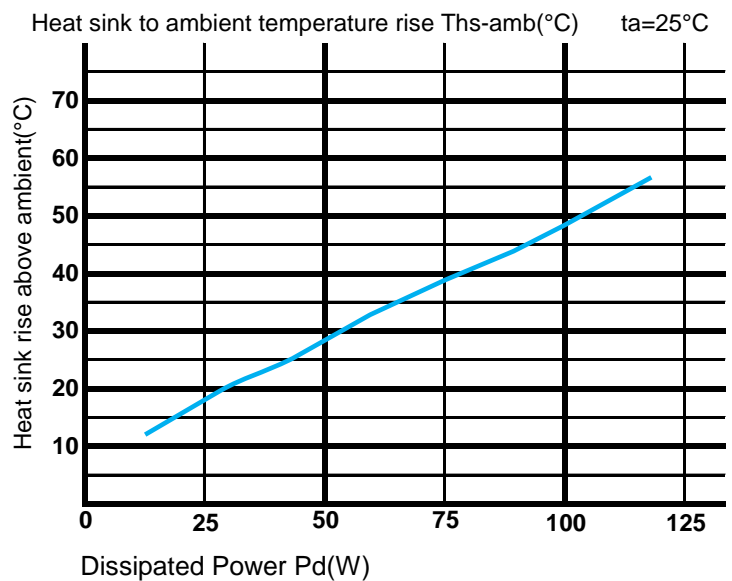
SimpoleD

SimpoleD-LUM-160100 for LumiLEDs Modular Passive LED Cooler Φ160mm

The thermal data table

| | |
|---------------------------------------|--|
| |  <i>SimpoleD-160100</i> |
| Model No. | SimpoleD-LUM-160100 |
| Size | Φ160xH100mm |
| Material | AL6063-T5 |
| Finish | Black Anodized |
| Weight(g) | 2104.0 |
| Thermal Wattage | 100.2W |
| HeatsinkOs-a² | 342742 |
| Heat Sink T Rise Above Ambient | 0.48 |

| Dissipated Power Pd(W) | Pd = Pe x (1-ηL) | Heat sink to ambient thermal resistance Rhs-amb (°C/W) | Heat sink to ambient temperature rise Ths-amb (°C) |
|------------------------|---------------------|--|--|
| | | SimpoleD-LUM-160100 | SimpoleD-LUM-160100 |
| 15.0 | | 0.64 | 9.6 |
| 30.0 | | 0.56 | 16.8 |
| 45.0 | | 0.52 | 23.4 |
| 60.0 | | 0.50 | 30.0 |
| 75.0 | | 0.48 | 36.0 |
| 90.0 | | 0.46 | 41.4 |
| 100.0 | | 0.48 | 48.0 |



Notes:

- Mentioned models are an extraction of full product range.
- For specific mechanical adaptations please contact MingfaTech.
- MingfaTech reserves the right to change products or specifications without prior notice.