

*SimpoleD*

**SimpoleD-SAM-8150 for Samsung Modular Passive LED Cooler  $\Phi$ 81mm**

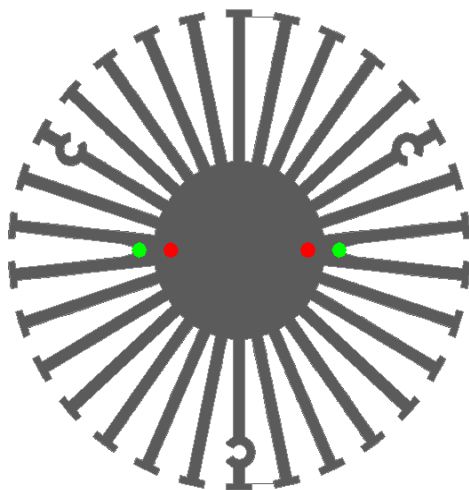
**Features VS Benefits**

- \* The SimpoLED-SAM-8150 Samsung Modular Passive LED Coolers are specifically designed for luminaires using the Samsung LED engines.
- \* Mechanical compatibility with direct mounting of the LED engines to the LED cooler and thermal performance matching the lumen packages.
- \* For spotlight and downlight designs from 1500 to 2400 lumen.
- \* Thermal resistance range Rth 1.9°C/W
- \* Modular design with mounting holes foreseen for direct mounting of Samsung COB LED engines.
- \* Diameter 81mm - standard height 50mm Other heights on request.
- \* Extruded from highly conductive aluminum.



**Samsung LED engine and radiator assembly directly Mounting Options**

- \* Below you find an overview of Samsung COB's and LED modules which standard fit on the SimpoLED coolers.
- \* In this way mechanical after work and related costs can be avoided, and lighting designers can standardize their designs on a limited number of LED coolers.



**Samsung LED Modules Mounting indicator marks overview**

**For the LC019 B LED engines.**

- SPHWW1HDNB25YHW32J;
- SPHWW1HDNB25YHV32J;
- SPHWW1HDNB25YHU32J;
- SPHWW1HDNB25YHT32J;
- SPHCW1HDNB25YHRT2J;

**Direct mounting with machine screws M3x6mm;  
Red indicator marks.**

**For the LC026 B LED engines.**

- SPHWW1HDNC27YHW32F;
- SPHWW1HDNC27YHV32F;
- SPHWW1HDNC27YHU32F;
- SPHWW1HDNC27YHT32F;
- SPHWW1HDNC25YHW32F;
- SPHWW1HDNC25YHV32F;
- SPHWW1HDNC25YHU32F;
- SPHWW1HDNC25YHT32F;
- SPHCW1HDNC25YHRT3F;

**With Zhaga Book3 Holders:  
TE Connectivity:Z50 2213258-2;  
Green indicator marks  
Mounting with machine screws M3x6mm;**

*SimpoleD*

SimpoleD-SAM-8150 for Samsung Modular Passive LED Cooler  $\Phi$ 81mm

**Mounting Options and Drawings & Dimensions**

Example: SimpoleD-SAM-8150-B-3

Example: SimpoleD-SAM-81 **1** - **2** - **3**

**1** Height (mm)

**2** Anodising Color

B-Black

C-Clear

Z-Custom

**3** Mounting Options - see graphics for details Combinations available

Ex.order code - 12

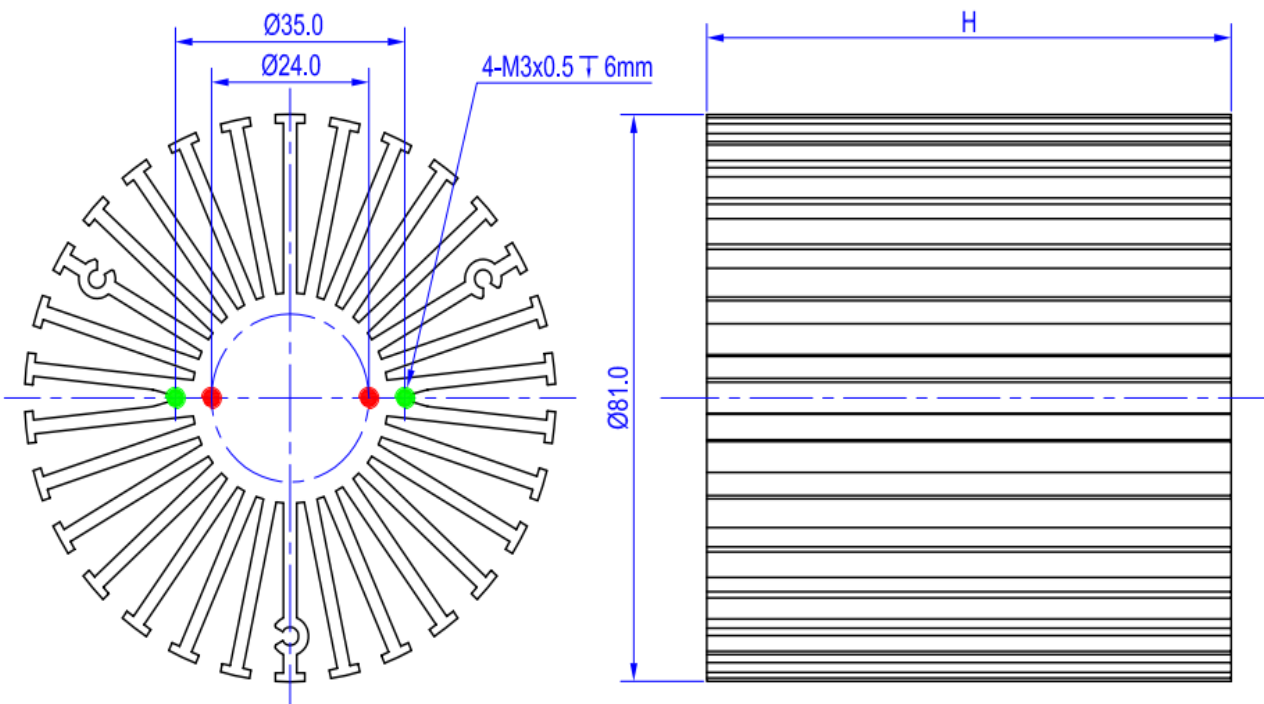
means option 1 and 2 combined

Notes:

- Mentioned models are an extraction of full product range.
- For specific mechanical adaptations please contact MingfaTech.
- MingfaTech reserves the right to change products or specifications without prior notice.



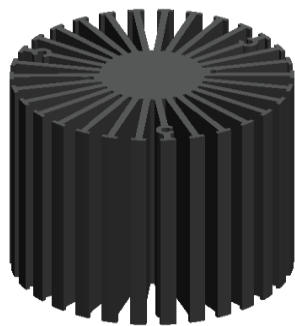
MOUNTING OPTION	Module type	Holder NO.	THREAD	THREAD DEPTH	THREAD HOLE DISTANCE
1	LC019	/	M3	6mm	24.0mm/ @2-180°
2	LC026	Type 2-2154857-3	M3	6mm	35.0mm/ @2-180°



*SimpoleD*

*SimpoleD-SAM-8150 for Samsung Modular Passive LED Cooler Φ81mm*

The thermal data table

	 <i>SimpoleD-8150</i>
<b>Model No.</b>	<b>SimpoleD-SAM-8150</b>
<b>Size</b>	<b>Φ81xH50mm</b>
<b>Material</b>	<b>AL6063-T5</b>
<b>Finish</b>	<b>Black Anodized</b>
<b>Weight(gr)</b>	<b>318.0</b>
<b>Thermal Wattage</b>	<b>26.5W</b>
<b>HeatsinkOs-a<sup>2</sup></b>	<b>94517</b>
<b>Heat Sink T Rise Above Ambient</b>	<b>1.9</b>

Dissipated Power Pd(W)	Pd = Pe x (1-ηL)	
	Heat sink to ambient thermal resistance Rhs-amb (°C/W)	Heat sink to ambient temperature rise Ths-amb (°C)
	SimpoleD-SAM-8150	SimpoleD-SAM-8150
6.0	2.60	15.6
12.0	2.18	26.2
18.0	2.00	36.0
24.0	1.95	46.8
30.0	1.72	51.6

