



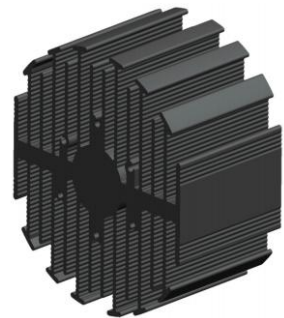
# LED

*eLED*

**eLED-PRO-9550 Prolight Modular Passive Star LED Heat Sink  $\Phi$ 95mm**

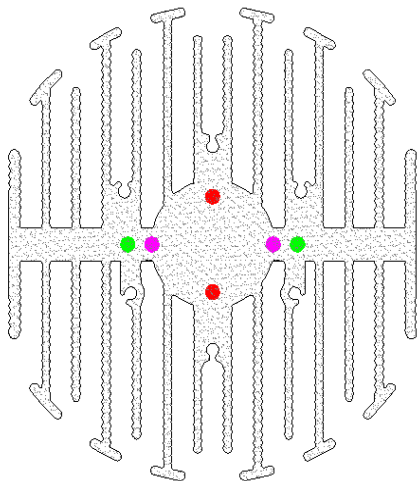
### Features VS Benefits

- \* The eLED-PRO-9550 Prolight Modular Passive LED Coolers are specifically designed for luminaires using the Prolight LED engines.
- \* Mechanical compatibility with direct mounting of the LED engines to the LED cooler and thermal performance matching the lumen packages.
- \* For spotlight and downlight designs from 1800 to 4500 lumen.
- \* Thermal resistance range Rth 1.35°C/W.
- \* Modular design with mounting holes foreseen for direct mounting of Prolight N SERIRS CI Series, CII SERIRS, CIII SERIRS BI SERIRS and BS SERIRS engines.
- \* Diameter 95mm - standard height 50mm Other heights on request.
- \* Extruded from highly conductive aluminum.



### Prolight LED engine and radiator assembly directly Mounting Options

- \* Below you find an overview of Prolight COB's and LED modules which standard fit on the eLED Star LED Heat Sinks.
- \* In this way mechanical after work and related costs can be avoided, and lighting designers can standardize their designs on a limited number of LED coolers.



### Prolight COB engines Mounting Options

**COB CI Series Modules names:**

- PACB-5xxx-xxxx ;
- PACB-7xxx-xxxx ;
- PACB-9xxx-xxxx ;

Pink indicator marks: Zhaga Book 11 BJB Holder:47.319.6060.50;

Green indicator marks: Zhaga Book3 BJB Holder:47.319.2040.50

Mounting with machine screws M3x6mm ;

Red indicator marks ;

Direct mounting machine screws M3x6mm ;

**COB BI SERIRS Module names:**

- PABA-10xxx-xxxx ; PABA-26xxx-xxxx ;
- PABA-15xxx-xxxx ; PABA-35xxx-xxxx ;
- PABA-22xxx-xxxx ; PABA-50xxx-xxxx ;

Green indicator marks: Zhaga Book3 BJB Holder:47.319.2040.50;

Mounting with machine screws M3x6mm;

Blue indicator marks:

Direct mounting with machine screws M3x6mm;

**COB BS SERIRS Modlue names:**

- PABS-6xxx-xxxx ;
- PABS-9xxx-xxxx ;

Red indicator marks:

Direct mounting with machine screws M3x6mm;

Tel: +86-769-33252828 +86-769-33251919

E-fax: +86-(020)28819702 ext:22122

Email:sales@mingfatech.com

Http://www.heatsinkled.com

Http://www.mingfatech.com





for

LED



eLED

eLED-PRO-9550 Prolight Modular Passive Star LED Heat Sink  $\Phi$ 95mm

Mounting Options and Drawings & Dimensions

Example:eLED-PRO-9550-B-3

Example:eLED-PRO-95 **1** - **2** - **3**

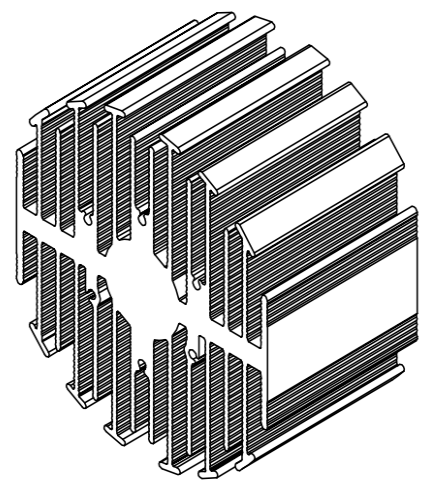
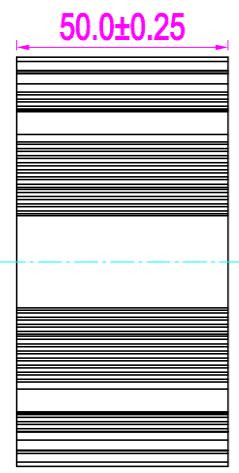
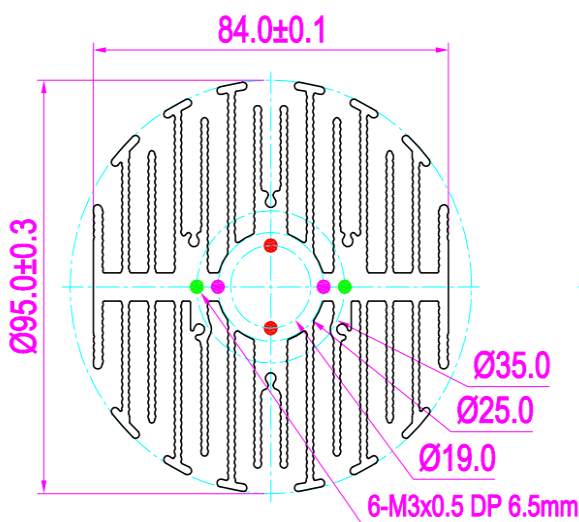
- 1** Height (mm)
- 2** Anodising Color  
B-Black  
C-Clear  
Z-Custom
- 3** Mounting options;  
On request;  
Mounting holes, cable holes;  
Screw thread, thermal interface pad.



Notes:

- Mentioned models are an extraction of full product range.
- For specific mechanical adaptations please contact MingfaTech.
- MingfaTech reserves the right to change products or specifications without prior notice.

MOUNTING OPTION	Module type	Holder NO.	THREAD	THREAD DEPTH	THREAD HOLE DISTANCE
1	COB CI Series COB BS SERIRS	/	M3	6.5mm	19mm/ 2-@180°
2	COB CI Series	BJB:47.319.6060.50;	M3	6.5mm	25mm/ 2-@180° Zhaga Book 11
3	COB CI Series COB BI SERIRS	BJB:47.319.2040.50;	M3	6.5mm	35mm/ 2-@180° Zhaga Book3





for

LED



eLED

eLED-PRO-9550 Prolight Modular Passive Star LED Heat Sink  $\Phi$ 95mm

The thermal data table

	 <i>eLED-9550</i>
<b>Model No.</b>	<b>eLED-PRO-9550</b>
<b>Size</b>	<b><math>\Phi</math>95xH50mm</b>
<b>Material</b>	<b>AL6063-T5</b>
<b>Finish</b>	<b>Black Anodized</b>
<b>Weight(gr)</b>	<b>353</b>
<b>Thermal Wattage</b>	<b>40.5W</b>
<b>Heatsink<math>\Theta</math>s-a<sup>2</sup></b>	<b>108320</b>
<b>Heat Sink T<sub>Rise Above Ambient</sub></b>	<b>1.25</b>

Dissipated Power Pd(W)	Heat sink to ambient thermal resistance Rhs-amb (°C/W)	
	eLED-PRO-9550	
10	1.80	18
20	1.40	28
30	0.97	29
40	1.25	50
50	1.18	59

