



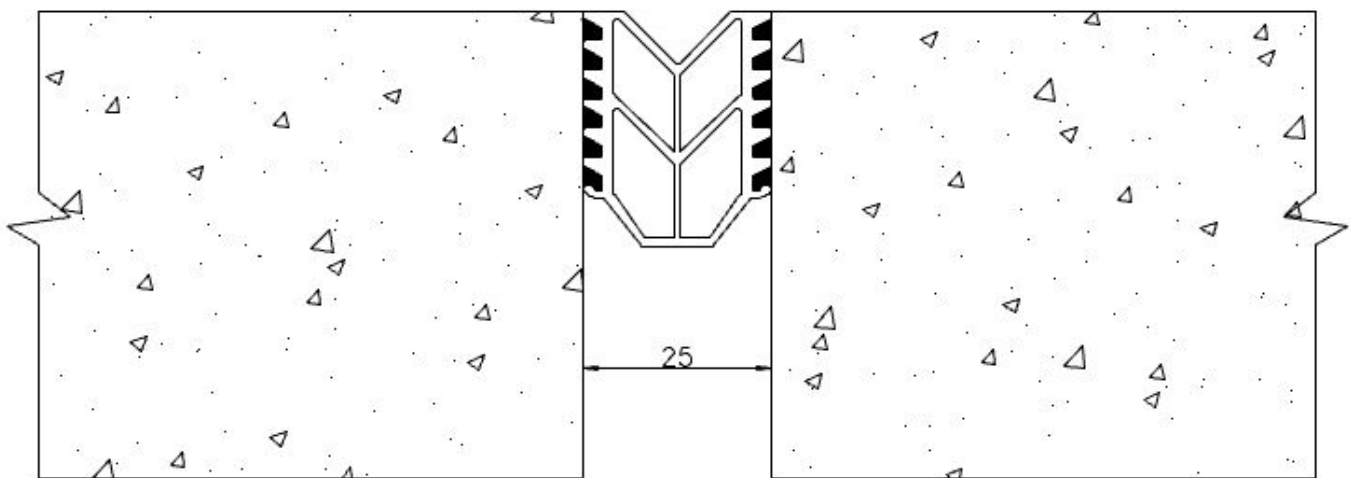
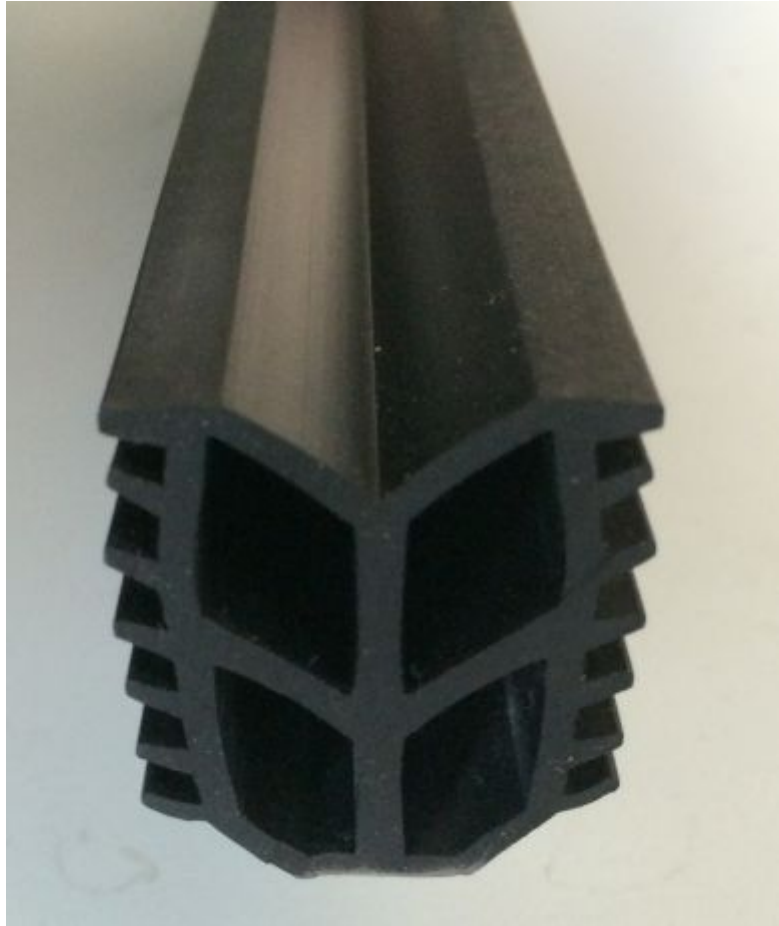
MEISHUO Building Materials CO.,Ltd

Office: No.2208, Huaqiao Square, Pukou district, Nanjing,China

Tel: 0086-025-58196288 Fax:0086-025-58196399

Website: www.msbox.com E-mail:sariel@msbox.com

MSQTP-1/25 EXPANSION JOINT SPEC DATA





MEISHUO Building Materials CO.,Ltd

Office: No.2208, Huaqiao Square, Pukou district, Nanjing,China

Tel: 0086-025-58196288 Fax:0086-025-58196399

Website: www.msbox.com E-mail:sariel@msbox.com

MSQTP-1/25 EXPANSION JOINT SPEC DATA

Product Description:

MSQTP-2/25 is a one-piece, extruded EPDM elastomeric seal with integral epoxy reservoirs, bonded into a high strength epoxy bedding, designed for use in parking deck and other water tight concrete deck applications. Proper installations will result in an extremely durable and water tight joint system, which achieves +/-50% movement capability.

BASIC USES:

Seismic applications in parking and other areas with vehicular access

TECHNICAL DATA:

Seal

- Material – EPDM
- Color – Black

MODEL	JOINT WIDTH	MINIMUM OPENING	MAXIMUM OPENING	EXPOSED SURFACE	BLOCKOUT WIDTH	BLOCKOUT HEIGHT
MSQTP-1/25	25MM	12MM	40MM	25MM	N/A	N/A

WARRANTY:

Meishuo warrants that its products are manufactured free of defects and conform to the technical data listed. Under this warranty, we will replace any material proven defective when applied in accordance with our written instructions for applications recommended by us as suitable for subject products. Meishuo shall not be liable for any injury, loss or damage, direct or consequential, arising out of the use of the product.