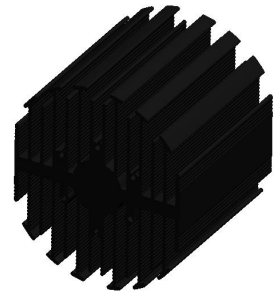


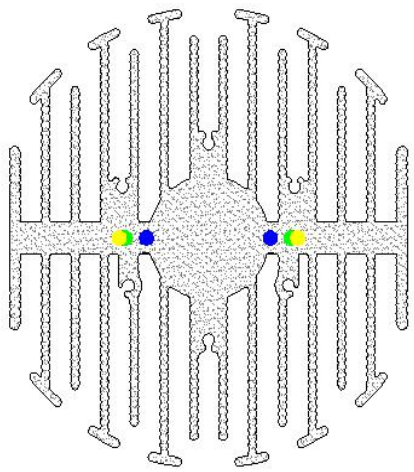
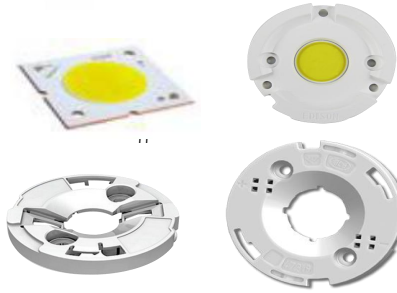
Features VS Benefits

- * The eLED-EDI-9580 Edison Modular Passive LED Coolers are specifically designed for luminaires using the Edison LED engines.
- * Mechanical compatibility with direct mounting of the LED engines to the LED cooler and thermal performance matching the lumen packages.
- * For spotlight and downlight designs from 2100 to 5500 lumen.
- * Thermal resistance range Rth 1.1°C/W.
- * Modular design with mounting holes foreseen for direct mounting of Edison EdiLex SLM and EdiLex II COB LED engines.
- * Diameter 95mm - standard height 80mm Other heights on request.
- * Extruded from highly conductive aluminum.



Zhaga LED engine and radiator assembly is a unified future international standardization

- * Below you find an overview of Edison engines COB's and LED modules which standard fit on the eLED coolers.
- * In this way mechanical after work and related costs can be avoided, and lighting designers can standardize their designs on a limited number of LED coolers.



Edison LED engines Mounting Options

For the EdiLex Spot Light Module (SLM).

5PHR35WWS0010002; 5PHR35NWS0010002;

Zhaga Book3 Green indicator marks:

Direct mounting with machine screws M3x8mm;

For the EdiLex II HM Series LED engines.

2PHM30WW27P13001; 2PHM40WW27P16001;
 2PHM30NW27P13001; 2PHM40NW27P16001;
 2PHM30CW27P13001; 2PHM40CW27P16001;

BJB holder:47.319.2021.50;
 AAG.STUCCHI holder:8101-G2.

BJB holder:47.319.2030.50;
 AAG.STUCCHI holder:8101-G2.

Zhaga Book3 Green indicator marks

Direct mounting with machine screws M3x8mm;

For the EdiLex II HM CRI90 Series LED engines.

2PHM30WW38P13001; 2PHM40WW38P16001;
 2PHM30NW38P13001; 2PHM40NW38P16001;
 2PHM30CW38P13001; 2PHM40CW38P16001;

BJB holder:47.319.2021.50;
 AAG.STUCCHI holder:8101-G2.

BJB holder:47.319.2030.50;
 AAG.STUCCHI holder:8101-G2.

Zhaga Book3 Green indicator marks

Direct mounting with machine screws M3x8mm;

For the EdiLex II SL Series LED engines.

2PSL30MW38P13001; 2PSL30RW27P13001;
 2PSL30AW27P13001; 2PSL30SW27P13001;

Zhaga Book3 Green indicator marks:

BJB holder:47.319.2021.50;
 AAG.STUCCHI holder:8101-G2.

Direct mounting with machine screws M3x6mm;

Edison LED engines directly Mounting Options

For the EdiLex II SD Series LED engines.

2PSD40WW01P03001; 2PSD50WW01P03001;
 2PSD40NW05P03001; 2PSD50NW05P03001;
 2PSD40CW06P03001; 2PSD50CW06P03001;

Direct mounting with machine screws M3x6mm;

Yellow indicator marks.



for

LED



eLED

eLED-EDI-9580 Edison Modular Passive Star LED Heat Sink $\phi 95\text{mm}$

Mounting Options and Drawings & Dimensions

Example:eLED-EDI-9580-B-3

Example:eLED-EDI-9580-1-2-3

1 Height (mm)

2 Anodising Color

B-Black

C-Clear

Z-Custom

3 Mounting Options - see graphics for details Combinations available

Ex.order code - 12

means option 1 and 2 combined

Notes:

- Mentioned models are an extraction of full product range.

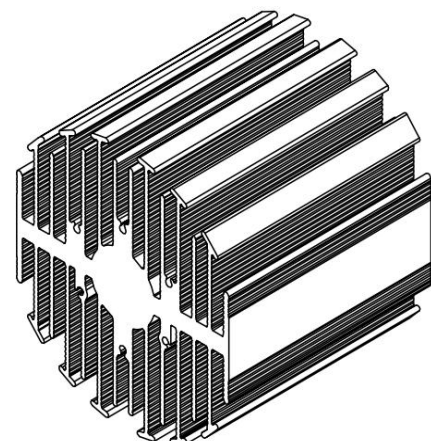
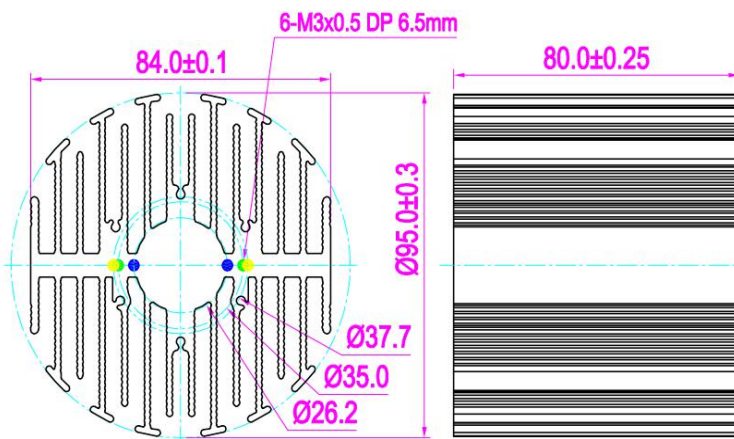
- For specific mechanical adaptations please contact MingfaTech.

- MingfaTech reserves the right to change products or specifications without prior notice.

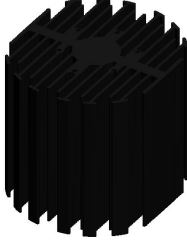
Note : option 2 and option 3 can not be combined



MOUNTING OPTION	Module type	Holder NO.	THREAD	THREAD DEPTH	THREAD HOLE DISTANCE
1	EdiLex II SD (2325)	/	M3	6.5mm	26.2mm/ 2-@180°
2	EdiLex II HM	AAG.STUCCHI (8101-G2) (8102-G2)	M3	6.5mm	35.0mm/ 2-@180°
		BJB (47.319.2021.50) (47.319.2030.50)			
	EdiLex II SLM	/			
3	EdiLex II SD (3537)	/	M3	6.5mm	37.7mm/ 2-@180°



The thermal data table

	 <i>eLED-9580</i>
Model No.	eLED-EDI-9580
Size	Φ95xH80mm
Material	AL6063-T5
Finish	Black Anodized
Weight(gr)	564
Thermal Wattage	49.2W
HeatsinkΘs-a²	170178
Heat Sink T_{Rise Above Ambient}	1.1

Dissipated Power Pd(W)	Pd = Pe x (1- η L)	Heat sink to ambient thermal resistance Rhs-amb ($^{\circ}$ C/W)	Heat sink to ambient temperature rise T _{hs-amb} ($^{\circ}$ C)
		eLED-EDI-9580	
10		1.6	16
20		1.3	26
30		1.2	35
40		1.1	44
50		1.0	52

