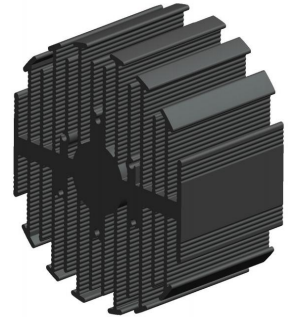


eLED

eLED-LG-9550 LG Innotek Modular Passive Star LED Heat Sink Φ 95mm

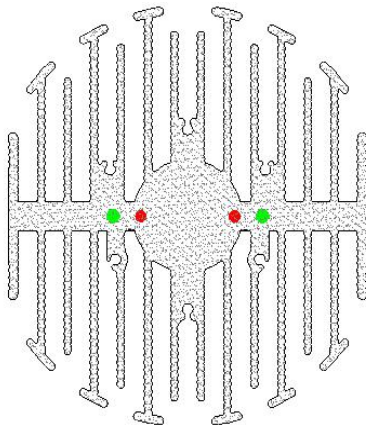
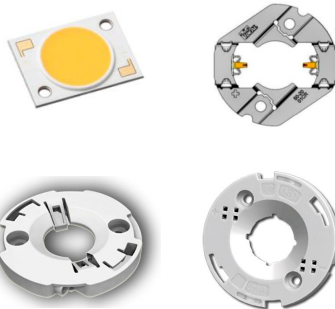
Features VS Benefits

- * The eLED-LG-9550 LG Innotek Modular Passive LED Coolers are specifically designed for luminaires using the LG Innotek LED engines.
- * Mechanical compatibility with direct mounting of the LED engines to the LED cooler and thermal performance matching the lumen packages.
- * For spotlight and downlight designs from 1800 to 4500 lumen.
- * Thermal resistance range R_{th} 1.35°C/W.
- * Modular design with mounting holes foreseen for direct mounting of LG Innotek COB 17W/24W/40W LED engines.
- * Diameter 95mm - standard height 50mm Other heights on request.
- * Extruded from highly conductive aluminum.



Zhaga LED engine and radiator assembly is a unified future international standardization

- * Below you find an overview of LG Innotek engines COB's and LED modules which standard fit on the eLED coolers.
- * In this way mechanical after work and related costs can be avoided, and lighting designers can standardize their designs on a limited number of LED coolers.



LG Innotek LED engines directly Mounting Options

LEMWM 10W COB Modules:

LEMWM18580GGxxxx;
LEMWM18580HGxxxx;
LEMWM18580JGxxxx;
LEMWM18580LGxxxx;
LEMWM18580MGxxxx;

LEMWM 13W COB Modules:

LEMWM18680HGxxxx;
LEMWM18680JGxxxx;
LEMWM18680LGxxxx;
LEMWM18680MGxxxx;

LEMWM 17W COB Modules:

LEMWM18780GGxxxx;
LEMWM18780HGxxxx;
LEMWM18780JGxxxx;
LEMWM18780LGxxxx;
LEMWM18780MGxxxx;

Zhaga Book3 Green indicator marks:

AAG.STUCCHI holder:8600 ;
BJB holder:47.319.2080.50 ;
IDEAL holder:50-2100LG ;
Direct mounting with machine screws M3x6mm;

Red indicator marks:

Direct mounting with machine screws M2.5x6mm;

LEMWM 40W COB Modues :

LEMWM28C80HZxxxx;
LEMWM28C80LZxxxx;

LEMWM 60W COB Modues :

LEMWM28E80HZxxxx;
LEMWM28E80LZxxxx;

Zhaga Book3 Green indicator marks:

AAG.STUCCHI holder:8102 ;
BJB holder:47.319.2021.50 ;
IDEAL holder:50-2204CT ;
Direct mounting with machine screws M3x6mm;

Tel:+86-769-39023131

E-fax:+86-(020)28819702 ext:22122

Email:sales@mingfatech.com

Http://www.heatsinkled.com

Http://www.mingfatech.com



eLED

eLED-LG-9550 LG Innotek Modular Passive Star LED Heat Sink Φ 95mm

Mounting Options and Drawings & Dimensions

Example:eLED-LG-9550-B-1,2

Example:eLED-LG-9550-**1**-**2**-**3**

1 Height (mm)

2 Anodising Color

B-Black

C-Clear

Z-Custom

3 Mounting Options - see graphics

details Combinations available

Ex.order code - 12

means option 1 and 2 combined

Notes:

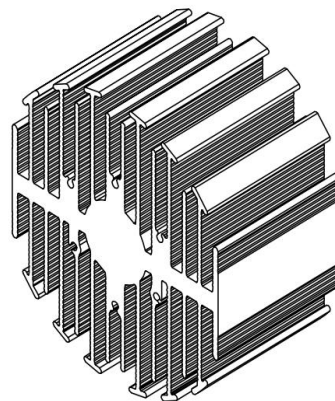
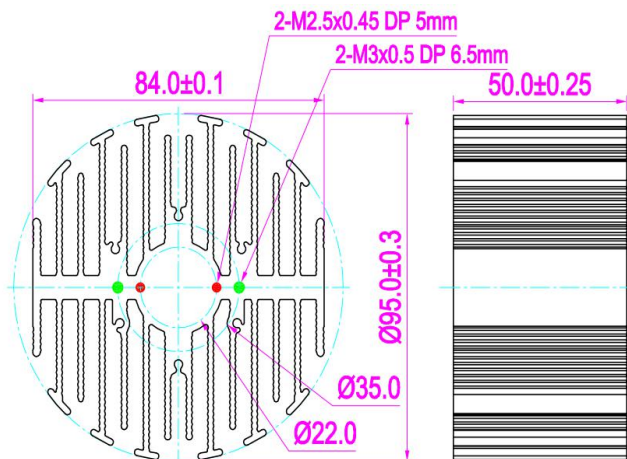
- Mentioned models are an extraction of full product range.

- For specific mechanical adaptations please contact MingfaTech.

- MingfaTech reserves the right to change products or specifications without prior notice.



MOUNTING OPTION	Module type	Holder NO.	THREAD	THREAD DEPTH	THREAD HOLE DISTANCE
1	LEMWM COB 10W/13W/17W	/	M2.5	5mm	22.0mm/ 2-@180°
2	LEMWM COB 17W/24W	BJB: 47.319.2028.50	M3	6.5mm	35.0mm/ 2-@180°
		AAG.STUCCHI: 8600			
		IDEAL: 50-2100LG			
	LEMWM COB 40W	BJB: 47.319.2021.50			
		AAG.STUCCHI: 8102			
		IDEAL: 50-2204CT			



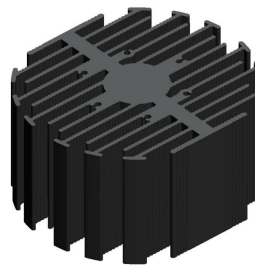
Tel:+86-769-39023131
 E-fax:+86-(020)28819702 ext:22122
 Email:sales@mingfatech.com
 Http://www.heatsinkled.com
 Http://www.mingfatech.com



eLED

eLED-LG-9550 LG Innotek Modular Passive Star LED Heat Sink Φ 95mm

The thermal data table

	 <i>eLED-9550</i>
Model No.	eLED-LG-9550
Size	Φ95xH50mm
Material	AL6063-T5
Finish	Black Anodized
Weight(gr)	353
Thermal Wattage	40.5W
Heatsink Θs-a²	108320
Heat Sink T Rise Above Ambient	1.25

Dissipated Power Pd(W)	Pd = Pe x (1-ηL)	Heat sink to ambient thermal resistance Rhs-amb (°C/W)	Heat sink to ambient temperature rise Ths-amb (°C)
		eLED-LG-9550	
10		1.80	18
20		1.40	28
30		0.97	29
40		1.25	50
50		1.18	59

