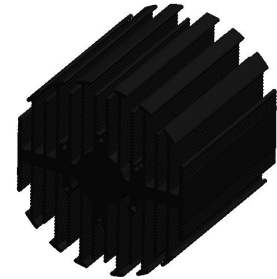


*eLED*

**eLED-SHA-9580 Sharp Modular Passive Star LED Heat Sink  $\phi$ 95mm**

### Features VS Benefits

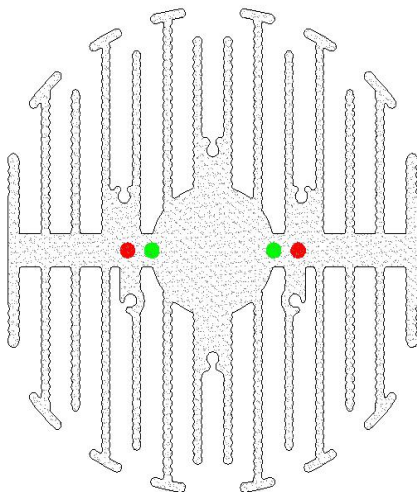
- \* The eLED-SHA-9580 SHARP Modular Passive LED Coolers are specifically designed for luminaires using the SHARP LED engines.
- \* Mechanical compatibility with direct mounting of the LED engines to the LED cooler and thermal performance matching the lumen packages.
- \* For spotlight and downlight designs from 2100 to 5500 lumen.
- \* Thermal resistance range  $R_{th}$  1.1°C/W.
- \* Modular design with mounting holes foreseen for direct mounting of SHARP Tiger Zenigata and Mega Zenigata LED engines.
- \* Diameter 95mm - standard height 80mm Other heights on request.
- \* Extruded from highly conductive aluminum.



### Zhaga LED engine and radiator assembly is a unified future international standardization

- \* Below you find an overview of SHARP engines COB's and LED modular which standard fit on the eLED coolers.
- \* In this way mechanical after work and related costs can be avoided, and lighting designers can standardize their designs on a limited number of LED coolers.

# SHARP



### Sharp LED Modules Mounting indicator marks overview

#### Mega Zenigata modules name:

GW6TGCBG40C;	GW6DMA27XFC;
GW6DGA27XFC;	GW6DMA30XFC;
GW6DGA30XFC;	GW6DMA35XFC;
GW6DGA40XFC;	GW6DMA40XFC;
GW6DGA50XFC;	GW6DMA50XFC;
GW6DGC27XFC;	GW6DMC27XFC;
GW6DGC30XFC;	GW6DMC30XFC;
GW6DGC40XFC;	GW6DMC40XFC;
GW6DGC50XFC;	GW6DMC50XFC;
GW6DGD27XFC;	GW6DMD27XFC;
GW6DGD30XFC;	GW6DMD30XFC;
GW6DGD40XFC;	GW6DMD40XFC;
GW6DGD50XFC;	GW6DMD50XFC;
GW6DGE27XFC;	GW6DME27XFC;
GW6DGE30XFC;	GW6DME30XFC;
GW6DGE40XFC;	GW6DME40XFC;
GW6DGE50XFC;	GW6DME50XFC;

Zhaga Book3 Holders:  
 BJB Spotlight connector:47.319.2011.50;  
 TE Connectivity:2213130-2  
 Direct mounting with machine screws M3x8mm;  
 Red indicator marks



eLED

eLED-SHA-9580 Sharp Modular Passive Star LED Heat Sink  $\Phi 95\text{mm}$

## Mounting Options and Drawings & Dimensions

Example:eLED-SHA-9580-B-1

Example:eLED-SHA-9580-1-2-3

- 1** Height (mm)
- 2** Anodising Color  
B-Black  
C-Clear  
Z-Custom
- 3** Mounting Options - see graphics for details Combinations available  
Ex.order code - 12  
means option 1 and 2 combined

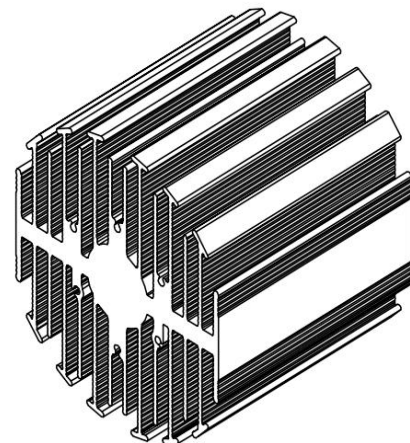
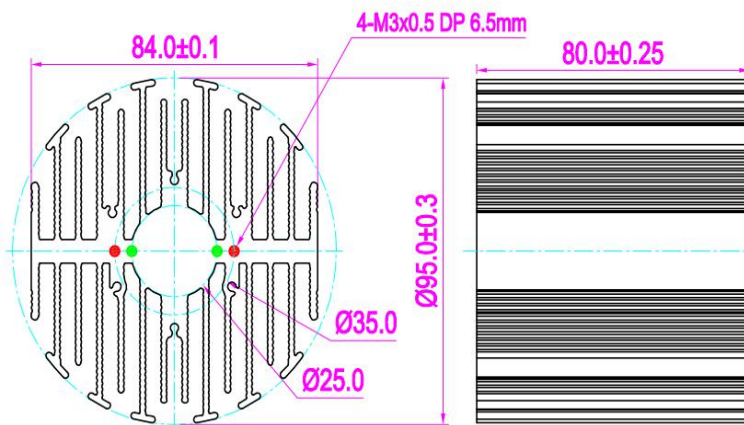
# SHARP



### Notes:

- Mentioned models are an extraction of full product range.
- For specific mechanical adaptations please contact MingfaTech.
- MingfaTech reserves the right to change products or specifications without prior notice.

MOUNTING OPTION	Module type	Holder NO.	THREAD	THREAD DEPTH	THREAD HOLE DISTANCE
1	Mini ZENIGATA	BJB:47.319.6180.50	M3	6.5mm	25.0mm/ @180° Zhaga Book11
2	Mega ZENIGATA Tiger Zenigataand	BJB:47.319.2011.50	M3	6.5mm	35.0mm/ @180° Zhaga Book3
		Type :2213130-2			



eLED

eLED-SHA-9580 Sharp Modular Passive Star LED Heat Sink  $\Phi$ 95mm

The thermal data table

	 <i>eLED-9580</i>
<b>Model No.</b>	<b>eLED-SHA-9580</b>
<b>Size</b>	<b><math>\Phi</math>95xH80mm</b>
<b>Material</b>	<b>AL6063-T5</b>
<b>Finish</b>	<b>Black Anodized</b>
<b>Weight(gr)</b>	<b>564</b>
<b>Thermal Wattage</b>	<b>49.2W</b>
<b>Heatsink<math>\Theta</math>s-a<sup>2</sup></b>	<b>170178</b>
<b>Heat Sink T Rise Above Ambient</b>	<b>1.1</b>

Dissipated Power Pd(W)	Pd = Pe x (1- $\eta$ L)	
	Heat sink to ambient thermal resistance Rhs-amb ( $^{\circ}$ C/W)	Heat sink to ambient temperature rise T <sub>hs-amb</sub> ( $^{\circ}$ C)
	eLED-SHA-9580	
10	1.6	16
20	1.3	26
30	1.2	35
40	1.1	44
50	1.0	52

