



for

LED

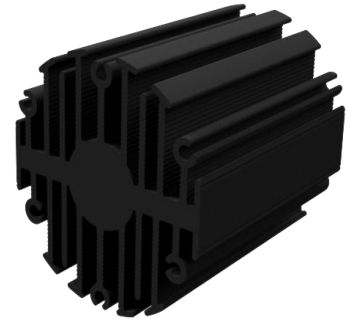


eLED

eLED-SAM-4650 Samsung Modular Passive Star LED Heat Sink  $\Phi$ 46mm

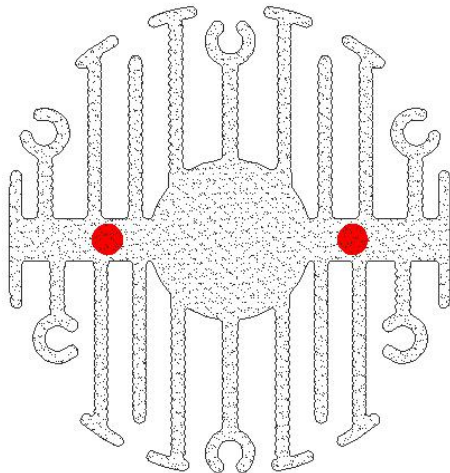
### Features VS Benefits

- \* The eLED-SAM-4650 Samsung Modular Passive Star LED Heat Sinks are specifically designed for luminaires using the Samsung LED engines.
- \* Mechanical compatibility with direct mounting of the LED engines to the LED cooler and thermal performance matching the lumen packages.
- \* For spotlight and downlight designs from 450 to 1200 lumen.
- \* Thermal resistance range  $R_{th}$  5.0°C/W.
- \* Modular design with mounting holes foreseen for direct mounting of Samsung COB LED engines.
- \* Diameter 46.5mm - standard height 50mm Other heights on request.
- \* Extruded from highly conductive aluminum.



### Zhaga LED engine and radiator assembly is a unified future international standardization

- \* Below you find an overview of Samsung COB's and LED modules which standard fit on the eLED Star LED Heat Sinks.
- \* In this way mechanical after work and related costs can be avoided, and lighting designers can standardize their designs on a limited number of Star LED Heat Sinks.



### Samsung LED Modules Mounting indicator marks overview

For the LC013 B LED engines.

- SPHWW1HDNA27YHW31F;
- SPHWW1HDNA27YHV31F;
- SPHWW1HDNA27YHU31F;
- SPHWW1HDNA27YHT31F;
- SPHWW1HDNA25YHW31F;
- SPHWW1HDNA25YHV31F;
- SPHWW1HDNA25YHU31F;
- SPHWW1HDNA25YHT31F;
- SPHCW1HDNA25YHRT1F;

Direct mounting with machine screws M3x6mm;  
Red indicator marks.

eLED

eLED-SAM-4650 Samsung Modular Passive Star LED Heat Sink  $\Phi$ 46mm

Mounting Options and Drawings & Dimensions

Example:eLED-SAM-4650-B-1

Example:eLED-SAM-4650-**1**-**2**-**3**

**1** Height (mm)

**2** Anodising Color

B-Black

C-Clear

Z-Custom

**3** Mounting Options - see graphics for details Combinations available

Ex.order code - 12

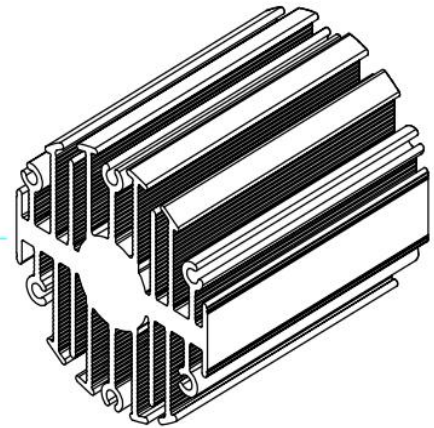
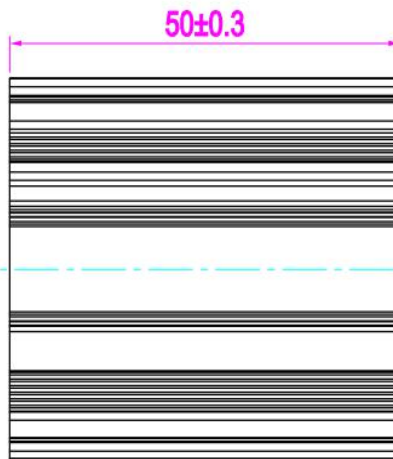
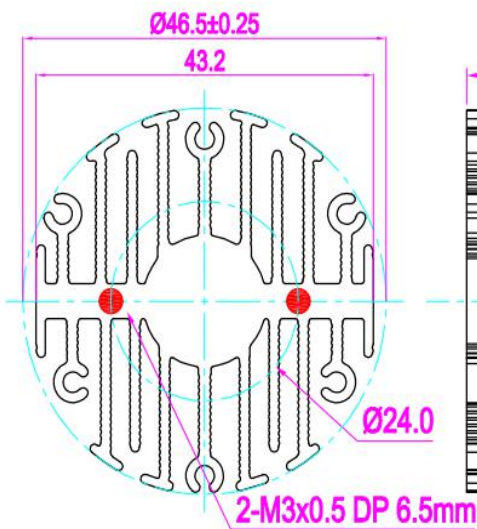
means option 1 and 2 combined

Notes:

- Mentioned models are an extraction of full product range.
- For specific mechanical adaptations please contact MingfaTech.
- MingfaTech reserves the right to change products or specifications without prior notice.



MOUNTING OPTION	Module type	Holder NO.	THREAD	THREAD DEPTH	THREAD HOLE DISTANCE
1	LC013	/	M3	6.5mm	24.0mm/ 2-@180°



eLED

eLED-SAM-4650 Samsung Modular Passive Star LED Heat Sink  $\Phi$ 46mm

The thermal data table

	 <i>eLED-4650</i>
<b>Model No.</b>	<b>eLED-SAM-4650</b>
<b>Size</b>	<b><math>\Phi</math>46.5xH50mm</b>
<b>Material</b>	<b>AL6063-T5</b>
<b>Finish</b>	<b>Black Anodized</b>
<b>Weight(g)</b>	<b>101.0</b>
<b>Thermal Wattage</b>	<b>10.0W</b>
<b>HeatsinkOs-a<sup>2</sup></b>	<b>41280</b>
<b>Heat Sink T Rise Above Ambient</b>	<b>5.0</b>

Dissipated Power Pd(W)	Pd = Pe x (1- $\eta$ L)	Heat sink to ambient thermal resistance Rhs-amb ( $^{\circ}$ C/W)	Heat sink toambienttemperature riseThs-amb ( $^{\circ}$ C)
		eLED-SAM-4650	
	3	5.67	17
	6	5.50	33
	9	5.22	47
	12	4.83	58
	15	4.33	65

