



for

LED



*SimpLED*

**SimpLED-CIT-13580 for Citizen Modular Passive LED Cooler  $\Phi$ 135mm**

**Features VS Benefits**

- \* The SimpLED-13580 Citizen Modular Passive LED Coolers are specifically designed for luminaires using the Citizen LED engines.
- \* Mechanical compatibility with direct mounting of the LED engines to the LED cooler and thermal performance matching the lumen packages.
- \* For spotlight and downlight designs from 2400 to 8000 lumen.
- \* Thermal resistance range Rth 0.71C/W.
- \* Modular design with mounting holes foreseen for direct mounting of Citizen CLL030、CLL032、CLU034 and CLU044 COB engines.
- \* Diameter 135mm - standard height 80mm Other heights on request.
- \* Extruded from highly conductive aluminum.



**Citizen LED engine and radiator assembly directly Mounting Options**

- \* Below you find an overview of Citizen COB's which standard fit on the SimpLED coolers.
- \* In this way mechanical after work and related costs can be avoided, and lighting designers can standardize their designs on a limited number of LED coolers.



**Citizen LED Modules Mounting indicator marks overview**

**CLL030,CLL032,CLU034 LED Modules:**

- |                        |                        |
|------------------------|------------------------|
| CLL030-1212A5-50xxxx ; | CLL032-1212A5-50xxxx ; |
| CLL030-1212A5-40xxxx ; | CLL032-1212A5-40xxxx ; |
| CLL030-1212A5-35xxxx ; | CLL032-1212A5-35xxxx ; |
| CLL030-1212A5-30xxxx ; | CLL032-1212A5-30xxxx ; |
| CLL030-1212A5-27xxxx ; | CLL032-1212A5-27xxxx ; |
| CLU034-1208B8-50xxxx ; |                        |
| CLU034-1208B8-40xxxx ; |                        |
| CLU034-1208B8-35xxxx ; |                        |
| CLU034-1208B8-30xxxx ; |                        |
| CLU034-1208B8-27xxxx ; |                        |

With Zhaga Book 3 LED holder  
 BJB Spotlight connector 47.319.2030.50  
 Mounting with 2 screws M3 x 8mm  
 Green indicator marks  
 Direct mounting with 2 screws M3 x 6mm  
 Blue indicator marks

**Citizen CLL040 Modules:**

- |                      |                        |                        |
|----------------------|------------------------|------------------------|
| CLL040-xxxxx-xxxxx ; | CLL042-1218A5-50xxxx ; | CLU044-1812B8-50xxxx ; |
| CLL040-xxxxx-xxxxx ; | CLL042-1218A5-40xxxx ; | CLU044-1812B8-40xxxx ; |
| CLL040-xxxxx-xxxxx ; | CLL042-1218A5-35xxxx ; | CLU044-1812B8-35xxxx ; |
| CLL040-xxxxx-xxxxx ; | CLL042-1218A5-30xxxx ; | CLU044-1812B8-30xxxx ; |
| CLL040-xxxxx-xxxxx ; | CLL042-1218A5-27xxxx ; | CLU044-1812B8-27xxxx ; |

With Zhaga Book 3 LED holder  
 BJB Spotlight connector 47.319.2030.50  
 Mounting with 2 screws M3 x 8mm  
 Green indicator marks  
 Direct mounting with 2 screws M3 x 6mm  
 Red indicator marks

**Citizen CLL050 CLL052 CLU054 Modules:**

- |                        |                        |
|------------------------|------------------------|
| CLL050-1825A1-50xxxx ; | CLL052-1825B1-30xxxx ; |
| CLL052-1825B1-40xxxx ; | CLL052-1825B1-27xxxx ; |
| CLL052-1825B1-35xxxx ; |                        |

Direct mounting with 2 screws M3 x 6mm  
 yellow indicator marks





for

LED



*SimpLED*

SimpLED-CIT-13580 for Citizen Modular Passive LED Cooler  $\Phi$ 135mm

**Mounting Options and Drawings & Dimensions**

Example: SimpLED-CIT-13580-B-3

Example: SimpLED-CIT-135 **1** - **2** - **3**

**1** Height (mm)

**2** Anodising Color

B-Black

C-Clear

Z-Custom

**3** Mounting Options - see graphics for details Combinations available

Ex.order code - 12

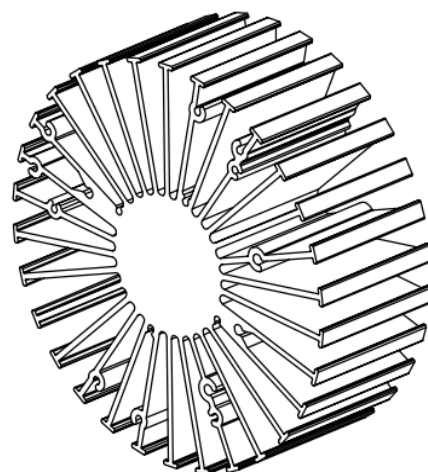
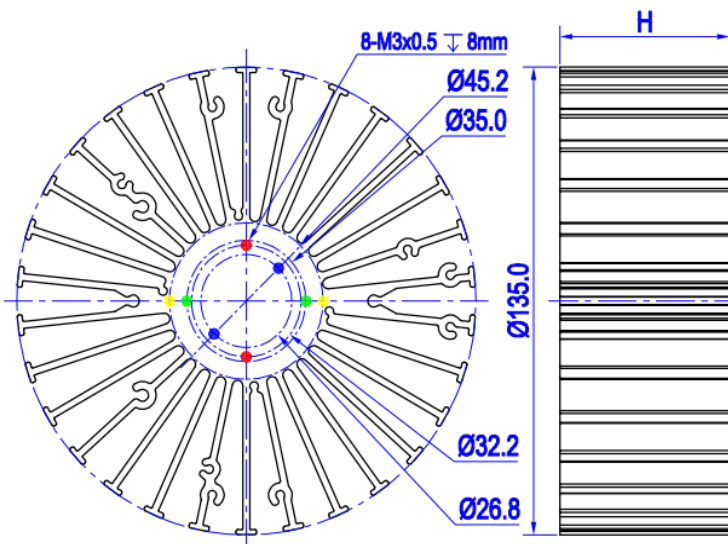
means option 1 and 2 combined



**Notes:**

- Mentioned models are an extraction of full product range.
- For specific mechanical adaptations please contact MingfaTech.
- MingfaTech reserves the right to change products or specifications without prior notice.

MOUNTING OPTION	Module type	Holder NO.	THREAD	THREAD DEPTH	THREAD HOLE DISTANCE
1	CLL030-032 CLU034	/	M3	6mm	26.8mm/ 2-@180°
2	CLL040-042 CLU044	/	M3	6mm	32.2mm/ 2-@180°
3	CLL030-032 CLU034	BJB:47.319.2020.50 Zhaga Book3	M3	6mm	35mm/ 2-@180° Zhaga Book3
	CLL040-042 CLU044	BJB:47.319.2030.50 Zhaga Book3			
4	CLL050-052 CLU054	/	M3	6mm	45.2mm/ 2-@180°



Tel: +86-769-39023131  
 E-fax: +86-(020)28819702 ext:22122  
 Email:sales@mingfatech.com  
 Http://www.heatsinkled.com  
 Http://www.mingfatech.com



*SimpoleD*

**SimpoleD-CIT-13580 for Citizen Modular Passive LED Cooler  $\Phi$ 135mm**

The thermal data table

	 <i>SimpoleD-13580</i>
<b>Model No.</b>	<b>SimpoleD-CIT-13580</b>
<b>Size</b>	<b><math>\Phi</math>135xH80mm</b>
<b>Material</b>	<b>AL6063-T5</b>
<b>Finish</b>	<b>Black Anodized</b>
<b>Weight(g)</b>	<b>1020.0</b>
<b>Thermal Wattage</b>	<b>69.8W</b>
<b>Heatsink<math>\Theta</math>s-a<sup>2</sup></b>	<b>243322</b>
<b>Heat Sink T Rise Above Ambient</b>	<b>0.71</b>

	Pd = Pe x (1- $\eta$ L)	Heat sink to ambient thermal resistance Rhs-amb ( $^{\circ}$ C/W)	Heat sink to ambient temperature rise Ths-amb ( $^{\circ}$ C)
		SimpoleD-CIT-13580	SimpoleD-CIT-13580
Dissipated Power Pd(W)	15	0.86	13.0
	30	0.74	22.4
	45	0.68	30.8
	60	0.64	38.6
	75	0.61	46.0
	90	0.59	53.1

