



for

LED

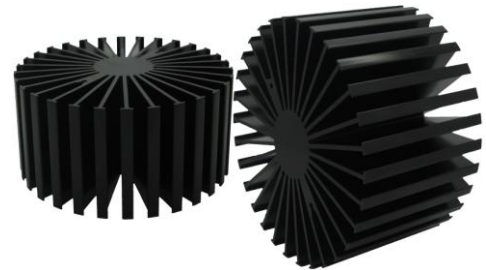


SimpoleD

SimpoleD-CRE-11750 for Cree Modular Passive LED Cooler Φ 117mm

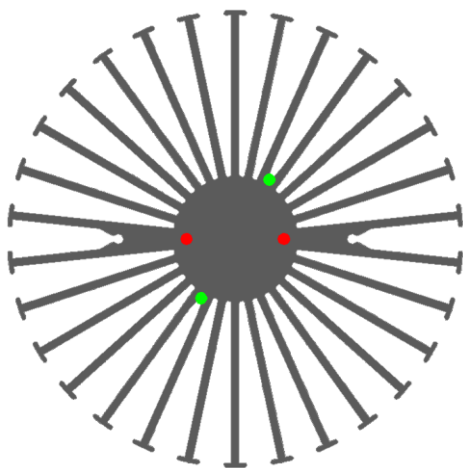
Features VS Benefits

- * The SimpoleD-CRE11750 Cree Modular Passive LED Coolers are specifically designed for luminaires using the Cree LED engines.
- * Mechanical compatibility with direct mounting of the LED engines to the LED cooler and thermal performance matching the lumen packages.
- * For spotlight and downlight designs from 1700 to 5700 lumen.
- * Thermal resistance range Rth 0.9°C/W.
- * Modular design with mounting holes foreseen for direct mounting of Cree Lxamp CXA1310, CXA1507,1512,1520, CXA1816,1820 ,1830,1850, CXA2520,2530 LED Array COB engines
- * Diameter 117mm - standard height 50mm Other heights on request.
- * Extruded from highly conductive aluminum.



Zhaga LED engine and radiator assembly is a unified future international standardization

- * Below you find an overview of Cree COB's which standard fit on the SimpoLED coolers.
- * In this way mechanical after work and related costs can be avoided, and lighting designers can standardize their designs on a limited number of LED coolers.



Zhaga Book3 Spot Light LED engines
LED COB's for which Zhaga book3 LED Modules holders are available
Cree LED Modules and Ideal, BJB holders:
Cree Lxamp CXA1830 LED Modules: (Ideal Holder:50-2001CR)
 Maximum drive current optional: 1400mA;

Cree Lxamp CXA1850 LED Modules: (Ideal Holder:50-2101CR), (BJB Holder:47.319.2131.50)
 Maximum drive current optional: 1700mA;

Cree Lxamp CXA2530 LED Modules: (Ideal Holder:50-2102CR), (BJB Holder:47.319.2141.50)
 Maximum drive current optional: 1600mA;

Cree Lxamp CXA2540 LED Modules: (Ideal Holder:50-2102CR), (BJB Holder:47.319.2141.50)
 Maximum drive current optional: 1500mA;

Please refer to the data files on www.idealindustries.com, which is the detail of Ideal holders application guide

Zhaga Book3 Green indicator marks:
Direct mounting with machine screws M3x6mm;
Green indicator marks.

Please refer to the www.cree.com data provided on the manual.



SimpoleD

SimpoleD-CRE-11750 for Cree Modular Passive LED Cooler Φ 117mm

Mounting Options and Drawings & Dimensions

Example: SimpoleD-CRE-11750-B-1,2

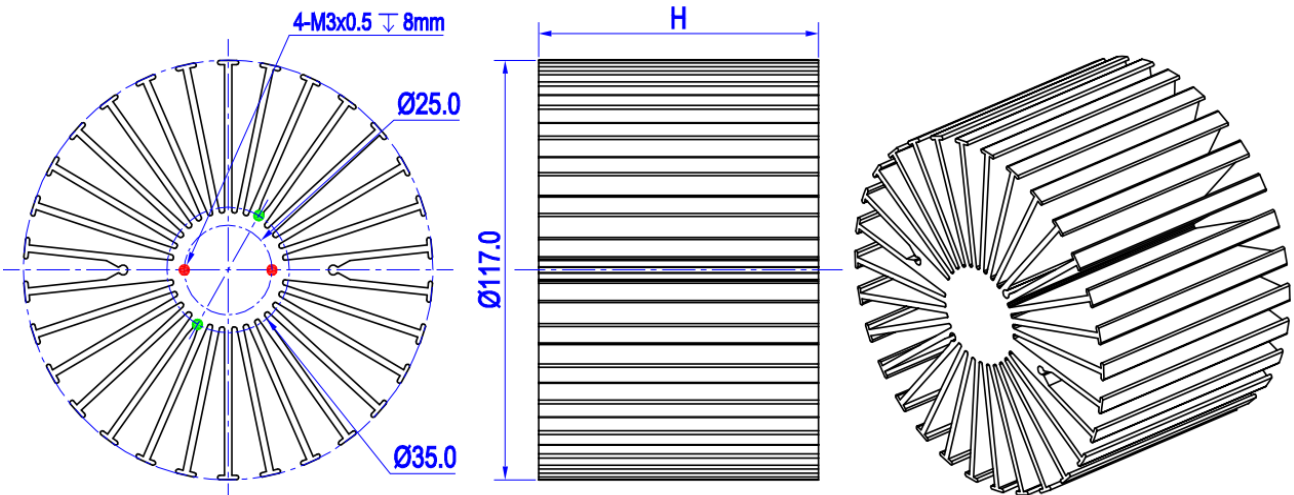
Example: SimpoleD-CRE-117 **1** - **2** - **3**

- 1** Height (mm)
- 2** Anodising Color
B-Black
C-Clear
Z-Custom
- 3** Mounting Options - see graphics for details Combinations available
Ex.order code - 12
means option 1 and 2 combined

Notes:
 - Mentioned models are an extraction of full product range.
 - For specific mechanical adaptations please contact MingfaTech.
 - MingfaTech reserves the right to change products or specifications without prior notice.



MOUNTING OPTION	Module type	Holder NO.	THREAD	THREAD DEPTH	THREAD HOLE DISTANCE
1	CXA-13xx	BJB: 47.319.6120.50 IDEAL:50-2000CR	M3	6mm	25mm/ 2-@180° Zhaga Book11
2	CXA-15xx ;	BJB: 47.319.6101.50 IDEAL:50-2001CR	M3	6mm	35mm/ 2-@180° Zhaga Book3
	CXA18XX ;	BJB:47.319.2130.50 IDEAL:50-2101CR			
	CXA1830 ;	BJB:50-2001CR			
	CXA25xx ;	BJB:47.319.2140.50 IDEAL:50-2102CR			
	CXA30xx ;	BJB:47.319.2150.50 IDEAL:50-2234C			
	CXA35xx ;	IDEAL:50-2303CR			



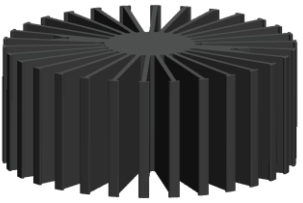
Tel: +86-769-39023131
 E-fax: +86-(020)28819702 ext:22122
 Email:sales@mingfatech.com
 Http://www.heatsinkled.com
 Http://www.mingfatech.com



SimpoleD

SimpoleD-CRE-11750 for Cree Modular Passive LED Cooler Φ 117mm

The thermal data table

	 <i>SimpoleD-11750</i>
Model No.	SimpoleD-CRE-11750
Size	Φ117xH50mm
Material	AL6063-T5
Finish	Black Anodized
Weight(gr)	484.0
Thermal Wattage	49.2W
HeatsinkΘs-a²	147370
Heat Sink T Rise Above Ambient	0.9

Dissipated Power Pd(W)	Pd = Pe x (1- η L)	Heat sink to ambient thermal resistance Rhs-amb (°C/W)	Heat sink to ambient temperature rise Ths-amb (°C)
		SimpoleD-CRE-11750	SimpoleD-CRE-11750
8		1.35	10.8
16		1.16	18.5
24		1.05	25.3
32		0.98	31.5
40		0.94	37.5
48		0.90	43.0
56		0.88	49.0

