

EtraLED

EtraLED-PRO-7080 Prolight Modular Passive Star LED Heat Sink Φ 70mm

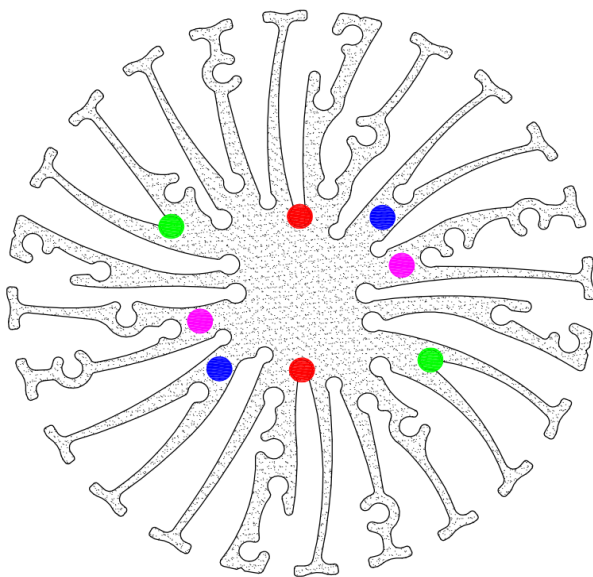
Features VS Benefits

- * The EtraLED-PRO-7080 Prolight Modular Passive LED Coolers are specifically designed for luminaires using the Prolight LED engines.
- * Mechanical compatibility with direct mounting of the LED engines to the LED cooler and thermal performance matching the lumen packages.
- * For spotlight and downlight designs from 800 to 3700 lumen.
- * Thermal resistance range R_{th} 1.8°C/W.
- * Modular design with mounting holes foreseen for direct mounting of Prolight CI Series, CII SERIRS, BI SERIRS, BS SERIRS and N SERIRS engines.
- * Diameter 70mm - standard height 80mm Other heights on request.
- * Extruded from highly conductive aluminum.



Prolight LED engine and radiator assembly directly Mounting Options

- * Below you find an overview of Prolight COB's and LED modules which standard fit on the EtraLED Star LED Heat Sinks.
- * In this way mechanical after work and related costs can be avoided, and lighting designers can standardize their designs on a limited number of LED coolers.



Prolight LED Spotlight COB engines Mounting Options

COB CI Series Modules names:

- PACB-5xxx-xxxx ;
- PACB-7xxx-xxxx ;
- PACB-9xxx-xxxx ;

Pink indicator marks: Zhaga Book 11 BJB Holder:47.319.6060.50;
 Green indicator marks: Zhaga Book3 BJB Holder:47.319.2040.50
 Mounting with machine screws M3x8mm ;
 Red indicator marks ;
 Direct mounting machine screws M3x6mm ;

COB BI SERIRS Module names:

- PABA-10xxx-xxxx ;
- PABA-15xxx-xxxx ;
- PABA-22xxx-xxxx ;
- PABA-26xxx-xxxx ;

Green indicator marks: Zhaga Book3 BJB Holder:47.319.2040.50;
 Mounting with machine screws M3x8mm;
 Blue indicator marks:
 Direct mounting with machine screws M3x6mm;

COB BS SERIRS Modlue names:

- PABS-6xxx-xxxx ;
- PABS-9xxx-xxxx ;

Red indicator marks:
 Direct mounting with machine screws M3x6mm;

COB N SERIRS Module names:

- PANA-10xxx-xxxx ;
- PANA-12xxx-xxxx ;
- PANA-17xxx-xxxx ;
- PANA-24xxx-xxxx ;

Blue indicator marks:
 Direct mounting with machine screws M3x6mm;

COB CII SERIRS Modules names:

- PACC-18xxx-xxxx ;

Blue indicator marks:
 Direct mounting with machine screws M3x6mm;



for

LED



EtraLED

EtraLED-PRO-7080 Prolight Modular Passive Star LED Heat Sink $\Phi 70\text{mm}$

Mounting Options and Drawings & Dimensions

Example: EtraLED-PRO-7080-B-3

Example: EtraLED-PRO-70 **1** - **2** - **3**

1 Height (mm)

2 Anodising Color

B-Black

C-Clear

Z-Custom

3 Mounting options;

On request;

Mounting holes, cable holes;

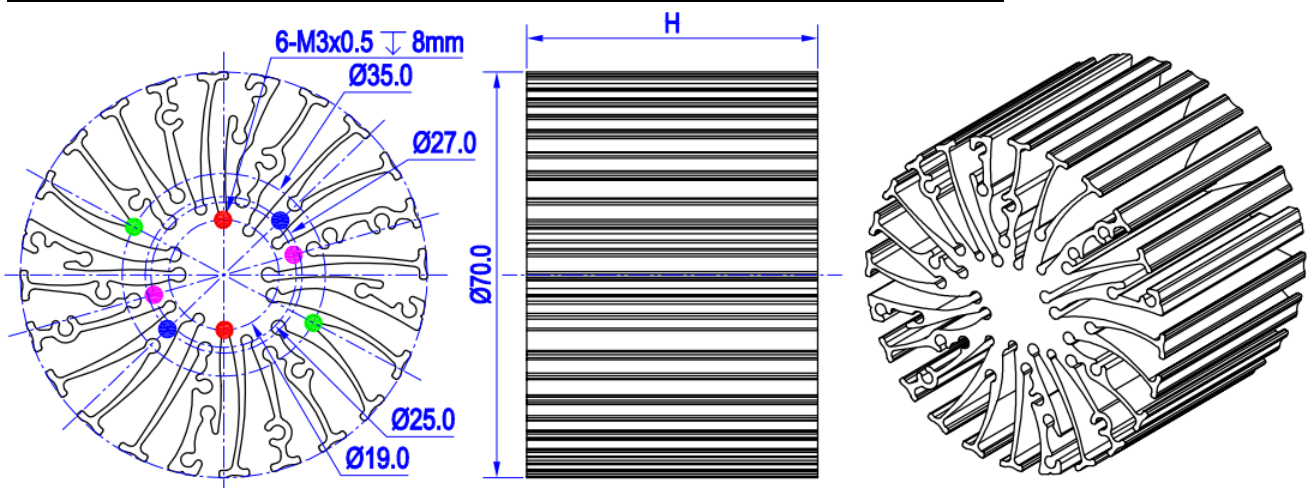
Screw thread, thermal interface pad.

Notes:

- Mentioned models are an extraction of full product range.
- For specific mechanical adaptations please contact MingfaTech.
- MingfaTech reserves the right to change products or specifications without prior notice.



MOUNTING OPTION	Module type	Holder NO.	THREAD	THREAD DEPTH	THREAD HOLE DISTANCE
1	COB CI Series COB BS SERIRS	/	M3	6mm	19mm/ 2-@180°
2	COB CI Series	BJB:47.319.6060.50	M3	6mm	25mm/ 2-@180° Zhaga Book 11
3	COB N SERIRS COB BI SERIRS COB CII SERIRS	/	M3	6mm	27mm/ 2-@180°
4	COB CI Series COB BI SERIRS	BJB:47.319.2040.50	M3	6mm	35mm/ 2-@180° Zhaga Book3



EtraLED

EtraLED-PRO-7080 Prolight Modular Passive Star LED Heat Sink Φ70mm

The thermal data table

	
	<i>EtraLED-7080</i>
Model No.	EtraLED-PRO-7080
Size	Φ70xH80mm
Material	AL6063-T5
Finish	Black Anodized
Weight(gr)	308.0
Thermal Wattage	28.1W
HeatsinkΘs-a²	124837
Heat Sink T_{Rise} Above Ambient	1.8

Dissipated Power Pd(W)	Pd = Pe x (1-ηL)	Heat sink to ambient thermal resistance Rhs-amb (°C/W)	Heat sink to ambient temperature rise Ths-amb (°C)
		EtraLED-PRO-7080	EtraLED-PRO-7080
5		2.80	13.00
10		2.35	24.00
15		2.15	32.00
20		1.92	39.00
30		1.80	53.00

