

SimpOLED

SimpOLED-LUME-11750 for Lumens Modular Passive LED Cooler Φ 117mm

Features VS Benefits

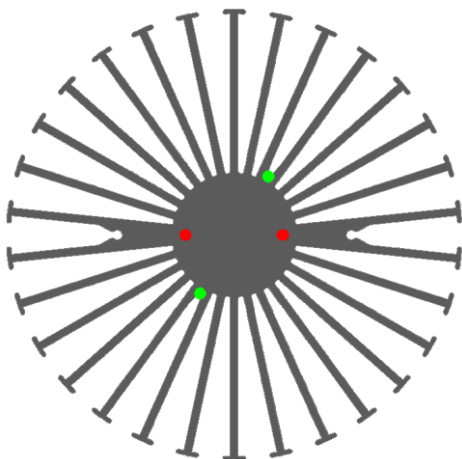
- * The SimpOLED-LUME-11750 Lumens Modular Passive LED Coolers are specifically designed for luminaires using the Lumens LED engines.
- * Mechanical compatibility with direct mounting of the LED engines to the LED cooler and thermal performance matching the lumen packages.
- * For spotlight and downlight designs from 1500 to 5600 lumen.
- * Thermal resistance range R_{th} 0.92°C/W.
- * Modular design with mounting holes foreseen for direct mounting of Lumens ERC1820, ERC2530, ERC2540 and ERC3050 LED engines.
- * Diameter 117mm - standard height 50mm Other heights on request.
- * Extruded from highly conductive aluminum.



Lumens LED engine and radiator assembly directly Mounting Options

- * Below you find an overview of Lumens COB's and LED modules which standard fit on the SimpOLED coolers.
- * In this way mechanical after work and related costs can be avoided, and lighting designers can standardize their designs on a limited number of LED coolers.

LUMENS



Lumens LED engines for which Zhaga LED Modules holders are available.

For the ERC2530/2540 LED engines.

- | | |
|----------------|----------------|
| ERC2530S8xxHE; | ERC2540S8xxHE; |
| ERC2530S9xxHE; | ERC2540S9xxHE; |

Mounting with machine screws M3x8mm;
With Zhaga Book 3 LED holder for gree indicator marks.
(Ideal Holder:50-2102CR);
(BJB Holder:47.319.2141.50);
(AAG.STUCCHI holder:8401-G2);

For the ERC1820 LED engines.

- | |
|----------------|
| ERC1820S8xxHE; |
| ERC1820S9xxHE; |

Mounting with machine screws M3x8mm;
NO.1:With Zhaga Book 3 LED holder for gree indicator marks.
(Ideal Holder:50-2101CR);
(BJB holder:47.319.2131.50);
NO.2:Without the LED holder for rde indicator marks.

For the ERC3050 LED engines.

- | |
|----------------|
| ERC3050S8xxHE; |
| ERC3050S9xxHE; |

Mounting with machine screws M3x8mm;
With Zhaga Book 3 LED holder for gree indicator marks.
(Ideal Holder:50-2234C);
(BJB holder:47.319.2151.50);

Please refer to the www.lumensleds.com data provided on the manual.



LED



SimpLED

SimpLED-LUME-11750 for Lumens Modular Passive LED Cooler Φ 117mm

Mounting Options and Drawings & Dimensions

Example: SimpLED-LUME-11750-B-1

Example: SimpLED-LUME-117 **1** - **2** - **3**

1 Height (mm)

2 Anodising Color
 B-Black
 C-Clear
 Z-Custom

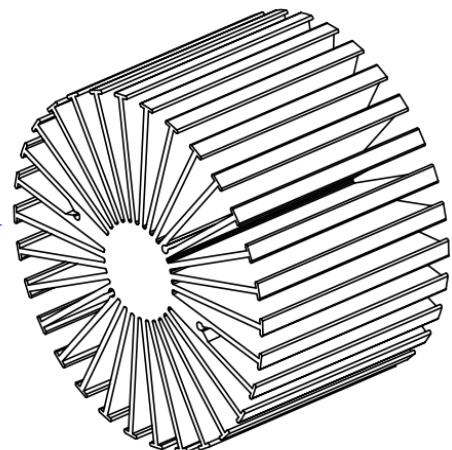
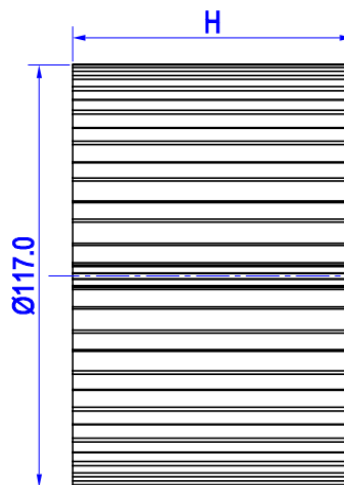
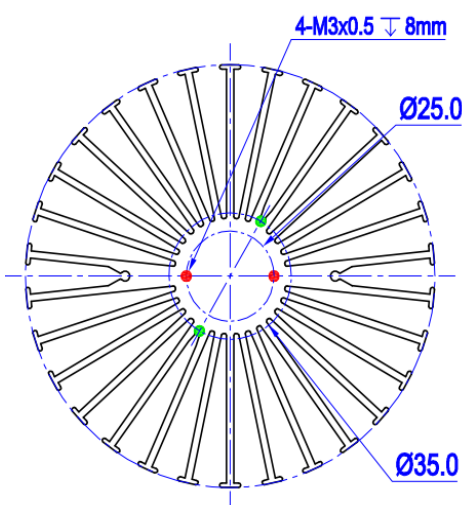
3 Mounting Options - see graphics for details
 Combinations available
 Ex.order code - 12
 means option 1 and 2 combined

Notes:

- Mentioned models are an extraction of full product range.
- For specific mechanical adaptations please contact MingfaTech.
- MingfaTech reserves the right to change products or specifications without prior notice.

MOUNTING OPTION	Module type	Holder NO.	THREAD	THREAD DEPTH	THREAD HOLE DISTANCE
1	ERC1820	/	M3	8mm	25.0mm/ 2-@150°
2	ERC2530 ERC2540	Ideal 50-2102CR	M3	8mm	35.0mm/ 2-@150°
		BJB 47.313.2141.50			
	AAG. 8401-G2				
	ERC3050				
		Ideal 50-2234C			
		BJB 47.313.2131.50			

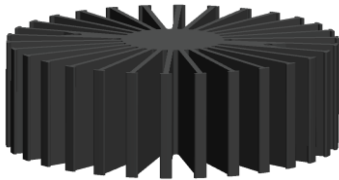
LUMENS



SimpoleD

SimpoleD-LUME-11750 for Lumens Modular Passive LED Cooler $\Phi 117\text{mm}$

The thermal data table

	 <i>SimpoleD-11750</i>
Model No.	SimpoleD-LUME-11750
Size	$\Phi 117 \times H50\text{mm}$
Material	AL6063-T5
Finish	Black Anodized
Weight(g)	484.0
Thermal Wattage	49.2W
Heatsink Θ_{s-a^2}	147370
Heat Sink $T_{\text{Rise Above Ambient}}$	0.92

	Pd = Pe x (1-ηL)	Heat sink to ambient thermal resistance Rhs-amb (°C/W)	Heat sink to ambient temperature rise Ths-amb (°C)
		SimpoleD-LUME-11750	SimpoleD-LUME-11750
Dissipated Power Pd(W)	8.0	1.35	10.8
	16.0	1.16	18.5
	24.0	1.05	25.3
	32.0	0.98	31.5
	40.0	0.94	37.5
	48.0	0.90	43.0
	56.0	0.88	49.0

