



for

LED

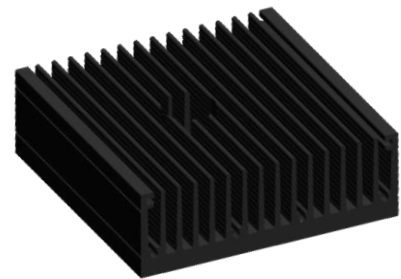


tLED

tLED-ADU-92x30x92 for Adura Modular Passive LED Cooler

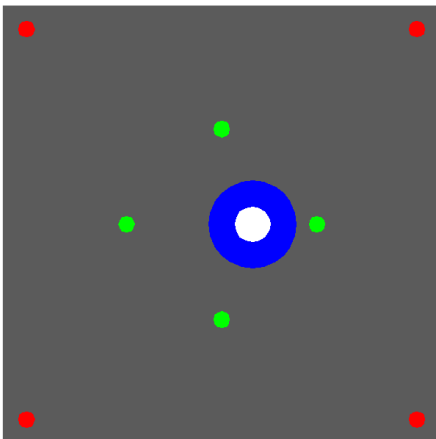
Features VS Benefits

- * The tLED-ADU-92x30x92 Adura Modular Passive LED Coolers are specifically designed for luminaires using the Adura LED engines.
- * Mechanical compatibility with direct mounting of the LED engines to the LED cooler and thermal performance matching the lumen packages.
- * For spotlight and downlight designs from 1600 to 4000 lumen.
- * Thermal resistance range Rth 1.43°C/W.
- * Modular design with mounting holes foreseen for direct mounting of Adura Diamond series LED engines.
- * Size 92x30mm - standard height 92mm Other heights on request.
- * Extruded from highly conductive aluminum.



Adura LED engine and radiator assembly directly Mounting Options

- * Below you find an overview of Adura COB's and LED modules which standard fit on the tLED coolers.
- * In this way mechanical after work and related costs can be avoided, and lighting designers can standardize their designs on a limited number of LED coolers.



Adura LED Modules directly Mounting Options

Diamond series LED engines.

- P/N 1962;
- P/N 1966;
- P/N 1963;
- P/N 1967;
- P/N 12119;
- P/N 12119;
- P/N 12111;
- P/N 12096;

Green indicator marks.

Mounting with machine screws M3x6.0mm;

With LEDIL lens: CS14764;

Red indicator marks.

Mounting with machine screws M3x6.0mm;

Wire holder for the blue marks.

Tel:+86-769-33252828 +86-769-33251919

E-fax:+86-(020)28819702 ext:22122

Email:sales@mingfatech.com

Http://www.heatsinkled.com

Http://www.mingfatech.com



tLED

tLED-ADU-92x30x92 for Adura Modular Passive LED Cooler

Mounting Options and Drawings & Dimensions

Example:tLED-ADU-923092-B-1,2

Example:tLED-ADU-9230 **1** - **2** - **3**

- 1** Height (mm)
- 2** Anodising Color
B-Black
C-Clear
Z-Custom
- 3** Mounting Options - see graphics for details Combinations available
Ex.order code - 12
means option 1 and 2 combined

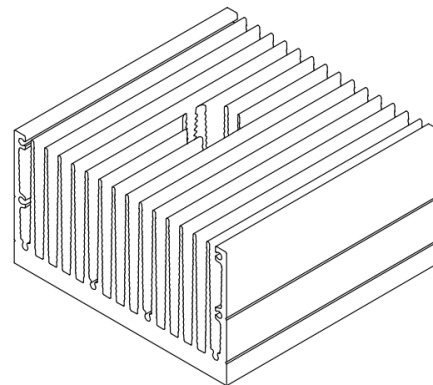
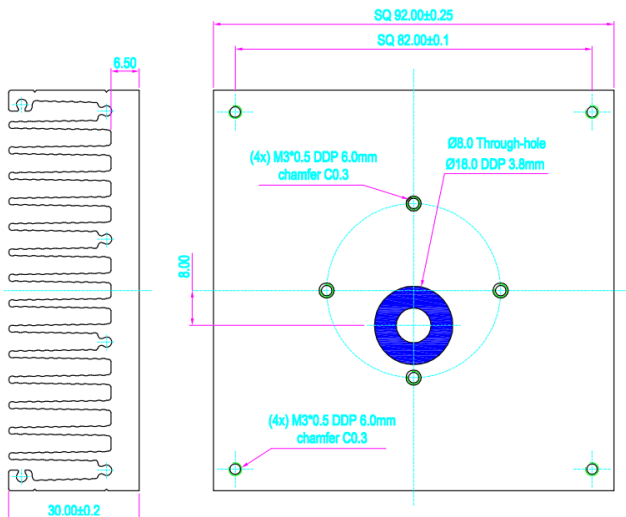


ADURA
LED SOLUTIONS

Notes:

- Mentioned models are an extraction of full product range.
- For specific mechanical adaptations please contact MingfaTech.
- MingfaTech reserves the right to change products or specifications without prior notice.

MOUNTING OPTION	Module type	Holder NO.	THREAD	THREAD DEPTH	THREAD HOLE DISTANCE
N	None	/	None	None	None
1	Diamond series	/	M3	6mm	Φ40mm/ 4-@90°
2	LEDIL Lens	/	M3	6mm	82.0x82.0mm/ 4-@90°
3	Wire Holder	/	Φ8.0 THRU Φ18.0 DP		8.0mm



tLED

tLED-ADU-92x30x92 for Adura Modular Passive LED Cooler

The thermal data table

	
	<i>tLED-92x30x92</i>
Model No.	tLED-ADU-92x30x92
Size	L92xW30xH92.0mm
Material	AL6063-T5
Finish	Black Anodized
Weight(gr)	336
Thermal Wattage	35.5W
HeatsinkOs-a²	90011
Heat Sink T Rise Above Ambient	1.43

Dissipated Power Pd(W)	Pd = Pe x (1-ηL)	Heat sink to ambient thermal resistance Rhs-amb (°C/W)	Heat sink to ambient temperature rise Ths-amb (°C)
	tLED-ADU-92x30x92		
10.0		2.10	21.00
20.0		1.65	33.00
30.0		1.50	45.00
40.0		1.38	55.00
50.0		1.32	66.00

