



for

LED



*GooLED*

**GooLED-BRI-6830 Pin Fin LED Heat Sink  $\Phi$ 68mm for Bridgelux**

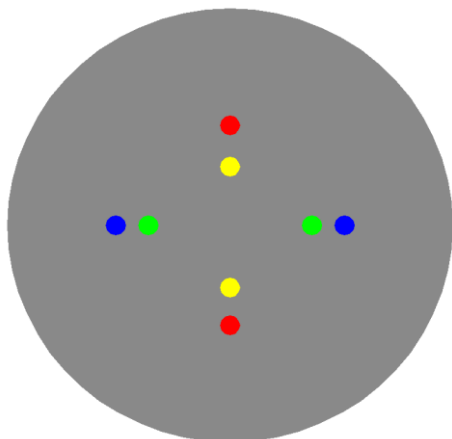
**Features VS Benefits**

- \* The GooLED-BRI-6830 Bridgelux Pin Fin LED Heat Sinks are specifically designed for luminaires using the Bridgelux LED engines.
- \* Mechanical compatibility with direct mounting of the LED engines to the LED cooler and thermal performance matching the lumen packages.
- \* For spotlight and downlight designs from 800 to 2,100 lumen.
- \* Thermal resistance range  $R_{th}$  4.0°C/W.
- \* Modular design with mounting holes foreseen for direct mounting of Bridgelux V Series™, Vero® SE Series, Vero® Series, H Series™ and Vesta™ Series LED engines.
- \* Diameter 68mm - standard height 30mm Other heights on request.
- \* Forged from highly conductive aluminum.



**Zhaga LED engine and radiator assembly is a unified future international standardization**

- \* Below you find an overview of Bridgelux COB's and LED modules which standard fit on the Pin Fin LED Heat Sinks.
- \* In this way mechanical after work and related costs can be avoided, and lighting designers can standardize their designs on a limited number of LED Pin Fin LED Heat Sink.



**Bridgelux LED Modules directly Mounting Options**

**Bridgelux V13,V15, LED Array Series:**

- BXRE-20xxxxxx-x-xx; BXRE-40xxxxxx-x-xx;
- BXRE-27xxxxxx-x-xx; BXRE-50xxxxxx-x-xx;
- BXRE-30xxxxxx-x-xx; BXRE-57xxxxxx-x-xx;
- BXRE-35xxxxxx-x-xx; BXRE-65xxxxxx-x-xx;

With the Zhaga Book 3 Holders:

BJB holder:47.319.2025.50; 47.319.2030.50;

Direct mounting with machine screws M3x6.5mm, Blue indicator marks.

With the LEDiL products:

Olivia series: FN14637-S;

Ronda series: FN15xxx-xx;

**Bridgelux Vero® Series Vero 10, Vero 13 LED Array and Vero® SE Series**

**Vero 10 SE, Vero 13 SE LED Array**

- BXRC-27xxxxxx-x-xx; BXRC-50xxxxxx-x-xx;
- BXRC-30xxxxxx-x-xx; BXRC-57xxxxxx-x-xx;
- BXRC-35xxxxxx-x-xx; BXRC-65xxxxxx-x-xx;
- BXRC-40xxxxxx-x-xx;

With the Bridgelux Holder:

Direct mounting with machine screws M3x6.5mm.

Vero 10 for the yellow indicator mark, Vero 13 for the red indicator mark.

With the LEDiL products:

Olivia series: FN14637-S; FN14828-M;

Ronda series: FN15xxx-xx;

**Bridgelux® H Series™ H6, H9 LED Array:**

- BXRH-27xxxxxx-x-xx; BXRH-35xxxxxx-x-xx;
- BXRH-30xxxxxx-x-xx; BXRH-40xxxxxx-x-xx;

With the Zhaga Book 11 Holders:

BJB holder:47.319.6120.50; 47.319.6104.50;

Direct mounting with machine screws M3x6.5mm, Green indicator marks.

With the LEDiL products: Ronda series: FN15xxx-xx;

**Bridgelux® Vesta™ Series Dim-To-Warm 9mm Array**

BXRV-DR-1830H-1000-x-13;

With the Zhaga Book 11 Holders:

BJB holder:47.319.6180.50;

Direct mounting with machine screws M3x6.5mm, Green indicator marks.

Tel:+86-769-39023131  
 Fax:+86-(020)28819702 ext:22122  
 Email: sales@mingfatech.com  
 Http://www.heatsinkled.com  
 Http://www.mingfatech.com



*GooLED*

**GooLED-BRI-6830 Pin Fin LED Heat Sink  $\Phi$ 68mm for Bridgelux**

**Mounting Options and Drawings & Dimensions**

Example:GooLED-BRI-6830-B-1,2

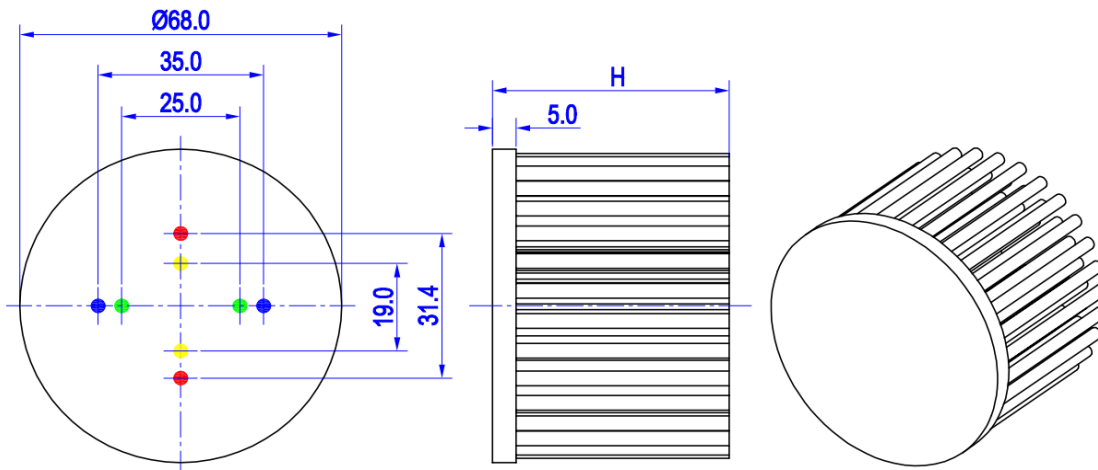
Example:GooLED-BRI-68 **1** - **2** - **3**

- 1** Height (mm)
- 2** Anodising Color
  - B-Black
  - C-Clear
  - Z-Custom
- 3** Mounting Options - see graphics for details Combinations available
  - Ex.order code - 12
  - means option 1 and 2 combined

**Notes:**

- Mentioned models are an extraction of full product range.
- For specific mechanical adaptations please contact MingfaTech.
- MingfaTech reserves the right to change products or specifications without prior notice.


MOUNTING OPTION	Module type	Holder NO.	LEDiL products		THREAD	THREAD DEPTH	THREAD HOLE DISTANCE
			Olivia series	Ronda series			
1	Vero 10 Vero SE 10	Bridgelux	/	/	M3	6.5mm	19.0mm/ 2-@180°
2	Vesta™ Series 9mm	BJB Holder 47.319.6180.50	/	/	M3	6.5mm	25.0mm/ 2-@180° (Zhaga book 11)
	H6	BJB Holder 47.319.6120.50	/	/			
	H9	BJB Holder 47.319.6104.50	/	FN15xxx-xx;			
3	Vero 13 Vero SE 13	Bridgelux	FN14637-S; FN14828-M;	FN15xxx-xx;	M3	6.5mm	31.4mm/ 2-@180°
4	V15	BJB Holder 47.319.2224.50	FN14637-S	/	M3	6.5mm	35.0mm/ 2-@180° (Zhaga book 3)
	V13	BJB Holder 47.319.2025.50		FN15xxx-xx;			



## GooLED

### GooLED-BRI-6830 Pin Fin LED Heat Sink $\Phi$ 68mm for Bridgelux

#### The product data table

	<b>Model No.</b>	GooLED-BRI-6830
	<b>Heatsink Size</b>	$\Phi$ 68xH30mm
	<b>Heatsink Material</b>	AL1070
	<b>Finish</b>	Black Anodized
	<b>Weight (g)</b>	108.0
	<b>Dissipated power (Ths-amb,50°C)</b>	12.5 (W)
	<b>Cooling surface area (mm<sup>2</sup>)</b>	36775
	<b>Thermal Resistance (Rhs-amb)</b>	4.0 (°C/W)

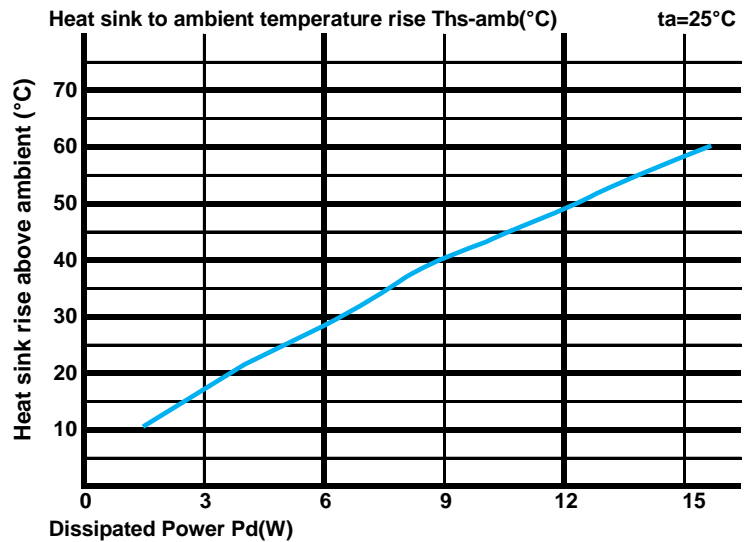
#### The thermal data table

\* Please be aware the dissipated power Pd is not the same as the electrical power Pe of a LED module.

\*To calculate the dissipated power please use the following formula:  $P_d = P_e \times (1 - \eta_L)$ .

Pd - Dissipated power ; Pe - Electrical power ;  $\eta_L$  = Light efficiency of the LED module;

Dissipated Power Pd(W)	Pd = Pe x (1- $\eta_L$ )	Heat sink to ambient thermal resistance Rhs-amb (°C/W)	Heat sink to ambient temperature rise Ths-amb (°C)
		GooLED-BRI-6830	
3.0		5.67	17.0
6.0		4.67	28.0
9.0		4.44	40.0
12.0		4.08	49.0
15.0		3.87	58.0



\*The aluminum substrate side of the package outer shell is thermally connected to the heat sink via TIM (Thermal interface material).

MingFa recommends the use of a high thermal conductive interface between the LED module and the LED cooler.

Either thermal grease, A thermal pad or a phase change thermal pad thickness 0.1-0.15mm is recommended.



\*Thermal resistance is a heat property and a measurement of a temperature difference by which an object or material resists a heat flow.

Geometric shapes are different, the thermal resistance is different. Formula:  $\theta = (Ths - Ta) / Pd$

$\theta$  - Thermal Resistance [°C/W] ; Ths - Heatsink temperature ; Ta - Ambient temperature ;

\*The thermal resistance between the junction section of the light-emitting diode and the aluminum substrate side of the package outer shell is  $R_{junction-case}$ , the thermal resistance of the TIM outside the package is  $R_{interface (TIM)}$  [°C/W], the thermal resistance with the heat sink is  $R_{heatsink-ambient}$  [°C/W], and the ambient temperature is  $T_{ambient}$  [°C].

\*Thermal resistances outside the package  $R_{interface (TIM)}$  and  $R_{heatsink-ambient}$  can be integrated into the thermal resistance  $R_{case-ambient}$  at this point. Thus, the following formula is also used:

$$T_{junction} = (R_{junction-case} + R_{case-ambient}) \cdot Pd + T_{ambient}$$