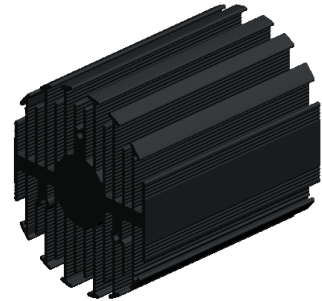


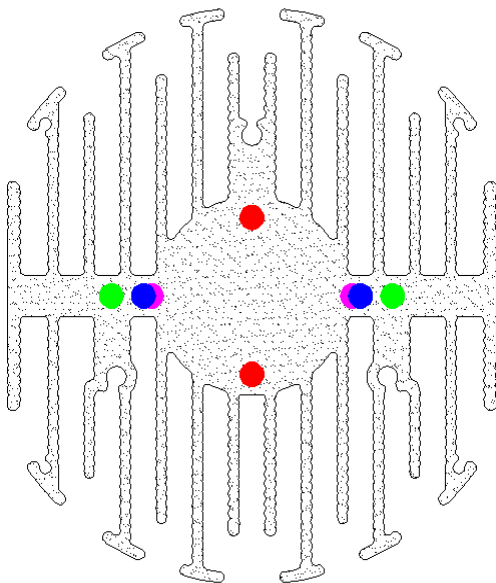
Features VS Benefits

- * The eLED-PRO-7080 Prolight Modular Passive LED Coolers are specifically designed for luminaires using the Prolight LED engines.
- * Mechanical compatibility with direct mounting of the LED engines to the LED cooler and thermal performance matching the lumen packages.
- * For spotlight and downlight designs from 1200 to 3000 lumen.
- * Thermal resistance range R_{th} 1.77°C/W.
- * Modular design with mounting holes foreseen for direct mounting of Prolight CI Series, CII SERIRS, BI SERIRS, BS SERIRS and N SERIRS engines.
- * Diameter 70mm - standard height 80mm Other heights on request.
- * Extruded from highly conductive aluminum.



Prolight LED engine and radiator assembly directly Mounting Options

- * Below you find an overview of Prolight COB's and LED modules which standard fit on the eLED Star LED Heat Sinks.
- * In this way mechanical after work and related costs can be avoided, and lighting designers can standardize their designs on a limited number of LED coolers.



Prolight LED Spotlight COB engines Mounting Options

COB CI Series Modules names:

- PACB-5xxx-xxxx ;
- PACB-7xxx-xxxx ;
- PACB-9xxx-xxxx ;

Pink indicator marks: Zhaga Book 11 BJB Holder:47.319.6060.50;
 Green indicator marks: Zhaga Book3 BJB Holder:47.319.2040.50
 Mounting with machine screws M3x8mm ;
 Red indicator marks ;
 Direct mounting machine screws M3x6mm ;

COB BI SERIRS Module names:

- PABA-10xxx-xxxx ;
- PABA-15xxx-xxxx ;
- PABA-22xxx-xxxx ;
- PABA-26xxx-xxxx ;

Green indicator marks: Zhaga Book3 BJB Holder:47.319.2040.50;
 Mounting with machine screws M3x8mm;
 Blue indicator marks:
 Direct mounting with machine screws M3x6mm;

COB BS SERIRS Modlue names:

- PABS-6xxx-xxxx ;
- PABS-9xxx-xxxx ;

Red indicator marks:
 Direct mounting with machine screws M3x6mm;

COB N SERIRS Module names:

- PANA-10xxx-xxxx ;
- PANA-12xxx-xxxx ;
- PANA-17xxx-xxxx ;
- PANA-24xxx-xxxx ;

Blue indicator marks:
 Direct mounting with machine screws M3x6mm;

COB CII SERIRS Modules names:

- PACC-18xxx-xxxx ;

Blue indicator marks:
 Direct mounting with machine screws M3x6mm;



for

LED



eLED

eLED-PRO-7080 Prolight Modular Passive Star LED Heat Sink Φ 70mm

Mounting Options and Drawings & Dimensions

Example:eLED-PRO-7080-B-3

Example:eLED-PRO-70 **1** - **2** - **3**

1 Height (mm)

2 Anodising Color

B-Black

C-Clear

Z-Custom

3 Mounting options;

On request;

Mounting holes, cable holes;

Screw thread, thermal interface pad.

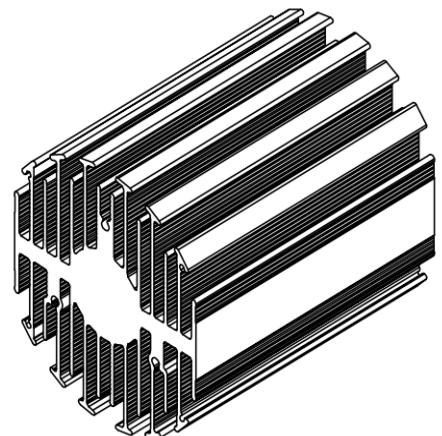
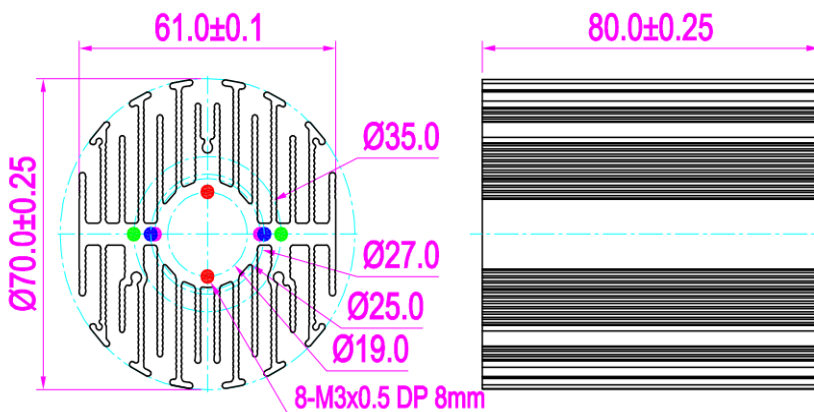
Notes:

- Mentioned models are an extraction of full product range.
- For specific mechanical adaptations please contact MingfaTech.
- MingfaTech reserves the right to change products or specifications without prior notice.

Note : option 2 and option 3 can not be combined




MOUNTING OPTION	Module type	Holder NO.	THREAD	THREAD DEPTH	THREAD HOLE DISTANCE
1	COB CI Series COB BS SERIRS	/	M3	6.5mm	19mm/ 2-@180°
2	COB CI Series	BJB:47.319.6060.50	M3	6.5mm	25mm/ 2-@180° Zhaga Book 11
3	COB N SERIRS COB BI SERIRS COB CII SERIRS	/	M3	6.5mm	27mm/ 2-@180°
4	COB CI Series COB BI SERIRS	BJB:47.319.2040.50	M3	6.5mm	35mm/ 2-@180° Zhaga Book3



eLED

eLED-PRO-7080 Prolight Modular Passive Star LED Heat Sink $\Phi 70$ mm

The thermal data table

	
	<i>eLED-7080</i>
Model No.	eLED-PRO-7080
Size	$\Phi 70 \times H 80$mm
Material	AL6063-T5
Finish	Black Anodized
Weight(gr)	329
Thermal Wattage	28.2W
Heatsink $\Theta_s - a^2$	115563
Heat Sink $T_{\text{Rise Above Ambient}}$	1.77

Dissipated Power P_d (W)	Heat sink to ambient thermal resistance R_{hs-amb} ($^{\circ}\text{C}/\text{W}$)	
	eLED-PRO-7080	
6	2.5	15
12	2.2	26
18	1.9	34
24	1.8	43
30	1.7	51

