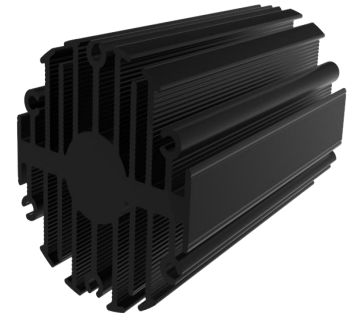


eLED

eLED-TRI-4680 Tridonic Modular Passive Star LED Heat Sink Φ 46mm

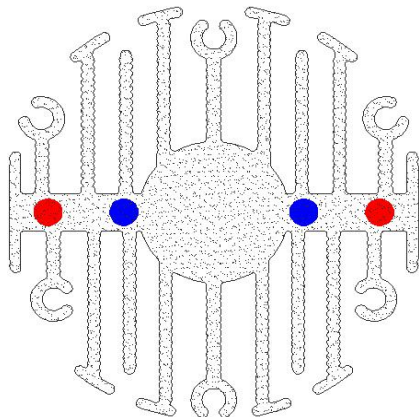
Features VS Benefits

- * The eLED-TRI-4680 Tridonic Modular Passive Star LED Heat Sinks are specifically designed for luminaires using the Tridonic LED engines.
- * Mechanical compatibility with direct mounting of the LED engines to the LED cooler and thermal performance matching the lumen packages.
- * For spotlight and downlight designs from 600 to 1600 lumen.
- * Thermal resistance range R_{th} 3.8°C/W.
- * Modular design with mounting holes foreseen for direct mounting of Tridonic TALEX module SLE modules.
- * Diameter 46.5mm - standard height 80mm Other heights on request.
- * Extruded from highly conductive aluminum.



Zhaga LED engine and radiator assembly is a unified future international standardization

- * Below you find an overview of Tridonic COB's and LED modules which standard fit on the eLED Star LED Heat Sinks.
- * In this way mechanical after work and related costs can be avoided, and lighting designers can standardize their designs on a limited number of Star LED Heat Sinks.



Tridonic LED engines for which Zhaga book3 LED Modules holders are available.

For the Stark SLE GEN3 SELECT, CLASSIC, FOOD, ART model.

STARK-SLE-G3-19-xxx;

For the Stark SLE GEN4 ADVANCE, EXCITE model.

With BJB holder: 47.319.2021.50;

SLE-G4-15mm-2000lm-xxx;

Zhaga Book3 Red indicator marks:

Direct mounting with machine screws M3x8mm;

Tridonic LED engines for which Zhaga book11 LED Modules holders are available.

For the Stark SLE GEN3 Mini SELECT, Mini CLASSIC, ART model.

STARK-SLE-PURE-G3-10-xxx;

For the SLE G4 10mm R SNC model.

SLE G4 10mm-xxx;

With Zhaga Book 11 LED holder

BJB holder: 47.319.6060.50;

A.A.G Stucchi holder: 8100/G2;

Zhaga Book11 Blue indicator marks:

Direct mounting with machine screws M3x8mm;

Tridonic LED Modules directly Mounting Options

For the Stark SLE GEN4 ADVANCE, EXCITE model.

SLE-G4-15mm-2000lm-xxx;

Direct mounting with machine screws M3x6mm;

Yellow indicator marks.

For the Stark SLE GEN3 Mini SELECT, Mini CLASSIC, ART model.

STARK-SLE-PURE-G3-10-xxx;

For the SLE G4 10mm R SNC model.

SLE G4 10mm-xxx;

Direct mounting with machine screws M3x6mm;

Blue indicator marks.

eLED

eLED-TRI-4680 Tridonic Modular Passive Star LED Heat Sink Φ 46mm

Mounting Options and Drawings & Dimensions

TRIDONIC

enlightening your ideas



A.A.G. STUCCHI
Ideas are made of light

Example: eLED-TRI-4680-B-1

Example: eLED-TRI-4680-1-2-3

1 Height (mm)

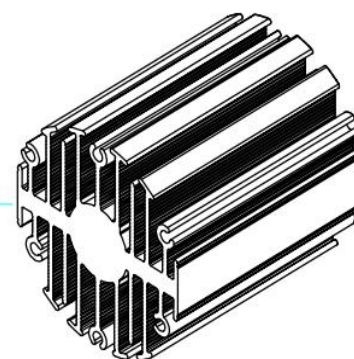
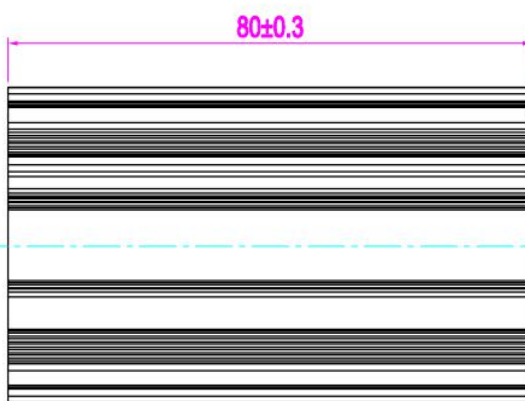
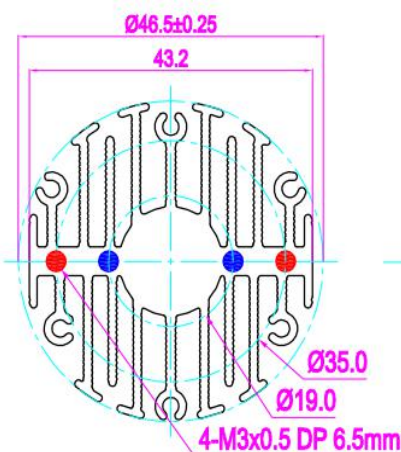
2 Anodising Color
B-Black
C-Clear
Z-Custom

3 Mounting Options - see graphics for details Combinations available
Ex.order code - 12
means option 1 and 2 combined

Notes:

- Mentioned models are an extraction of full product range.
- For specific mechanical adaptations please contact MingfaTech.
- MingfaTech reserves the right to change products or specifications without prior notice.

MOUNTING OPTION	Module type	Holder NO.	THREAD	THREAD DEPTH	THREAD HOLE DISTANCE
1	STARK-SLE-PURE-G3-10-xxx; SLE G4 10mm-xxx;	/	M3	6.5mm	19.0mm/ @180°
2		BJB (47.319.2021.50)	M3	6.5mm	35.0mm/ @180°
	STARK-SLE-G3-19-xxx;	/	M3	6.5mm	



for

LED

eLED

eLED-TRI-4680 Tridonic Modular Passive Star LED Heat Sink Φ 46mm

The thermal data table

	 <i>eLED-4680</i>
Model No.	eLED-TRI-4680
Size	Φ 46.5xH80mm
Material	AL6063-T5
Finish	Black Anodized
Weight(gr)	161.5
Thermal Wattage	13.0W
HeatsinkΘs-a²	65150
Heat Sink T_{Rise Above Ambient}	3.8

Dissipated Power Pd(W)	Pd = Pe x (1- η L)	Heat sink to ambient thermal resistance Rhs-amb (°C/W)	Heat sink toambienttemperature riseThs-amb (°C)
		eLED-TRI-4680	
3		4.67	14
6		4.67	28
9		4.33	39
12		4.00	48
15		3.73	56

