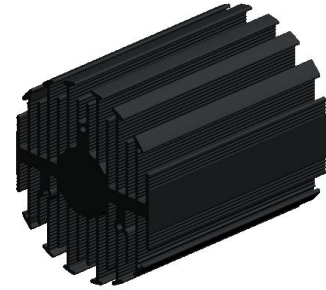


**eLED**

**eLED-LUM-7080 for LumiLEDs Modular Passive Star LED Heat Sink  $\Phi$ 70mm**

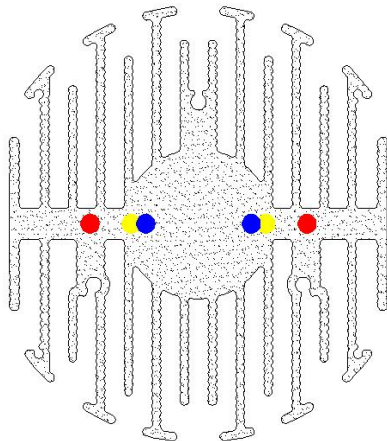
### Features VS Benefits

- \* The eLED-LUM-7080 LUMILEDS Modular Passive LED Coolers are specifically designed for luminaires using the LUMILEDS LED engines.
- \* Mechanical compatibility with direct mounting of the LED engines to the LED cooler and thermal performance matching the lumen packages.
- \* For spotlight and downlight designs from 1200 to 3000 lumen.
- \* Thermal resistance range  $R_{th}$  1.77°C/W.
- \* Modular design with mounting holes foreseen for direct mounting of LUMILEDS Luxeon K and LueonCOB engines.
- \* Diameter 70mm - standard height 80mm Other heights on request.
- \* Extruded from highly conductive aluminum.



### Zhaga LED engine and radiator assembly is a unified future international standardization

- \* Below you find an overview of LUMILEDS COB's and LED modules which standard fit on the eLED coolers.
- \* In this way mechanical after work and related costs can be avoided, and lighting designers can standardize their designs on a limited number of LED coolers.



### LUMILEDS LED Modules Mounting Options

For the LuxeonCOB LED engines.

LHC1-xxxx-1202;  
LHC1-xxxx-1203;

Zhaga Book3 TE holder:Z50 2213382-2;  
Mounting with machine screws M3x6mm;  
Red indicator marks;

LHC1-xxxx-1204;  
LHC1-xxxx-1205;

Zhaga Book3 LED holder:  
TE holder:Z50 2213130-2;  
BJB holder:47.319.2011.50;  
A.A.G Stucchi holder:8301/G2;  
Red indicator marks;

For the Luxeon K 3-UP/4-UP LED engines.

LXK8-PWxx-0403;  
LXK8-PWxx-0004;  
LXK9-PWxx-0004;

Direct mounting with machine screws M3x6mm;  
Blue indicator marks.

For the Luxeon K 6-UP/8-UP LED engines.

LXK8-PWxx-0206;  
LXK8-PWxx-0008;

Direct mounting with machine screws M3x6mm;  
Yellow indicator marks.

eLED

eLED-LUM-7080 for LumiLEDs Modular Passive Star LED Heat Sink  $\Phi$ 70mm

Mounting Options and Drawings & Dimensions

Example:eLED-LUM-7080-B-3

Example:eLED-LUM-70 **1** - **2** - **3**

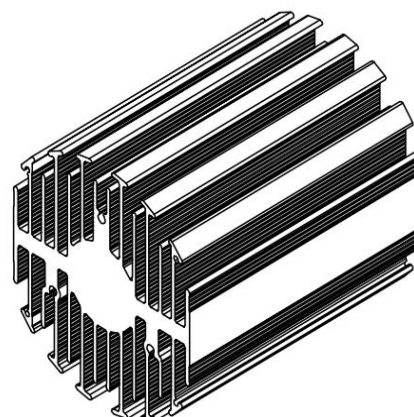
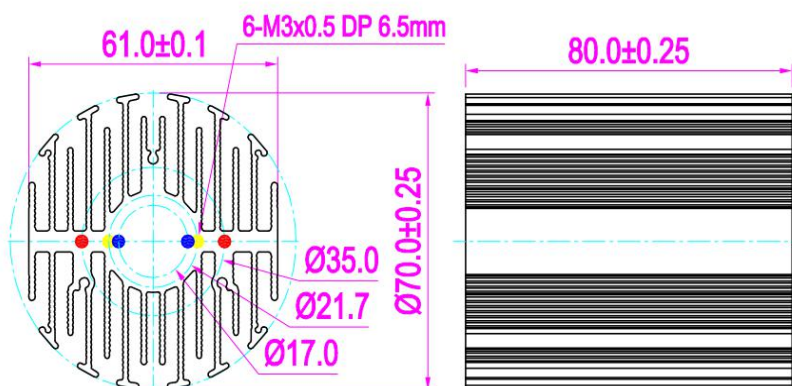
- 1** Height (mm)
- 2** Anodising Color  
B-Black  
C-Clear  
Z-Custom
- 3** Mounting Options - see graphics for details Combinations available  
Ex.order code - 12  
means option 1 and 2 combined

Notes:

- Mentioned models are an extraction of full product range.
- For specific mechanical adaptations please contact MingfaTech.
- MingfaTech reserves the right to change products or specifications without prior notice.



MOUNTING OPTION	Module type	Holder NO.	THREAD	THREAD DEPTH	THREAD HOLE DISTANCE
1	Luxeon K 3-UP Luxeon K 4-UP	/	M3	6.5mm	17.0mm/ @180°
2	Luxeon K 6-UP Luxeon K 8-UP	/	M3	6.5mm	21.7mm/ @180°
3	LuxeonCOB1202 LuxeonCOB1203	Type (Z50 2213382-2)	M3	6.5mm	35.0mm/ @180°



eLED

eLED-LUM-7080 for LumiLEDs Modular Passive Star LED Heat Sink  $\Phi 70\text{mm}$

The thermal data table

	 <i>eLED-7080</i>
<b>Model No.</b>	<b>eLED-LUM-7080</b>
<b>Size</b>	<b><math>\Phi 70 \times H 80\text{mm}</math></b>
<b>Material</b>	<b>AL6063-T5</b>
<b>Finish</b>	<b>Black Anodized</b>
<b>Weight(g)</b>	<b>329</b>
<b>Thermal Wattage</b>	<b>28.2W</b>
<b>Heatsink <math>\Theta_{s-a}^2</math></b>	<b>115563</b>
<b>Heat Sink T Rise Above Ambient</b>	<b>1.8</b>

Dissipated Power $P_d$ (W)	$P_d = P_e \times (1-\eta_L)$	Heat sink to ambient thermal resistance $R_{hs-amb}$ ( $^{\circ}\text{C}/\text{W}$ )	Heat sink to ambient temperature rise $T_{hs-amb}$ ( $^{\circ}\text{C}$ )
		eLED-LUM-7080	
6		2.5	15
12		2.2	26
18		1.9	34
24		1.8	43
30		1.7	51

