



for

LED

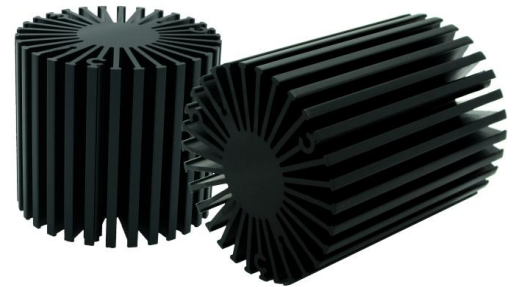


SimpoleD

SimpoleD-EDI-5850 for Edison Modular Passive LED Cooler Φ 58mm

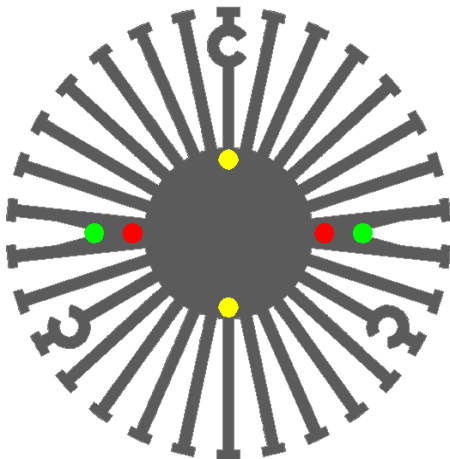
Features VS Benefits

- * The SimpoleD-EDI-5850 Edison Modular Passive LED Coolers are specifically designed for luminaires using the Edison LED engines.
- * Mechanical compatibility with direct mounting of the LED engines to the LED cooler and thermal performance matching the lumen packages.
- * For spotlight and downlight designs from 400 to 1300 lumen.
- * Thermal resistance range Rth 3.7°C/W.
- * Modular design with mounting holes foreseen for direct mounting of Edison EdiLex SLM and EdiLex II COB LED engines.
- * Diameter 58mm - standard height 50mm Other heights on request.
- * Extruded from highly conductive aluminum.



Zhaga LED engine and radiator assembly is a unified future international standardization

- * Below you find an overview of Edison engines COB's and LED modules which standard fit on the SimpoleD coolers.
- * In this way mechanical after work and related costs can be avoided, and lighting designers can standardize their designs on a limited number of LED coolers.



Edison LED engines Mounting Options

For the EdiLex Spot Light Module (SLM).

5PHR09WW0010002; 5PHR11WW0010002;
5PHR09NWS0010002; 5PHR11NWS0010002;

Zhaga Book3 Green indicator marks:
Mounting with machine screws M3x8mm;

For the EdiLex II CAC Series LED engines.

2PCA04WW27P21001;
2PCA04NW27P21001;
2PCA04CW27P21001;

Zhaga Book11 Red indicator marks:
BJB Spot holder:47.319.6120.50;
Ideal Holder: 50-2000CR;
Mounting with machine screws M3x8mm;

For the EdiLex II CAC Series LED engines.

2PCA07WW27P22001;
2PCA07NW27P22001;
2PCA07CW27P22001;

Zhaga Book11 Red indicator marks:
BJB Spot holder:47.319.6101.50;
Mounting with machine screws M3x8mm;

For the EdiLex II HM Series LED engines.

2PHM05WW27P12001; 2PHM09WW27P12001;
2PHM05NW27P12001; 2PHM09NW27P12001;
2PHM05CW27P12001; 2PHM09CW27P12001;

Zhaga Book11 Red indicator marks:
BJB Spot holder:47.319.6060.50;
AAG.STUCCHI holder:8100-G2;
Mounting with machine screws M3x8mm;

For the EdiLex II HM CRI90 Series LED engines.

2PHM05WW38P12001; 2PHM09WW38P12001;
2PHM05NW38P12001; 2PHM09NW38P12001;
2PHM05CW38P12001; 2PHM09CW38P12001;

Zhaga Book11 Red indicator marks:
BJB Spot holder:47.319.6060.50;
AAG.STUCCHI holder:8100-G2;
Mounting with machine screws M3x8mm;

Tel:+86-769-39023131
E-fax:+86-(020)28819702 ext:22122
Email:sales@mingfatech.com
Http://www.heatsinkled.com
Http://www.mingfatech.com





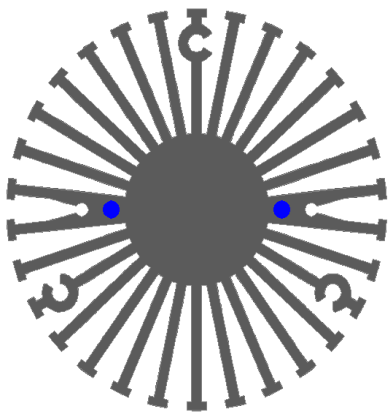
for

LED



SimpoleD

SimpoleD-EDI-5850 for Edison Modular Passive LED Cooler Φ 58mm



Edison LED engines with holders Mounting Options

For the EdiLex II HM Series (PAR) LED engines.

- 2PHM13WW27P12001;
- 2PHM13NW27P12001 ;
- 2PHM13CW27P12001 ;

For the EdiLex II MV Series LED engines.

- 2PMV13WW27P12001; 2PMV13WW27P12002;
- 2PMV13NW27P12001 ; 2PMV13NW27P12002 ;
- 2PMV13CW27P12001 ; 2PMV13CW27P12002 ;

Zhaga Book11 Red indicator marks;
 BJB holder:47.319.6060.50 ;
 AAG.STUCCHI holder:8100-G2 ;
 Mounting with machine screws M3x6mm;

Edison LED engines directly Mounting Options

For the EdiLex II SD Series LED engines.

- 2PSD15WW01P02001;
- 2PSD15NW05P02001 ;
- 2PSD15CW06P02001 ;

For the EdiLex II LC Series LED engines.

- 2PLC15WW05P02001;
- 2PLC15NW05P02001 ;
- 2PLC15CW06P02001 ;

For the EdiLex II HV Series LED engines.

- 2PHV09WW05P02001; 2PHV13WW05P02001;
- 2PHV09NW05P02001 ; 2PHV13NW05P02001 ;
- 2PHV09CW06P02001 ; 2PHV13CW06P02001 ;

Direct mounting with machine screws M3x6mm;
 Blue indicator marks.

For the EdiLex II Star CRI90 Series LED engines.

- 2PHV06WW38P05001; 2PHV10WW38P05001;
- 2PHV06NW38P05001 ; 2PHV10NW38P05001 ;
- 2PHV06CW38P05001 ; 2PHV10CW38P05001 ;

For the EdiLex II Star Series LED engines.

- 2PHV06WW27P05001; 2PHV10WW27P05001;
- 2PHV06NW27P05001 ; 2PHV10NW27P05001 ;
- 2PHV06CW27P05001 ; 2PHV10CW27P05001 ;

For the EdiLex II CM Series LED engines.

- 2PCM09WW11P26001;
- 2PCM09NW11P26001 ;
- 2PCM09CW11P26001 ;

Direct mounting with machine screws M3x6mm;
 Yellow indicator marks.

Please refer to the
 "http://www.edison-opto.com" data provided on the manual.

SimpoleD

SimpoleD-EDI-5850 for Edison Modular Passive LED Cooler Φ 58mm

Mounting Options and Drawings & Dimensions

Example: SimpoleD-EDI-5850-B-3

Example: SimpoleD-EDI-58 **1** - **2** - **3**

- 1** Height (mm)
- 2** Anodising Color
 - B-Black
 - C-Clear
 - Z-Custom
- 3** Mounting Options - see graphics for details Combinations available
Ex.order code - 12
means option 1 and 2 combined

Notes:

- Mentioned models are an extraction of full product range.
- For specific mechanical adaptations please contact MingfaTech.
- MingfaTech reserves the right to change products or specifications without prior notice.

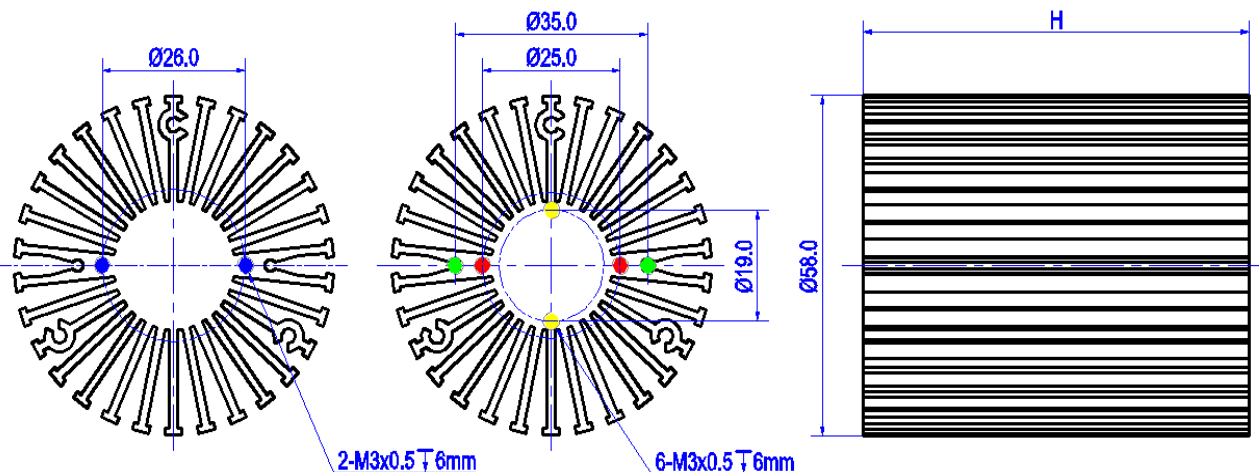
Note! : option 2 and option 3 can't not be combined .



A. A. G. STUCCHI
ideas are made of light



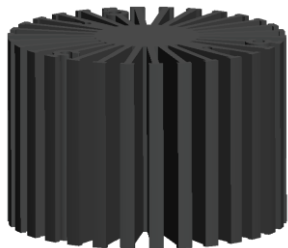
MOUNTING OPTION	Module type	Holder NO.	THREAD	THREAD DEPTH	THREAD HOLE DISTANCE
1	EdiLex II CM EdiLex II Star	/	M3	6mm	19.0mm/ 2-@180°
2	EdiLex II HM EdiLex II MV	AAG.STUCCHI:8100-G2	M3	6mm	25.0mm/ 2-@180°
		BJB:47.319.6060.50			
	EdiLex II CAC	BJB:47.319.6120.50 or 47.319.6101.50			
	Ideal:50-2000CR				
3	EdiLex II SD EdiLex II HV EdiLex II LC	/	M3	6mm	26.0mm/ 2-@180°
4	EdiLex II SLM	/	M3	6mm	35.0mm/ 2-@180°



SimpoleD

SimpoleD-EDI-5850 for Edison Modular Passive LED Cooler Φ 58mm

The thermal data table

	 <i>SimpoleD-5850</i>
Model No.	SimpoleD-EDI-5850
Size	Φ58xH50mm
Material	AL6063-T5
Finish	Black Anodized
Weight(gr)	174.0
Thermal Wattage	12.2W
HeatsinkOs-a²	65040
Heat Sink T Rise Above Ambient	3.7

Dissipated Power Pd(W)	Pd = Pe x (1- η L)	
	Heat sink to ambient thermal resistance Rhs-amb ($^{\circ}$ C/W)	Heat sink to ambient temperature rise Ths-amb ($^{\circ}$ C)
	SimpoleD-EDI-5850	SimpoleD-EDI-5850
3.0	4.83	14.5
6.0	4.16	25.0
9.0	3.82	34.4
12.0	3.58	43.0
15.0	3.40	51.0

