



for

LED



SimpoleD

SimpoleD-LG-8180 for LG Innotech Modular Passive LED Cooler Φ 81mm

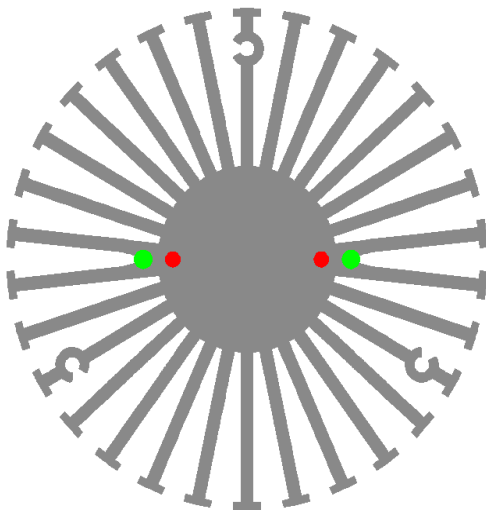
Features VS Benefits

- * The SimpoleD-LG-8180 LG Innotech Modular Passive LED Coolers are specifically designed for luminaires using the LG Innotech LED engines.
- * Mechanical compatibility with direct mounting of the LED engines to the LED cooler and thermal performance matching the lumen packages.
- * For spotlight and downlight designs from 1200 to 4000 lumen.
- * Thermal resistance range Rth 1.6°C/W.
- * Modular design with mounting holes foreseen for direct mounting of LG Innotech LEMWM COB 13W/17W LED engines.
- * Diameter 81mm - standard height 80mm Other heights on request.
- * Extruded from highly conductive aluminum.



Zhaga LED engine and radiator assembly is a unified future international standardization

- * Below you find an overview of LG Innotech engines COB's and LED modules which standard fit on the SimpoleD coolers.
- * In this way mechanical after work and related costs can be avoided, and lighting designers can standardize their designs on a limited number of LED coolers.



LG Innotech LED Spotlight engines directly Mounting Options

LEMWM 13W COB Modules:

- LEMWM18680HGxxxx;
- LEMWM18680JGxxxx;
- LEMWM18680LGxxxx;
- LEMWM18680MGxxxx;

Zhaga Book3 Green indicator marks:

- AAG.STUCCHI holder:8600 ;
- BJB holder:47.319.2080.50 ;
- IDEAL holder:50-2100LG ;
- Direct mounting with machine screws M3x6mm;

Directly Mounting with machine screws M2.5x8mm;
Red indicator marks.

LEMWM 17W COB Modules:

- LEMWM18780Gxxxx;
- LEMWM18780HGxxxx;
- LEMWM18780JGxxxx;
- LEMWM18780LGxxxx;
- LEMWM18780MGxxxx;

Zhaga Book3 Green indicator marks:

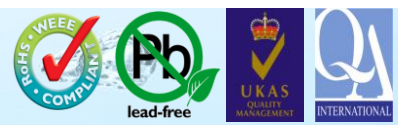
- AAG.STUCCHI holder:8600 ;
- BJB holder:47.319.2080.50 ;
- IDEAL holder:50-2100LG ;
- Direct mounting with machine screws M3x6mm;

Directly Mounting with machine screws M2.5x8mm;
Red indicator marks.





LED



SimpoleD

SimpoleD-LG-8180 for LG Innotek Modular Passive LED Cooler Φ 81mm

Mounting Options and Drawings & Dimensions

Example: SimpoleD-LG-8180-B-3

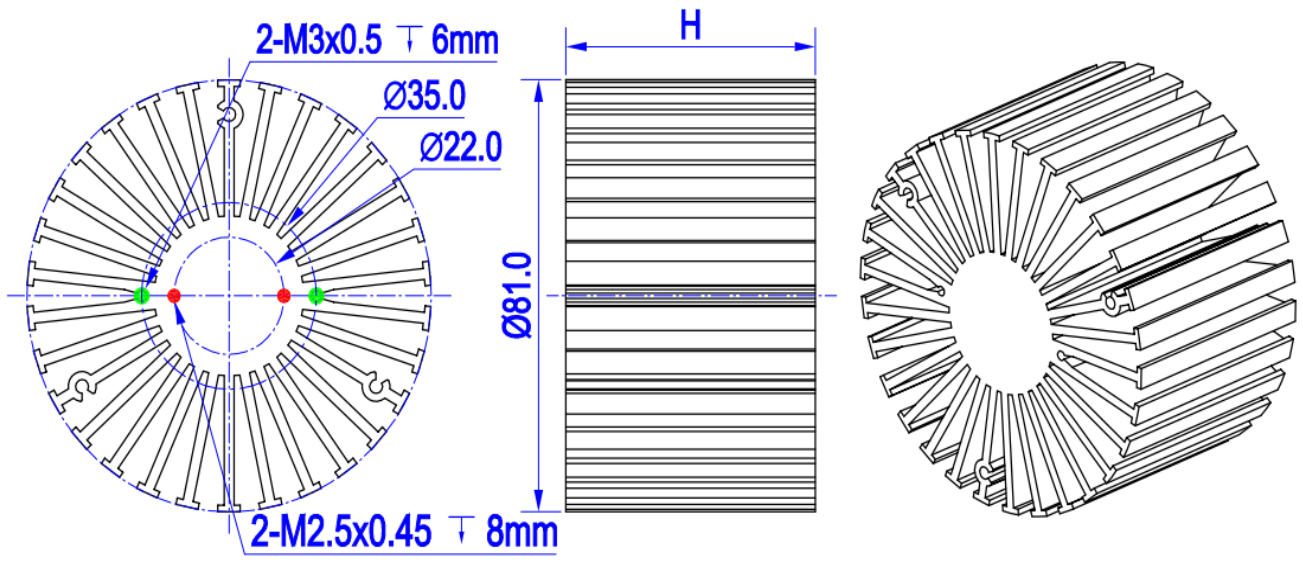
Example: SimpoleD-LG-81 **1** - **2** - **3**

- 1** Height (mm)
- 2** Anodising Color
B-Black
C-Clear
Z-Custom
- 3** Mounting Options - see graphics for details Combinations available
Ex.order code - 12
means option 1 and 2 combined

Notes:
 - Mentioned models are an extraction of full product range.
 - For specific mechanical adaptations please contact MingfaTech.
 - MingfaTech reserves the right to change products or specifications without prior notice.



MOUNTING OPTION	Module type	Holder NO.	THREAD	THREAD DEPTH	THREAD HOLE DISTANCE
1	LEMWM COB 13W/17W	/	M2.5	8mm	22.0mm/ 2-@180°
2	LEMWM COB 13W/17W	BJB: 47.319.2028.50	M3	6mm	35.0mm/ 2-@180°
		AAG.STUCCHI: 8600			
		IDEAL: 50-2100LG			



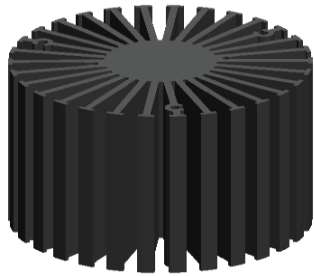
Tel:+86-769-39023131
 E-fax:+86-(020)28819702 ext:22122
 Email:sales@mingfatech.com
 Http://www.heatsinkled.com
 Http://www.mingfatech.com



SimpoleD

SimpoleD-LG-8180 for LG Innotek Modular Passive LED Cooler Φ 81mm

The thermal data table

	 <i>SimpoleD-8180</i>
Model No.	SimpoleD-LG-8180
Size	Φ81xH80mm
Material	AL6063-T5
Finish	Black Anodized
Weight(g)	508.0
Thermal Wattage	31.2W
HeatsinkΘs-a²	148406
Heat Sink T_{Rise Above Ambient}	1.6

Dissipated Power Pd(W)	Pd = Pe x (1- η L)	
	Heat sink to ambient thermal resistance Rhs-amb (°C/W)	Heat sink to ambient temperature rise Ths-amb (°C)
	SimpoleD-LG-8180	SimpoleD-LG-8180
7.0	2.20	15.4
14.0	1.90	26.6
21.0	1.80	37.8
28.0	1.70	47.6
35.0	1.55	54.3

