



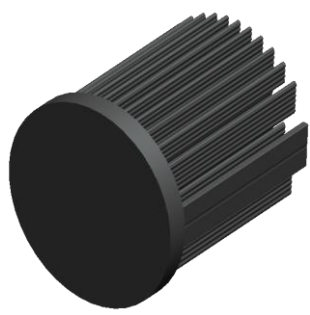
Mingfa TECH for LED

xLED

xLED-SHA-4550 Pin Fin LED Heat Sink Φ 45mm for Sharp

Features VS Benefits

- * The xLED-SHA-4550 Sharp Pin Fin LED Heat Sinks are specifically designed for luminaires using the Sharp LED engines.
- * Mechanical compatibility with direct mounting of the LED engines to the LED cooler and thermal performance matching the lumen packages.
- * For spotlight and downlight designs from 500 to 1200 lumen.
- * Thermal resistance range R_{th} 5.0°C/W.
- * Modular design with mounting holes foreseen for direct mounting of SHARP Mini Zenigata LED engines.
- * Diameter 45mm - standard height 50mm Other heights on request.
- * Forged from highly conductive aluminum.



Zhaga LED engine and radiator assembly is a unified future international standardization

- * Below you find an overview of Sharp engines COB's and LED modules which standard fit on the xLED Pin Fin LED Heat Sinks.
- * In this way mechanical after work and related costs can be avoided, and lighting designers can standardize their designs on a limited number of LED Pin Fin LED Heat Sink.

SHARP



Sharp LED Modules Mounting indicator marks overview

Mini Mega Zenigata Modules names:

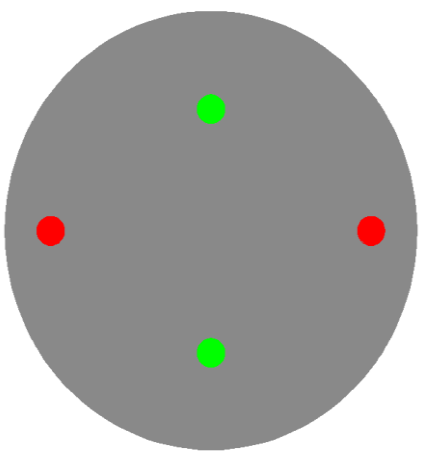
- | | |
|--------------|--------------|
| GW6BLC27C0C; | GW6BMG27HED; |
| GW6BLC30C0C; | GW6BMG30HED; |
| GW6BLC40C0C; | GW6BMG40HED; |
| GW6BLC50C0C; | GW6BMG50HED; |
| GW6BLQ27C0C; | GW6BME27HED; |
| GW6BLQ30C0C; | GW6BME30HED; |
| GW6BLQ40C0C; | GW6BME40HED; |
| GW6BLQ50C0C; | GW6BME50HED; |
| GW6BMF27JEC; | GW6BGG27HED; |
| GW6BMF30JEC; | GW6BGG30HED; |
| GW6BMF40JEC; | GW6BGG40HED; |
| GW6BMF50JEC; | GW6BGG50HED; |

Zhaga Book11 Holders:

BJB holder:47.319.6180.50; A.A.G Stucchi holder:8300/G2

Direct mounting with machine screws M3x8mm;

Green indicator marks





xLED

xLED-SHA-4550 Pin Fin LED Heat Sink Φ 45mm for Sharp

Mounting Options and Drawings & Dimensions

Example:xLED-SHA-4550-B-3

Example:xLED-SHA-45 **1** - **2** - **3**

- 1** Height (mm)
- 2** Anodising Color
B-Black
C-Clear
Z-Custom
- 3** Mounting Options - see graphics for details Combinations available
Ex.order code - 12
means option 1 and 2 combined

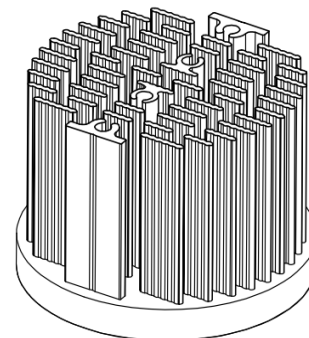
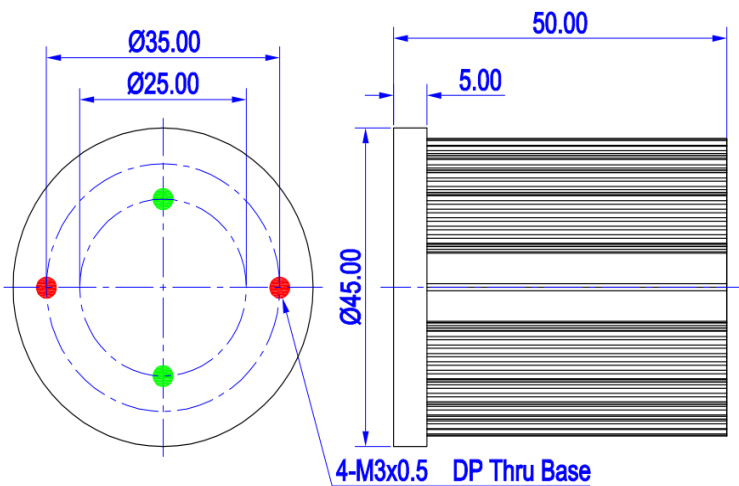
Notes:

- Mentioned models are an extraction of full product range.
- For specific mechanical adaptations please contact MingfaTech.
- MingfaTech reserves the right to change products or specifications without prior notice.

SHARP



MOUNTING OPTION	Module type	Holder NO.	THREAD	THREAD DEPTH	THREAD HOLE DISTANCE
1	Mini ZENIGATA	BJB (47.319.6180.50)	M3	6mm	25.0mm/ @180°
		A.A.G Stucchi (8300/G2)			
2	Mega ZENIGATA	BJB (47.319.2011.50)	M3	6mm	35.0mm/ @180°
		Type (2213130-2)			
		A.A.G Stucchi (8301/G2)			



Tel:+86-769-33252828 +86-769-33251919
 E-fax:+86-(020)28819702 ext:22122
 Email:sales@mingfatech.com
 Http://www.heatsinkled.com
 Http://www.mingfatech.com



xLED

xLED-SHA-4550 Pin Fin LED Heat Sink Φ 45mm for Sharp

The thermal data table

	 <i>xLED-4550</i>
Model No.	xLED-SHA-4550
Size	Φ45xH50mm
Material	AL1070
Finish	Black Anodized
Weight(gr)	63.5
Thermal Wattage	10.0W
HeatsinkOs-a²	37985
Heat Sink T Rise Above Ambient	5

Dissipated Power Pd(W)	Pd = Pe x (1-ηL)	Heat sink to ambient thermal resistance Rhs-amb (°C/W)	Heat sink to ambient temperature rise Ths-amb (°C)
		xLED-SHA-4550	
3.0		7.0	21.0
6.0		5.7	34.0
9.0		5.1	46.0
12.0		4.7	56.0
15.0		4.2	63.0

