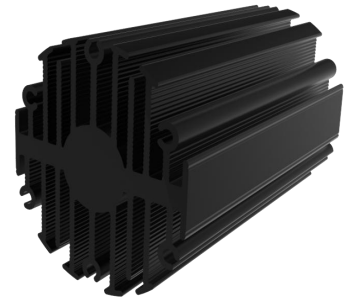


eLED

eLED-SHA-4680 Sharp Modular Passive Star LED Heat Sink  $\Phi$ 46mm

## Features VS Benefits

- \* The eLED-SHA-4680 Sharp Modular Passive Star LED Heat Sinks are specifically designed for luminaires using the Sharp LED engines.
- \* Mechanical compatibility with direct mounting of the LED engines to the LED cooler and thermal performance matching the lumen packages.
- \* For spotlight and downlight designs from 600 to 1600 lumen.
- \* Thermal resistance range  $R_{th}$  3.8°C/W.
- \* Modular design with mounting holes foreseen for direct mounting of SHARP Mini Zenigata LED engines.
- \* Diameter 46.5mm - standard height 80mm Other heights on request.
- \* Extruded from highly conductive aluminum.



## Zhaga LED engine and radiator assembly is a unified future international standardization

- \* Below you find an overview of Sharp engines COB's and LED modules which standard fit on the eLED Star LED Heat Sinks.
- \* In this way mechanical after work and related costs can be avoided, and lighting designers can standardize their designs on a limited number of Star LED Heat Sinks.

# SHARP



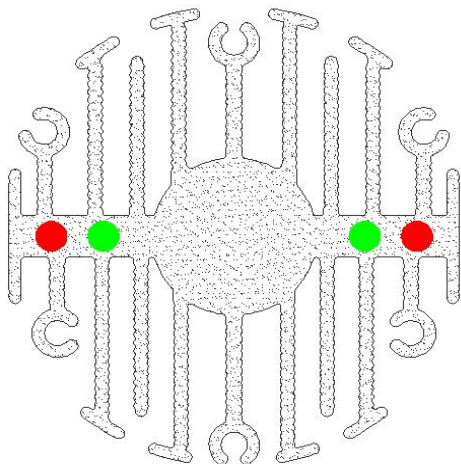
## Sharp LED engines Mounting Options

### Mini Mega Zenigata Modules names:

GW6BLC27C0C;	GW6BMG27HED;
GW6BLC30C0C;	GW6BMG30HED;
GW6BLC40C0C;	GW6BMG40HED;
GW6BLC50C0C;	GW6BMG50HED;
GW6BLQ27C0C;	GW6BME27HED;
GW6BLQ30C0C;	GW6BME30HED;
GW6BLQ40C0C;	GW6BME40HED;
GW6BLQ50C0C;	GW6BME50HED;
GW6BMF27JEC;	GW6BGG27HED;
GW6BMF30JEC;	GW6BGG30HED;
GW6BMF40JEC;	GW6BGG40HED;
GW6BMF50JEC;	GW6BGG50HED;

### Zhaga Book11 Holders:

BJB holder: 47.319.6180.50;  
 A.A.G Stucchi holder: 8300/G2  
 Direct mounting with machine screws M3x8mm;  
 Green indicator marks





for

LED



eLED

eLED-SHA-4680 Sharp Modular Passive Star LED Heat Sink  $\Phi$ 46mm

Mounting Options and Drawings & Dimensions

Example:eLED-SHA-4680-B-1

Example:eLED-SHA-4680-1-2-3

- 1 Height (mm)
- 2 Anodising Color  
B-Black  
C-Clear  
Z-Custom
- 3 Mounting Options - see graphics for details Combinations available  
Ex.order code - 12  
means option 1 and 2 combined

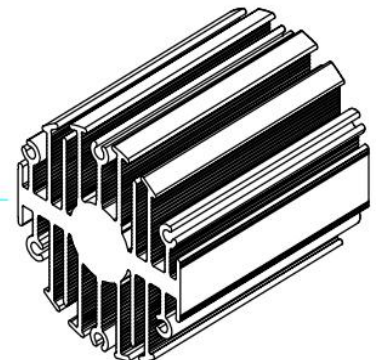
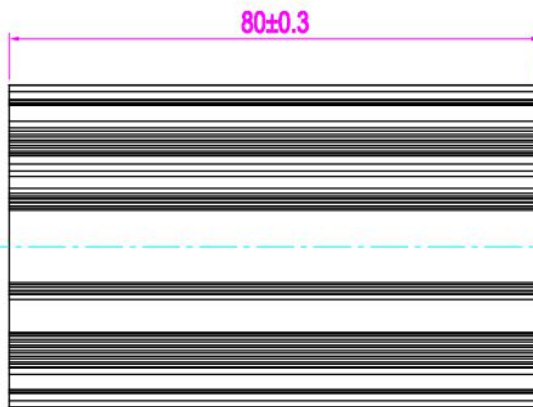
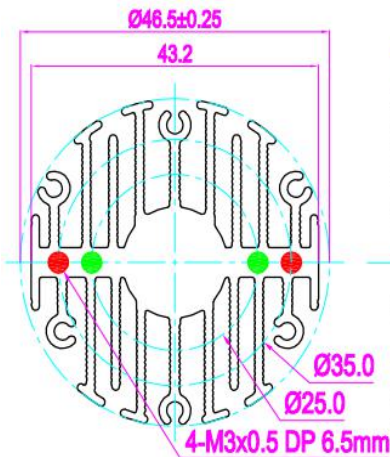
Notes:

- Mentioned models are an extraction of full product range.
- For specific mechanical adaptations please contact MingfaTech.
- MingfaTech reserves the right to change products or specifications without prior notice.

SHARP



MOUNTING OPTION	Module type	Holder NO.	THREAD	THREAD DEPTH	THREAD HOLE DISTANCE
1	Mini ZENIGATA	BJB (47.319.6180.50)	M3	6.5mm	25.0mm/ @180°
		A.A.G Stucchi (8300/G2)			
2	Mega ZENIGATA	BJB (47.319.2011.50)	M3	6.5mm	35.0mm/ @180°
		Type (2213130-2)			
		A.A.G Stucchi (8301/G2)			



eLED

eLED-SHA-4680 Sharp Modular Passive Star LED Heat Sink  $\Phi$ 46mm

The thermal data table

	 <i>eLED-4680</i>
<b>Model No.</b>	<b>eLED-SHA-4680</b>
<b>Size</b>	<b><math>\Phi</math>46.5xH80mm</b>
<b>Material</b>	<b>AL6063-T5</b>
<b>Finish</b>	<b>Black Anodized</b>
<b>Weight(gr)</b>	<b>161.5</b>
<b>Thermal Wattage</b>	<b>13.0W</b>
<b>Heatsink <math>\Theta_{s-a}^2</math></b>	<b>65150</b>
<b>Heat Sink T Rise Above Ambient</b>	<b>3.8</b>

Dissipated Power Pd(W)	Pd = Pe x (1- $\eta$ L)	Heat sink to ambient thermal resistance Rhs-amb ( $^{\circ}$ C/W)	Heat sink to ambient temperature rise Ths-amb ( $^{\circ}$ C)
		eLED-SHA-4680	
3		4.67	14
6		4.67	28
9		4.33	39
12		4.00	48
15		3.73	56

