



HibayLED

HibayLED-330315

Modular vacuum phase-transition LED Heat Sink (Passive) Φ 330mm

Features VS Benefits

- * Mechanical compatibility with direct mounting of the LED modules to the Modular vacuum phase-transition LED Heat Sinks (Passive) thermal performance matching the lumen packages.
- * Modular design with mounting holes foreseen for direct mounting of a wide range of LED modules and COB's.
- * For Highbay designs from 45000 to 50000 lumen.
- * Thermal resistance range R_{th} 0.11°C/W.
- * Diameter 330mm - standard height 315mm Other heights on request.
- * 2 standard colors - clear anodized - black anodized.
- * Design for Bridgelux , Citizen , Cree, Seoul, LG Innotek, Tridonic, Lumileds, Lustrous.....



Unique Advantages

- * Integration of heat super conduction and heat dissipation. Reduce heat conduct resistance of heatsink to ZERO;
- * Low heat conduct temperature difference, equivalent heatconductive ability 20 times better than copper;
- * More than 30% reduce of volume and weight than normal heatsinks;
- * Compared to normal extrusion heatsinks, Mingfa Tech's our vacuum phase-transition heatsinks can adapt higher power for the same size;
- * Compared to normal extrusion heatsinks, Mingfa Tech's vacuum phase-transition LED heatsinks are much smaller volume and lighter weight for the same power;
- * All aluminium, cost effective;

Mounting Options and Drawings & Dimensions

Example: HibayLED-330315-C-2

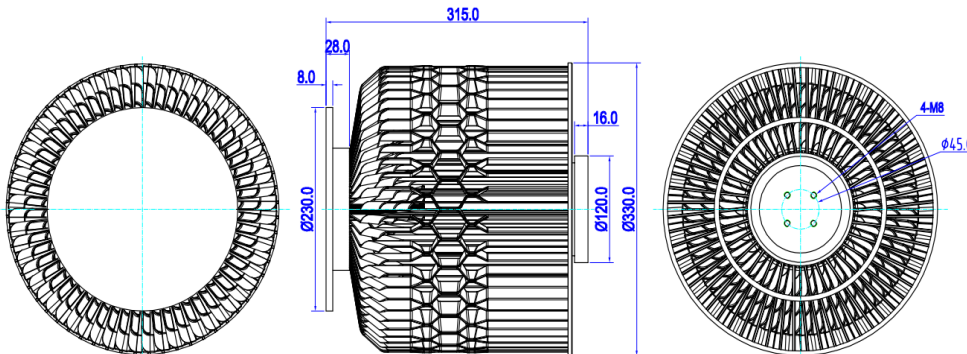
Example: HibayLED-330315 **1** - **2**

- 1** Anodising Color
C-Clear
Z-Custom

- 2** Mounting Options - see graphics for details Combinations available
Ex.order code - 12
means option 1 and 2 combined

Notes:

- Mentioned models are an extraction of full product range.
- For specific mechanical adaptations please contact MingfaTech.
- MingfaTech reserves the right to change products or specifications without prior notice.



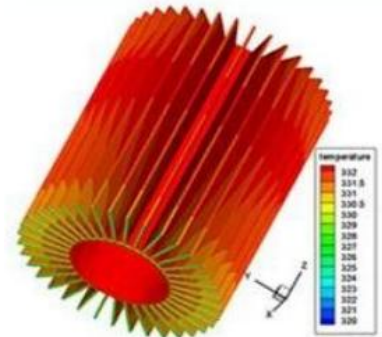
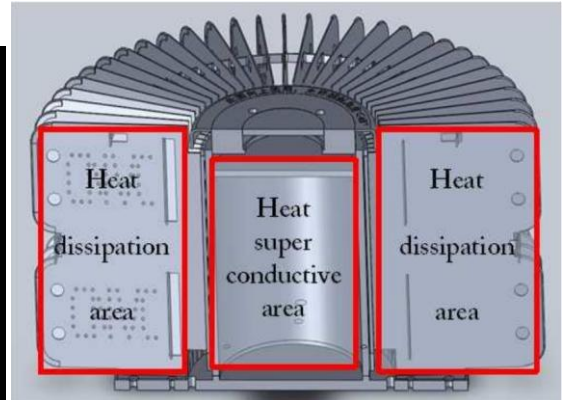
HibayLED

HibayLED-330315

Modular vacuum phase-transition LED Heat Sink (Passive) $\Phi 330\text{mm}$

The thermal data table

	 <p><i>HibayLED</i></p>
Model No.	HibayLED-330315
Size	$\Phi 330 \times H 315\text{mm}$
Material	AL1070
Finish	Clear Anodized
Weight(gr)	5700
Thermal Wattage	500
HeatsinkOs-a ²	3638332
Heat Sink T _{Rise Above Ambient}	0.11



Heat sink to ambient temperature rise $T_{hs-amb}(\text{°C})$ $t_a=25\text{°C}$

