



for

LED



SimpoleD

SimpoleD-CIT-11780 for Citizen Modular Passive LED Cooler Φ 117mm

Features VS Benefits

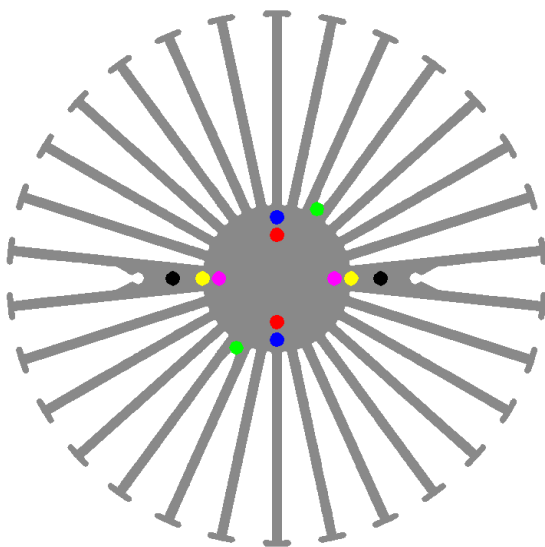
- * The SimpoleD-11750 Citizen Modular Passive LED Coolers are specifically designed for luminaires using the Citizen LED engines.
- * Mechanical compatibility with direct mounting of the LED engines to the LED cooler and thermal performance matching the lumen packages.
- * For spotlight and downlight designs from 2200 to 7400 lumen.
- * Thermal resistance range Rth 0.8°C/W.
- * Modular design with mounting holes foreseen for direct mounting of Citizen CLL030, CLL032, CLU034 and CLL042 COB engines.
- * Diameter 117mm - standard height 80mm Other heights on request.
- * Extruded from highly conductive aluminum.



Citizen LED engine and radiator assembly directly Mounting Options

- * Below you find an overview of Citizen COB's which standard fit on the SimpoleD coolers.
- * In this way mechanical after work and related costs can be avoided, and lighting designers can standardize their designs on a limited number of LED coolers.

CITIZEN
Micro HumanTech



Citizen LED Modules Mounting indicator marks overview

Citizen CLL020-022 LED Modules:

CLL020-1202A5-50xxxx;	CLL020-1203A5-50xxxx;
CLL020-1202A5-40xxxx;	CLL020-1203A5-40xxxx;
CLL020-1202A5-35xxxx;	CLL020-1203A5-35xxxx;
CLL020-1202A5-30xxxx;	CLL020-1203A5-30xxxx;
CLL020-1202A5-27xxxx;	CLL020-1203A5-27xxxx;

CLL022-1202A5-50xxxx;	CLL022-1203A5-50xxxx;
CLL022-1202A5-40xxxx;	CLL022-1203A5-40xxxx;
CLL022-1202A5-35xxxx;	CLL022-1203A5-35xxxx;
CLL022-1202A5-30xxxx;	CLL022-1203A5-30xxxx;
CLL022-1202A5-27xxxx;	CLL022-1203A5-27xxxx;

Citizen CLU024 LED Modules:

CLU024-1201B8-50xxxx;	CLU024-1203B8-50xxxx;
CLU024-1201B8-40xxxx;	CLU024-1203B8-40xxxx;
CLU024-1201B8-35xxxx;	CLU024-1203B8-35xxxx;
CLU024-1201B8-30xxxx;	CLU024-1203B8-30xxxx;
CLU024-1201B8-27xxxx;	CLU024-1203B8-27xxxx;

CLU024-1202B8-50xxxx;	CLU024-1204B8-50xxxx;
CLU024-1202B8-40xxxx;	CLU024-1204B8-40xxxx;
CLU024-1202B8-35xxxx;	CLU024-1204B8-35xxxx;
CLU024-1202B8-30xxxx;	CLU024-1204B8-30xxxx;
CLU024-1202B8-27xxxx;	CLU024-1204B8-27xxxx;

- Zhaga Book 11 LED holder
- BJB Spotlight connector 47.319.6060.50
- TE Connectivity 1pc LED holder 6-2154874-1
- TE Connectivity Scalable 2pc LED holder 2-2154857-1
- Mounting with 2 screws M3 x 8mm
- Pink indicator marks.
- Direct mounting with machine screws M3x6mm;
- Red indicator marks.





for

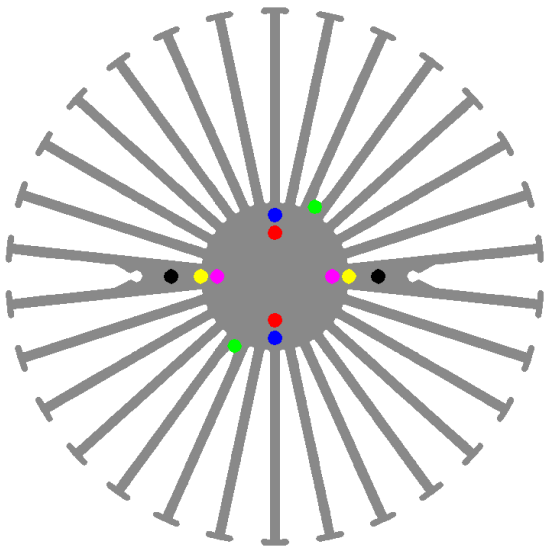
LED



SimpoleD

SimpoleD-CIT-11780 for Citizen Modular Passive LED Cooler Φ 117mm

CITIZEN
Micro HumanTech



Citizen LED Modules Mounting indicator marks overview

Citizen CLL030-CLL032 LED Modules:

- CLL030-1212A5-50xxxx ;
- CLL030-1212A5-40xxxx ;
- CLL030-1212A5-35xxxx ;
- CLL030-1212A5-30xxxx ;
- CLL030-1212A5-27xxxx ;

- CLL032-1212A5-50xxxx ;
- CLL032-1212A5-40xxxx ;
- CLL032-1212A5-35xxxx ;
- CLL032-1212A5-30xxxx ;
- CLL032-1212A5-27xxxx ;

- CLU034-1208B8-50xxxx ;
- CLU034-1208B8-40xxxx ;
- CLU034-1208B8-35xxxx ;
- CLU034-1208B8-30xxxx ;
- CLU034-1208B8-27xxxx ;

With Zhaga Book 3 LED holder
 BJB Spotlight connector 47.319.2020.50
 Mounting with 2 screws M3 x 10mm
 Green indicator marks
 Direct mounting with 2 screws M3 x 6mm
 Blue indicator marks

Citizen CLL040 Modules:

- CLL040-xxxxx-xxxxx ;
- CLL040-xxxxx-xxxxx ;
- CLL040-xxxxx-xxxxx ;
- CLL040-xxxxx-xxxxx ;
- CLL040-xxxxx-xxxxx ;
- CLL040-xxxxx-xxxxx ;

- CLL042-1218A5-50xxxx ;
- CLL042-1218A5-40xxxx ;
- CLL042-1218A5-35xxxx ;
- CLL042-1218A5-30xxxx ;
- CLL042-1218A5-27xxxx ;

With Zhaga Book 3 LED holder
 BJB Spotlight connector 47.319.2030.50
 Mounting with 2 screws M3 x 10mm
 Green indicator marks
 Direct mounting with 2 screws M3 x 6mm
 Yellow indicator marks

Citizen CLL050 CLL052 CLU054 Modules:

- CLL050-1825A1-50xxxx ;
- CLL052-1825B1-30xxxx ;
- CLL052-1825B1-40xxxx ;
- CLL052-1825B1-27xxxx ;
- CLL052-1825B1-35xxxx ;

Direct mounting with 2 screws M3 x 6mm
 Black indicator marks





for

LED



SimpoleD

SimpoleD-CIT-11780 for Citizen Modular Passive LED Cooler Φ 117mm

Mounting Options and Drawings & Dimensions

Example: SimpoleD-CIT-11780-B-3

Example: SimpoleD-CIT-117 **1** - **2** - **3**

1 Height (mm)

2 Anodising Color

B-Black

C-Clear

Z-Custom

3 Mounting Options - see graphics for details Combinations available

Ex.order code - 12

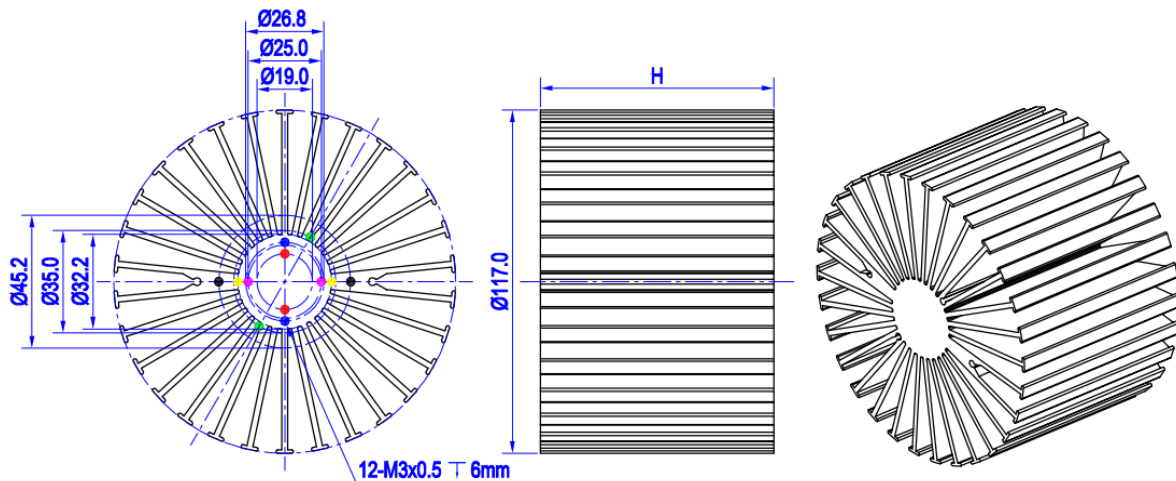
means option 1 and 2 combined

Notes:

- Mentioned models are an extraction of full product range.
- For specific mechanical adaptations please contact MingfaTech.
- MingfaTech reserves the right to change products or specifications without prior notice.



MOUNTING OPTION	Module type	Holder NO.	THREAD	THREAD DEPTH	THREAD HOLE DISTANCE
1	CLL020-022 CLU024	/	M3	6mm	19mm/ 2-@180°
2	CLL020-022 CLU024	BJB:47.319.6060.50 Zhaga Book11	M3	6mm	25mm/ 2-@180° Zhaga Book11
3	CLL030-032 CLU034	/	M3	6mm	26.8mm/ 2-@180°
4	CLL040-042 CLU044	/	M3	6mm	32.2mm/ 2-@180°
5	CLL030-032 CLU034	BJB:47.319.2020.50 Zhaga Book3	M3	6mm	35mm/ 2-@180° Zhaga Book3
	CLL040-042 CLU044	BJB:47.319.2030.50 Zhaga Book3			
6	CLL050-052 CLU054	/	M3	6mm	45.2mm/ 2-@180°



Tel: +86-769-39023131
 E-fax: +86-(020)28819702 ext:22122
 Email:sales@mingfatech.com
 Http://www.heatsinkled.com
 Http://www.mingfatech.com



SimpoleD

SimpoleD-CIT-11780 for Citizen Modular Passive LED Cooler Φ 117mm

The thermal data table

	 <i>SimpoleD-11780</i>
Model No.	SimpoleD-CIT-11780
Size	Φ117xH80mm
Material	AL6063-T5
Finish	Black Anodized
Weight(g)	774.0
Thermal Wattage	60.7W
HeatsinkOs-a²	231490
Heat Sink T_{Rise Above Ambient}	0.8

Dissipated Power Pd(W)	Pd = Pe x (1- η L)	Heat sink to ambient thermal resistance Rhs-amb (°C/W)	Heat sink to ambient temperature rise Ths-amb (°C)
		SimpoleD-CIT-11780	SimpoleD-CIT-11780
15		1.01	15.2
30		0.88	26.4
45		0.85	38.3
60		0.82	49.2
75		0.75	56.3
90		0.68	61.2

