



for

LED

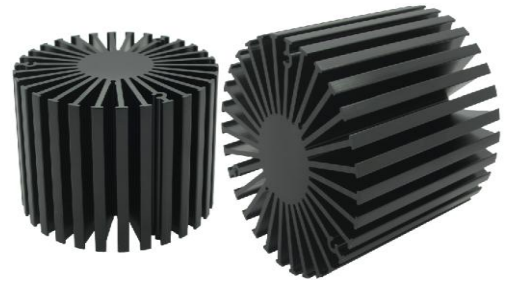


*SimpoleD*

**SimpoleD-BRI-8180 for Bridgelux Modular Passive LED Cooler  $\Phi$ 81mm**

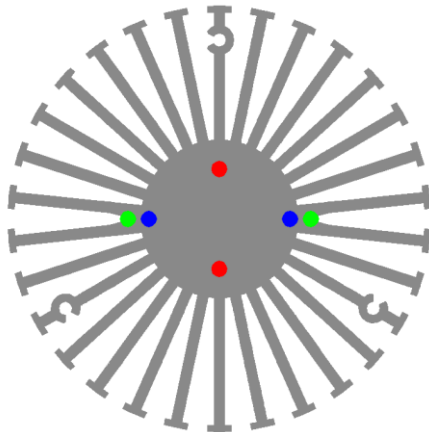
**Features VS Benefits**

- \* The SimpoleD-8180 Bridgelux Modular Passive LED Coolers are specifically designed for luminaires using the Bridgelux LED engines.
- \* Mechanical compatibility with direct mounting of the LED engines to the LED cooler and thermal performance matching the lumen packages.
- \* For spotlight and downlight designs from 1000 to 3700 lumen.
- \* Thermal resistance range Rth 1.6°C/W.
- \* Modular design with mounting holes foreseen for direct mounting of Bridgelux ES, ES Star Array Series, Vero 10 Array Series COB engines.
- \* Diameter 81mm - standard height 80mm Other heights on request.
- \* Extruded from highly conductive aluminum.



**Bridgelux LED engine and radiator assembly directly Mounting Options**

- \* Below you find an overview of Bridgelux COB's and LED modules which standard fit on the SimpoleD coolers.
- \* In this way mechanical after work and related costs can be avoided, and lighting designers can standardize their designs on a limited number of LED coolers.



**Bridgelux LED Modules directly Mounting Options**

**ES Rectangle Array Series LED engines:**

- |                    |                    |
|--------------------|--------------------|
| BXRA-27Exxxx-B-03; | BXRA-30Gxxxx-B-03; |
| BXRA-27Gxxxx-B-03; | BXRA-35Exxxx-B-03; |
| BXRA-30Exxxx-B-03; | BXRA-40Exxxx-B-03; |

With the Zhaga book 3 holders, Gree indicator marks.  
(BJB Holder:47.319.2040.50)  
Direct mounting with Self tapping screw M3x8mm;  
Red indicator marks.

**ES Star Array Series LED engines: BJB holder(47.313.1001.80) ro don't use holders**

- |                    |                    |
|--------------------|--------------------|
| BXRA-27E0540-A-03; | BXRA-30G0740-A-03; |
| BXRA-27G0540-A-03; | BXRA-40E0600-A-03; |
| BXRA-27E0740-A-03; | BXRA-40E0810-A-03; |
| BXRA-27G0740-A-03; | BXRA-50C1000-A-03; |
| BXRA-30E0540-A-03; | BXRA-56C0700-A-03; |
| BXRA-30G0540-A-03; | BXRA-56C1000-A-03; |
| BXRA-30E0740-A-03; |                    |

Direct mounting with Self tapping screw M3x8mm;  
Bule indicator marks.

**Vero 10 Array Series LED engines:**

- |                     |                     |
|---------------------|---------------------|
| BXRC-27E1000-B-xx ; | BXRC-40E1000-B-xx ; |
| BXRC-27G1000-B-xx ; | BXRC-40G1000-B-xx ; |
| BXRC-30E1000-B-xx ; | BXRC-50C1000-B-xx ; |
| BXRC-30G1000-B-xx ; | BXRC-50E1000-B-xx ; |
| BXRC-35E1000-B-xx ; | BXRC-50G1000-B-xx ; |

Direct mounting with Self tapping screw M3x8mm;  
Red indicator marks.



*SimpoLED*

SimpoLED-BRI-8180 for Bridgelux Modular Passive LED Cooler  $\Phi 81mm$

**Mounting Options and Drawings & Dimensions**

Example: SimpoLED-BRI-8180-B-3

Example: SimpoLED-BRI-81 **1** - **2** - **3**

**1** Height (mm)

**2** Anodising Color

B-Black

C-Clear

Z-Custom

**3** Mounting Options - see graphics for details Combinations available

Ex.order code - 12

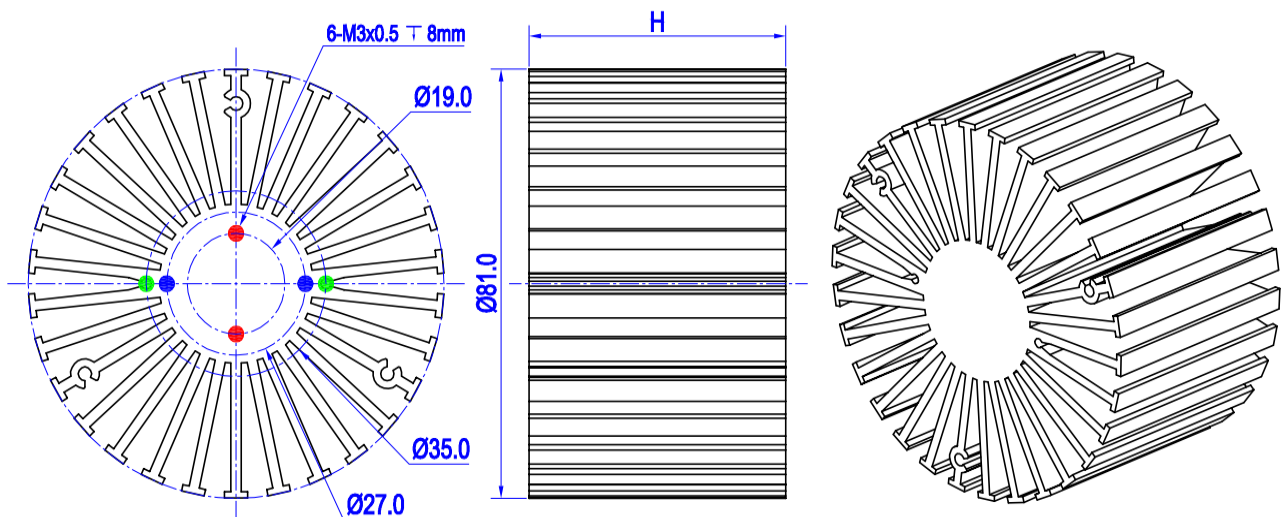
means option 1 and 2 combined

Notes:

- Mentioned models are an extraction of full product range.
- For specific mechanical adaptations please contact MingfaTech.
- MingfaTech reserves the right to change products or specifications without prior notice.



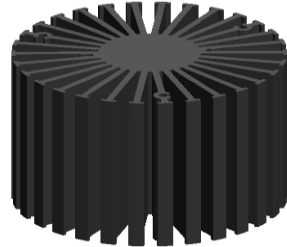
MOUNTING OPTION	Module type	Holder NO.	THREAD	THREAD DEPTH	THREAD HOLE DISTANCE
1	ES-Star Array Vero-10;	/	M3	8mm	19.0mm/ 2-@180°
	ES-Star Array	BJB 47.313.1001.80			
2	ES-Rectangle	/	M3	8mm	27.0mm/ 2-@180°
3		BJB 47.313.2040.50	M3	8mm	35.0mm/ 2-@180°



*SimpLED*

*SimpLED-BRI-8180 for Bridgelux Modular Passive LED Cooler Φ81mm*

The thermal data table

	 <i>SimpLED-8180</i>
<b>Model No.</b>	<b>SimpLED-BRI-8180</b>
<b>Size</b>	<b>Φ81xH80mm</b>
<b>Material</b>	<b>AL 6063-T5</b>
<b>Finish</b>	<b>Black Anodized</b>
<b>Weight(g)</b>	<b>508.0</b>
<b>Thermal Wattage</b>	<b>31.2W</b>
<b>HeatsinkOs-a<sup>2</sup></b>	<b>148406</b>
<b>Heat Sink T Rise Above Ambient</b>	<b>1.6</b>

Dissipated Power Pd(W)	Pd = Pe x (1-ηL)	Heat sink to ambient thermal resistance Rhs-amb (°C/W)	Heat sink to ambient temperature rise Ths-amb (°C)
		SimpLED-BRI-8180	SimpLED-BRI-8180
7		2.20	15.4
14		1.90	26.6
21		1.80	37.8
28		1.70	47.6
35		1.55	54.3

Heat sink to ambient temperature rise Ths-amb(°C) ta=25°C

