



for

LED



EtraLED

EtraLED-SHA-11020 Sharp Modular Passive Star LED Heat Sink Φ 110mm

Features VS Benefits

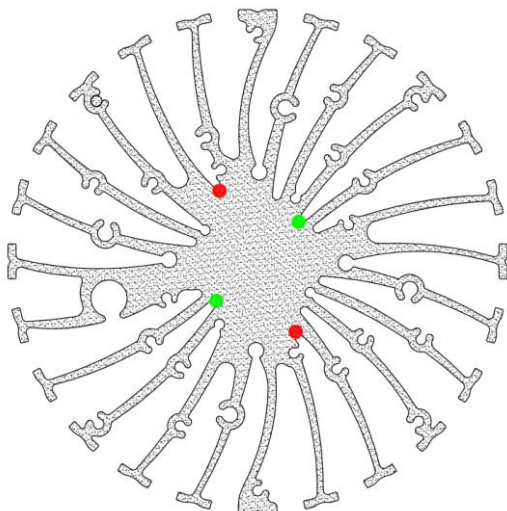
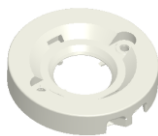
- * The EtraLED-SHA-11020 SHARP Modular Passive LED Coolers are specifically designed for luminaires using the SHARP LED engines.
- * Mechanical compatibility with direct mounting of the LED engines to the LED cooler and thermal performance matching the lumen packages.
- * For spotlight and downlight designs from 1200 to 4000 lumen.
- * Thermal resistance range R_{th} 1.5°C/W.
- * Modular design with mounting holes foreseen for direct mounting of SHARP Mini Zenigata, Tiger Zenigata and Mega Zenigata LED engines.
- * Diameter 110mm - standard height 20mm Other heights on request.
- * Extruded from highly conductive aluminum.



Zhaga LED engine and radiator assembly is a unified future international standardization

- * Below you find an overview of SHARP engines COB's and LED modules which standard fit on the EtraLED coolers.
- * In this way mechanical after work and related costs can be avoided, and lighting designers can standardize their designs on a limited number of LED coolers.

SHARP



Sharp LED Modules Mounting indicator marks overview

Mega Zenigata LED modules name:

- | | |
|--------------|--------------|
| GW6DGA27XFC; | GW6DMC27XFC; |
| GW6DGA30XFC; | GW6DMC30XFC; |
| GW6DGA40XFC; | GW6DMC40XFC; |
| GW6DGA50XFC; | GW6DMC50XFC; |
| GW6DGC27XFC; | GW6DMA27XFC; |
| GW6DGC30XFC; | GW6DMA30XFC; |
| GW6DGC40XFC; | GW6DMA35XFC; |
| GW6DGC50XFC; | GW6DMA40XFC; |
| GW6TGCBG40C; | GW6DMA50XFC; |

Zhaga Book3 Holders:
 BJB Spotlight connector:47.319.2011.50;
 TE Connectivity:2213130-2
 Direct mounting with machine screws M3x8mm;
 Red indicator marks

Mini Mega Zenigata LED modules name:

- | | |
|--------------|--------------|
| GW6BMR27HED; | GW6BGR27HED; |
| GW6BMR30HED; | GW6BGR30HED; |
| GW6BMR40HED; | GW6BGR40HED; |
| GW6BMR50HED; | GW6BGR50HED; |
| GW6BMS27HED; | GW6BGS27HED; |
| GW6BMS30HED; | GW6BGS30HED; |
| GW6BMS40HED; | GW6BGS40HED; |
| GW6BMS50HED; | GW6BGS50HED; |

Zhaga Book11 Holders:
 BJB Spotlight connector:47.319.6180.50;
 Direct mounting with machine screws M3x8mm;
 Gree indicator marks

Tel:+86-769-39023131
 E-fax:+86-(020)28819702 ext:22122
 Email:sales@mingfatech.com
 Http://www.heatsinkled.com
 Http://www.mingfatech.com





for

LED



EtraLED

EtraLED-SHA-11020 Sharp Modular Passive Star LED Heat Sink Φ 110mm

Mounting Options and Drawings & Dimensions

Example:EtraLED-SHA-11020-B-3

Example:EtraLED-SHA-110 **1** - **2** - **3**

1 Height (mm)

2 Anodising Color
 B-Black
 C-Clear
 Z-Custom

3 Mounting Options - see graphics for details Combinations available
 Ex.order code - 12
 means option 1 and 2 combined

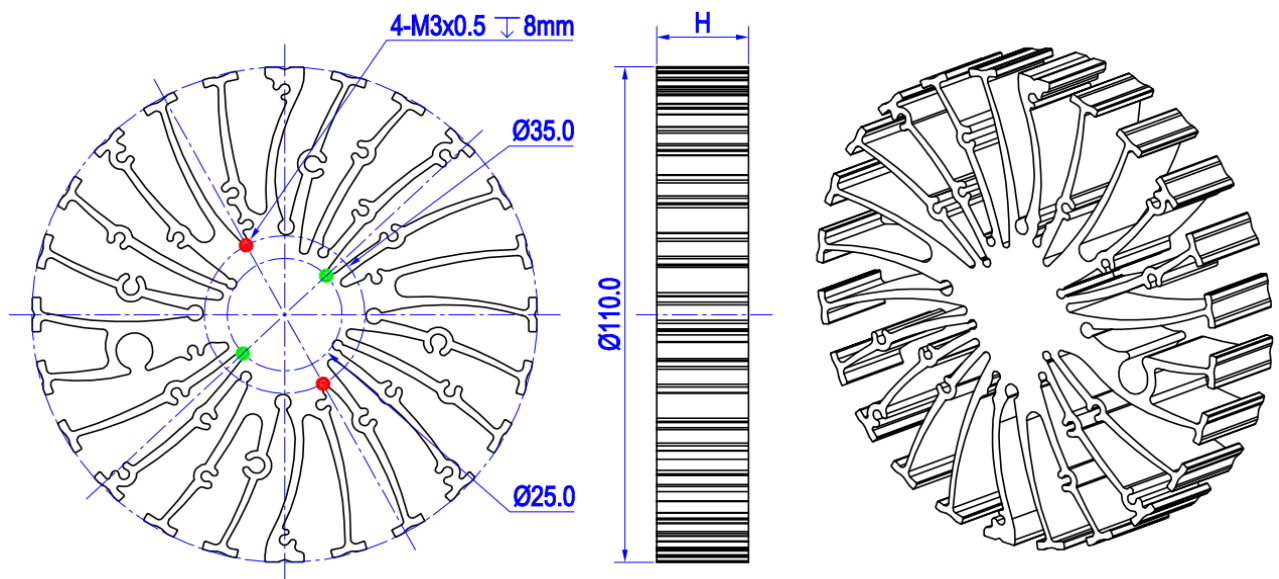
Notes:

- Mentioned models are an extraction of full product range.
- For specific mechanical adaptations please contact MingfaTech.
- MingfaTech reserves the right to change products or specifications without prior notice.

SHARP



MOUNTING OPTION	Module type	Holder NO.	THREAD	THREAD DEPTH	THREAD HOLE DISTANCE
1	Mini ZENIGATA	BJB:(47.319.6180 .50)	M3	8mm	25.0mm/ @180°
2	Mega ZENIGATA Tiger Zenigataand	BJB:(47.319.2011 .50)	M3	8mm	35.0mm/ @180°
		Type :(2213130-2)			



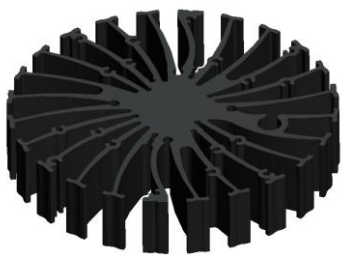
Tel:+86-769-39023131
 E-fax:+86-(020)28819702 ext:22122
 Email:sales@mingfatech.com
 Http://www.heatsinkled.com
 Http://www.mingfatech.com



EtraLED

EtraLED-SHA-11020 Sharp Modular Passive Star LED Heat Sink $\Phi 110\text{mm}$

The thermal data table

	 <i>EtraLED-11020</i>
Model No.	EtraLED-SHA-11020
Size	$\Phi 110 \times H 20\text{mm}$
Material	AL6063-T5
Finish	Black Anodized
Weight(gr)	165.0
Thermal Wattage	33.0W
Heatsink $\Theta_s\text{-}a^2$	53311
Heat Sink T Rise Above Ambient	1.50

Dissipated Power P_d (W)	$P_d = P_e \times (1-\eta_L)$	Heat sink to ambient thermal resistance R_{hs-amb} ($^{\circ}\text{C}/\text{W}$)	Heat sink to ambient temperature rise T_{hs-amb} ($^{\circ}\text{C}$)
		EtraLED-SHA-11020	EtraLED-SHA-11020
7		1.9	13
14		1.6	23
21		1.6	34
28		1.5	42
35		1.5	51

