



for

LED



EtraLED

EtraLED-PHI-7080 for Philips Modular Passive Star LED Heat Sink Φ 70mm

Features VS Benefits

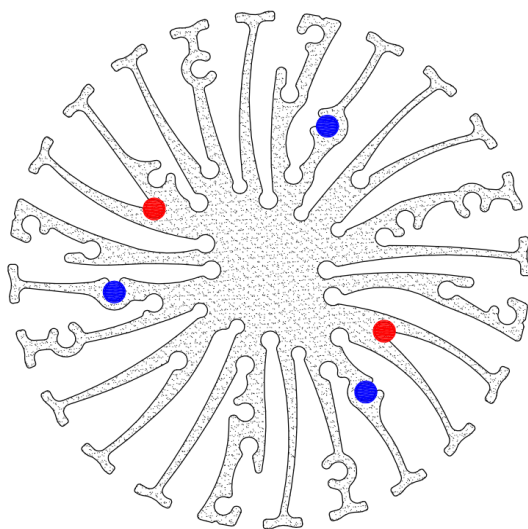
- * The EtraLED-PHI-7080 Philips Modular Passive LED Coolers are specifically designed for luminaires using the Philips LED engines.
- * Mechanical compatibility with direct mounting of the LED engines to the LED cooler and thermal performance matching the lumen packages.
- * For spotlight and downlight designs from 800 to 3300 lumen.
- * Thermal resistance range R_{th} 1.8°C/W.
- * Modular design with mounting holes foreseen for direct mounting of Philips SLM engines.
- * Diameter 70mm - standard height 80mm Other heights on request.
- * Extruded from highly conductive aluminum.



Zhaga LED engine and radiator assembly is a unified future international standardization

- * Below you find an overview of philips engines COB's and LED modules which standard fit on the EtraLED coolers.
- * In this way mechanical after work and related costs can be avoided, and lighting designers can standardize their designs on a limited number of LED coolers.

PHILIPS



Philips LED engines for which Zhaga book3 LED Modules holders are available.

Philips Fortimo SLM LED modular Gen4:

- Fortimo LED SLM 1100LM 827 L9 G4;
- Fortimo LED SLM 1100LM 830 L9 G4;
- Fortimo LED SLM 1100LM 840 L9 G4;
- Fortimo LED SLM 1100LM 827 L13 G4;
- Fortimo LED SLM 1100LM 830 L13 G4;
- Fortimo LED SLM 1100LM 840 L13 G4;
- Fortimo LED SLM 2000LM 830 L13 G4;
- Fortimo LED SLM 2000LM 840 L13 G4;
- Fortimo LED SLM 2000LM 927 L13 G4;
- Fortimo LED SLM 2000LM 930 L13 G4;
- Fortimo LED SLM 3000LM 830 L15 G4;
- Fortimo LED SLM 3000LM 840 L15 G4;
- Fortimo LED SLM 3000LM 927 L15 G4;
- Fortimo LED SLM 3000LM 930 L15 G4;

Philips Fortimo SLM LED modular Gen3:

- Fortimo LED SLM 2000LM 830 L19 G3;
- Fortimo LED SLM 2000LM 840 L19 G3;
- Fortimo LED SLM 2000LM 930 L19 G3;
- Fortimo LED SLM 3000LM 830 L19 G3;
- Fortimo LED SLM 3000LM 840 L19 G3;
- Fortimo LED SLM 3000LM 930 L19 G3;

Philips Fortimo SLM LED modular Gen2:

- Fortimo LED SLM 800LM XXX L13 G2;
- Fortimo LED SLM 1100LM XXX L13 G2;
- Fortimo LED SLM 2000LM XXX L19 G2;

NO'1: Blue indicator marks:

Direct mounting with machine screws M3x8mm;

NO'2: With Zhaga Book 3 LED holder for red indicator marks.

Direct mounting with machine screws M3x8mm;

Tel:+86-769-39023131

E-fax:+86-(020)28819702 ext:22122

Email:sales@mingfatech.com

Http://www.heatsinkled.com

Http://www.mingfatech.com





for

LED



EtraLED EtraLED-PHI-7080 for Philips Modular Passive Star LED Heat Sink Φ 70mm

Mounting Options and Drawings & Dimensions

Example: EtraLED-PHI-7050-B-3

Example: EtraLED-PHI-70 **1** - **2** - **3**

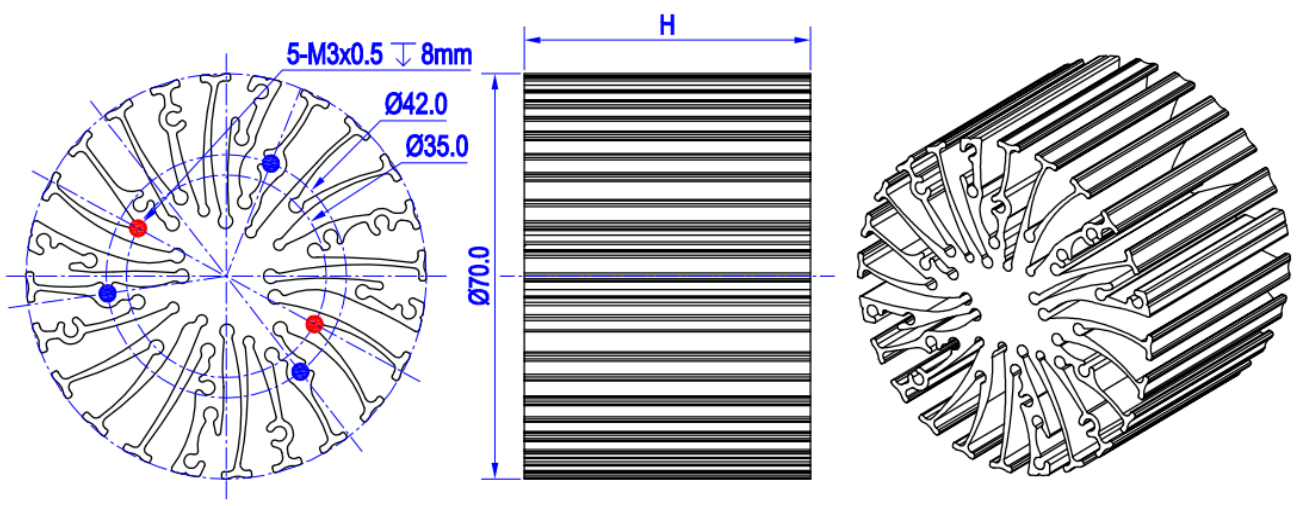
- 1** Height (mm)
- 2** Anodising Color
B-Black
C-Clear
Z-Custom
- 3** Mounting Options - see graphics for details Combinations available
Ex.order code - 12
means option 1 and 2 combined

Notes:

- Mentioned models are an extraction of full product range.
- For specific mechanical adaptations please contact MingfaTech.
- MingfaTech reserves the right to change products or specifications without prior notice.



MOUNTING OPTION	Module type	Holder NO.	THREAD	THREAD DEPTH	THREAD HOLE DISTANCE
1	Fortimo SLM	/	M3	8mm	35.0mm/ 2-@180°
2		/	M3	8mm	42.0mm/ 3-@120°



Tel:+86-769-39023131
E-fax:+86-(020)28819702 ext:22122
Email:sales@mingfatech.com
Http://www.heatsinkled.com
Http://www.mingfatech.com



EtraLED

EtraLED-PHI-7080 for Philips Modular Passive Star LED Heat Sink $\Phi 70\text{mm}$

The thermal data table

	 <i>EtraLED-7080</i>
Model No.	EtraLED-PHI-7080
Size	$\Phi 70 \times H 80\text{mm}$
Material	AL6063-T5
Finish	Black Anodized
Weight(gr)	308.0
Thermal Wattage	28.1W
Heatsink$\Theta_s\text{-a}^2$	124837
Heat Sink T Rise Above Ambient	1.8

Dissipated Power Pd(W)	Pd = Pe x (1- η L)	Heat sink to ambient thermal resistance Rhs-amb ($^{\circ}\text{C}/\text{W}$)	Heat sink to ambient temperature rise Ths-amb ($^{\circ}\text{C}$)
		EtraLED-PHI-7080	EtraLED-PHI-7080
5		2.80	13.0
10		2.35	24.0
15		2.15	32.0
20		1.92	39.0
30		1.80	53.0

