



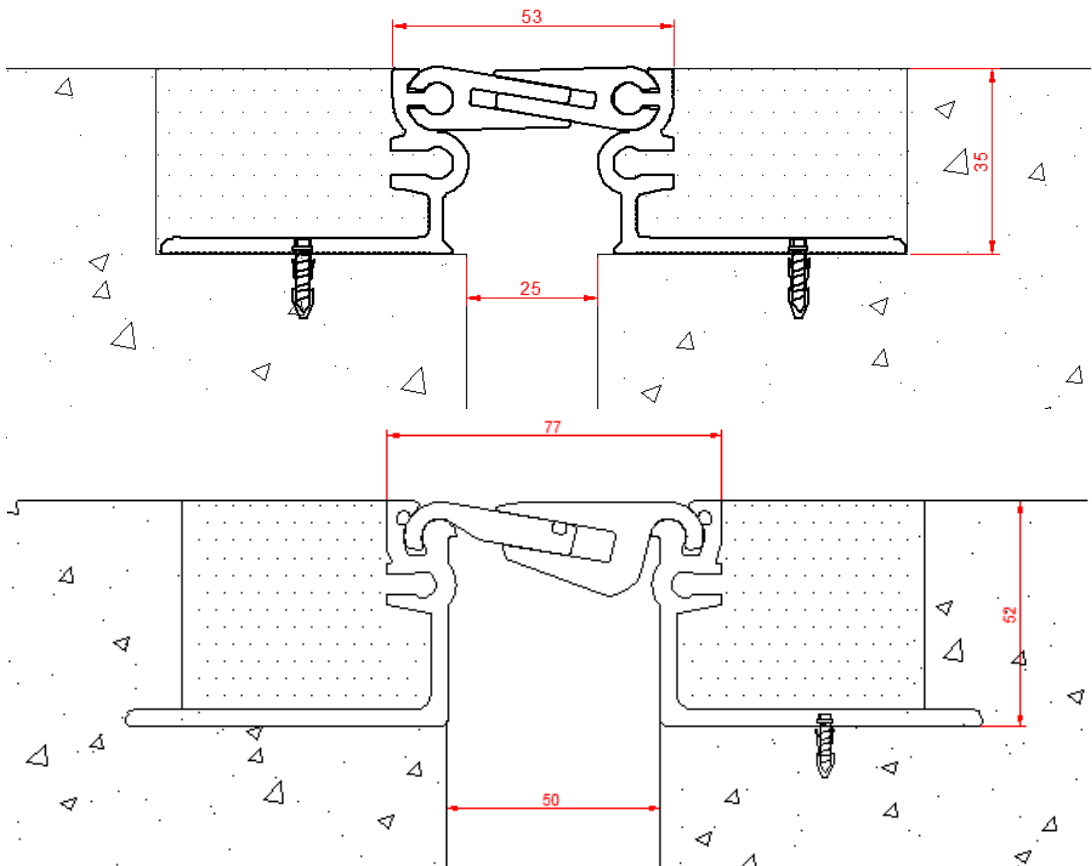
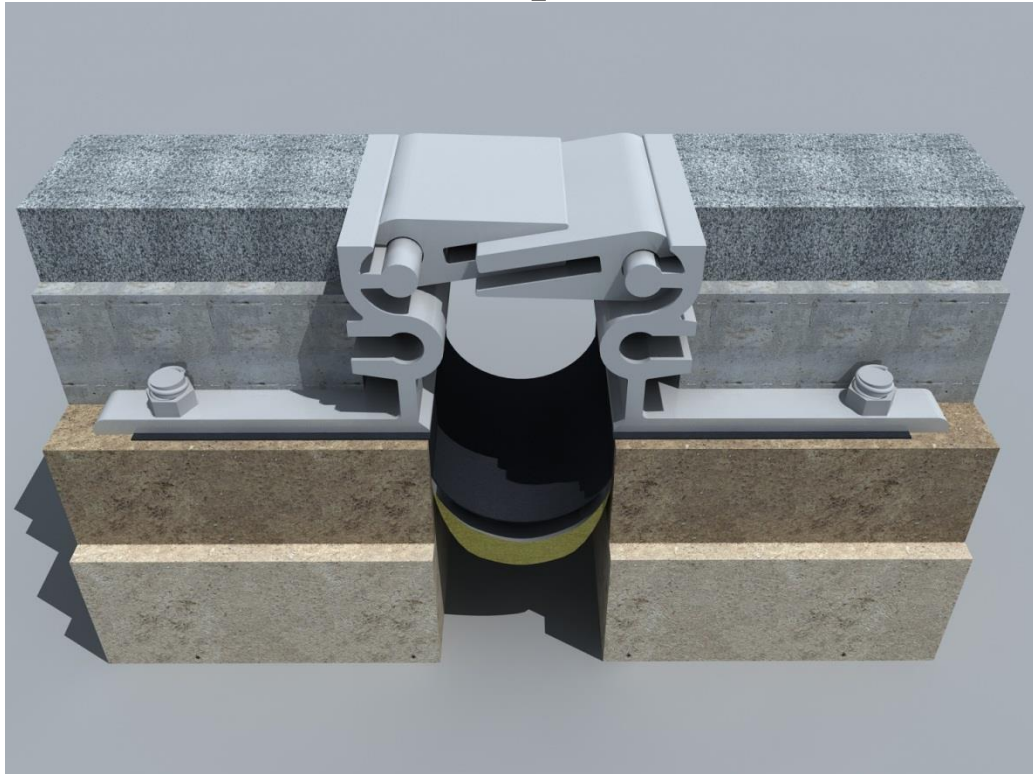
# MEISHUO Building Materials CO.,Ltd

Office: No.608, Huaqiao Square, Pukou district, Nanjing,China

Tel: 0086-025-58196288 Fax:0086-025-58196399

Website: [www.msbox.com](http://www.msbox.com) E-mail:mandy@msbox.com

## MSCZYH-1 Expansion Joint





# MEISHUO Building Materials CO.,Ltd

Office: No.608, Huaqiao Square, Pukou district, Nanjing,China

Tel: 0086-025-58196288 Fax:0086-025-58196399

Website: [www.msbox.com](http://www.msbox.com) E-mail:mandy@msbox.com

## MSCZYH-1 Expansion Joint Specification Data

### Product Description:

An architectural line of thermal, seismic, waterproof and fire rated expansion joint systems meeting the aesthetic and structural demands of airports, hospitals, shopping malls and other building types.

Applications with heavy rolling loads such as:

- Forklifts with full or pneumatic tires of a permissible total weight equal to 15,700lbs.
- Trucks with pneumatic tires of a permissible total weight equal to 67,400 lbs.
- Vehicles and goods handling trucks with tires of hard plastics. The permissible load dependant on tire width is 14.33 lbs. per every mm of a tire width.

Performance Characteristics:

The unique interlocking cover design allows for horizontal movement in the floor slab, as well as some vertical deflection, and is designed to withstand heavy and frequent rolling loads.

This system is also ideal for areas where significant foot traffic is expected such as malls and airports and is considered extremely low maintenance. The interlocking cover assembly utilizes precision gaskets to eliminate any metal-to-metal noise and to prevent the infiltration of liquids.

### BASIC USES:

MODEL	JOINT WIDTH	MINIMUM OPENING	MAXIMUM OPENING	EXPOSED SURFACE	BLOCKOUT WIDTH	BLOCKOUT HEIGHT
MSCZYH-1-25	25mm	20mm	35mm	53mm	102mm	VARIES
MSCZYH-1-50	50mm	40mm	60mm	77mm	102mm	VARIES



## **MEISHUO Building Materials CO.,Ltd**

**Office: No.608, Huaqiao Square, Pukou district, Nanjing,China**

**Tel: 0086-025-58196288 Fax:0086-025-58196399**

**Website: [www.msbox.com](http://www.msbox.com) E-mail:mandy@msbox.com**

### **TECHNICAL DATA:**

#### **MATERIALS:**

**Aluminum:** ASTM 6063 T5, Mill finish, anodized

#### **WARRANTY:**

Meishuo warrants that its products are manufactured free of defects and conform to the technical data listed. Under this warranty, we will replace any material proven defective when applied in accordance with our written instructions for applications recommended by us as suitable for subject products. Meishuo shall not be liable for any injury, loss or damage, direct or consequential, arising out of the use of the product.