



for

LED

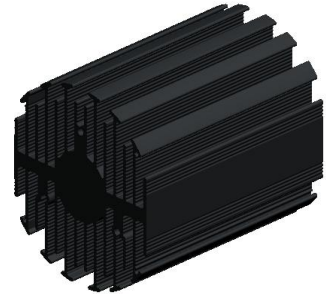


eLED

eLED-PHI-7080 for Philips Modular Passive Star LED Heat Sink Φ 70mm

Features VS Benefits

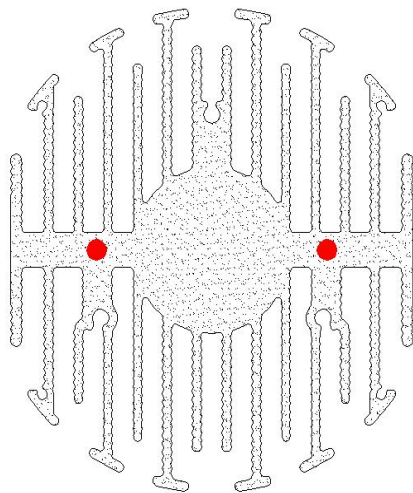
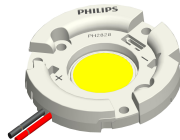
- * The eLED-PHI-7080 Philips Modular Passive LED Coolers are specifically designed for luminaires using the Philips LED engines.
- * Mechanical compatibility with direct mounting of the LED engines to the LED cooler and thermal performance matching the lumen packages.
- * For spotlight and downlight designs from 1200 to 3000 lumen.
- * Thermal resistance range R_{th} 1.77°C/W.
- * Modular design with mounting holes foreseen for direct mounting of Philips SLM engines.
- * Diameter 70mm - standard height 80mm Other heights on request.
- * Extruded from highly conductive aluminum.



Zhaga LED engine and radiator assembly is a unified future international standardization

- * Below you find an overview of philips engines COB's and LED modules which standard fit on the eLED coolers.
- * In this way mechanical after work and related costs can be avoided, and lighting designers can standardize their designs on a limited number of LED coolers.

PHILIPS



Philips LED engines for which Zhaga book3 LED Modules holders are available.

Philips Fortimo SLM LED modular Gen4:

- Fortimo LED SLM 1100LM 827 L9 G4;
- Fortimo LED SLM 1100LM 830 L9 G4;
- Fortimo LED SLM 1100LM 840 L9 G4;
- Fortimo LED SLM 1100LM 827 L13 G4;
- Fortimo LED SLM 1100LM 830 L13 G4;
- Fortimo LED SLM 1100LM 840 L13 G4;
- Fortimo LED SLM 2000LM 830 L13 G4;
- Fortimo LED SLM 2000LM 840 L13 G4;
- Fortimo LED SLM 2000LM 927 L13 G4;
- Fortimo LED SLM 2000LM 930 L13 G4;
- Fortimo LED SLM 3000LM 830 L15 G4;
- Fortimo LED SLM 3000LM 840 L15 G4;
- Fortimo LED SLM 3000LM 927 L15 G4;
- Fortimo LED SLM 3000LM 930 L15 G4;

Philips Fortimo SLM LED modular Gen3:

- Fortimo LED SLM 2000LM 830 L19 G3;
- Fortimo LED SLM 2000LM 840 L19 G3;
- Fortimo LED SLM 2000LM 930 L19 G3;
- Fortimo LED SLM 3000LM 830 L19 G3;
- Fortimo LED SLM 3000LM 840 L19 G3;
- Fortimo LED SLM 3000LM 930 L19 G3;

Philips Fortimo SLM LED modular Gen2:

- Fortimo LED SLM 800LM XXX L13 G2;
- Fortimo LED SLM 1100LM XXX L13 G2;
- Fortimo LED SLM 2000LM XXX L19 G2;

NO'2: With Zhaga Book 3 LED holder for red indicator marks.
Direct mounting with machine screws M3x8mm;



eLED

eLED-PHI-7080 for Philips Modular Passive Star LED Heat Sink $\Phi 70\text{mm}$

Mounting Options and Drawings & Dimensions

Example: eLED-PHI-7050-B-3

Example: eLED-PHI-70 **1** - **2** - **3**

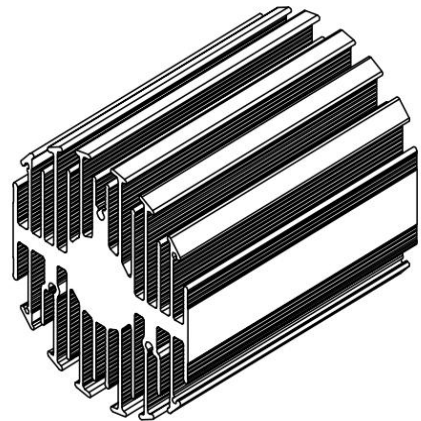
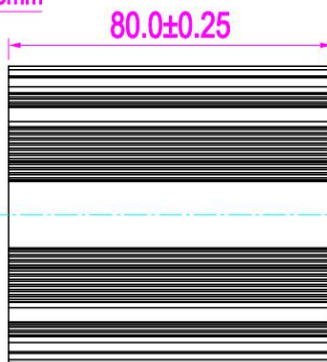
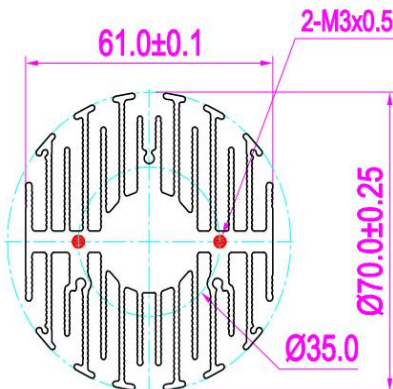
- 1** Height (mm)
- 2** Anodising Color
B-Black
C-Clear
Z-Custom
- 3** Mounting Options - see graphics for details Combinations available
Ex.order code - 12
means option 1 and 2 combined

Notes:

- Mentioned models are an extraction of full product range.
- For specific mechanical adaptations please contact MingfaTech.
- MingfaTech reserves the right to change products or specifications without prior notice.



MOUNTING OPTION	Module type	Holder NO.	THREAD	THREAD DEPTH	THREAD HOLE DISTANCE
1	Fortimo SLM	/	M3	6.5mm	35.0mm/ 2-@180°



eLED

eLED-PHI-7080 for Philips Modular Passive Star LED Heat Sink Φ 70mm

The thermal data table

	 <i>eLED-7080</i>
Model No.	eLED-PHI-7080
Size	Φ70xH80mm
Material	AL6063-T5
Finish	Black Anodized
Weight(gr)	329
Thermal Wattage	28.2W
HeatsinkOs-a²	115563
Heat Sink T_{Rise} Above Ambient	1.77

Dissipated Power P _d (W)	Pd = Pe x (1-η _L)	Heat sink to ambient thermal resistance R _{hs-amb} (°C/W)	Heat sink to ambient temperature rise T _{hs-amb} (°C)
		eLED-PHI-7080	
6		2.5	15
12		2.2	26
18		1.9	34
24		1.8	43
30		1.7	51

