

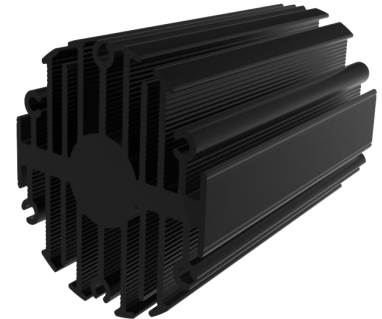


eLED

eLED-PRO-4680 Prolight Modular Passive Star LED Heat Sink Φ 46mm

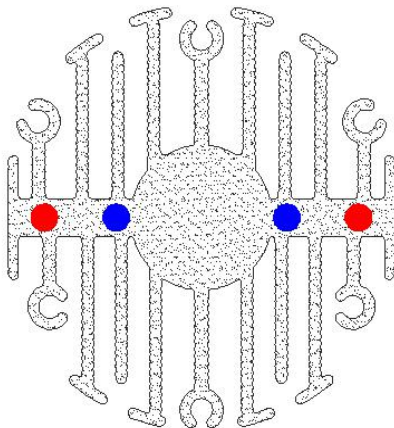
Features VS Benefits

- * The eLED-PRO-4680 Prolight Modular Passive Star LED Heat Sinks are specifically designed for luminaires using the Prolight LED engines.
- * Mechanical compatibility with direct mounting of the LED engines to the LED cooler and thermal performance matching the lumen packages.
- * For spotlight and downlight designs from 600 to 1600 lumen.
- * Thermal resistance range R_{th} 3.8°C/W.
- * Modular design with mounting holes foreseen for direct mounting of Prolight COB series LED engines.
- * Diameter 46.5mm - standard height 80mm Other heights on request.
- * Extruded from highly conductive aluminum.



Zhaga LED engine and radiator assembly is a unified future international standardization

- * Below you find an overview of Prolight COB's and LED modules which standard fit on the eLED Star LED Heat Sinks.
- * In this way mechanical after work and related costs can be avoided, and lighting designers can standardize their designs on a limited number of Star LED Heat Sinks.



Prolight LED engines Mounting Options

COB CI Series Modules names:

- PACB-5xxx-xxxx ;
- PACB-7xxx-xxxx ;
- PACB-9xxx-xxxx ;

With Zhaga Book 11 for pink indicator marks:
 BJB Holder:47.319.6060.50;
 Direct mounting with machine screws M3x6mm;
 Without LED holders for blue indicator marks.
 Direct mounting with machine screws M3x6mm;

COB BI Series Modules names:

- PABA-15xxx-xxxx ;
- PABA-26xxx-xxxx ;
- PABA-35xxx-xxxx ;

With Zhaga Book 3 for red indicator marks:
 BJB Holder:47.319.2040.50;
 Direct mounting with machine screws M3x6mm;

COB BS Series Modules names:

- PABS-6xxx-xxxx ;
- PABS-9xxx-xxxx ;

For the blue indicator marks.
 Direct mounting with machine screws M3x6mm;

eLED

eLED-PRO-4680 Prolight Modular Passive Star LED Heat Sink Φ 46mm

Mounting Options and Drawings & Dimensions

Example: eLED-PRO-4680-B-1

Example: eLED-PRO-4680-1-2-3

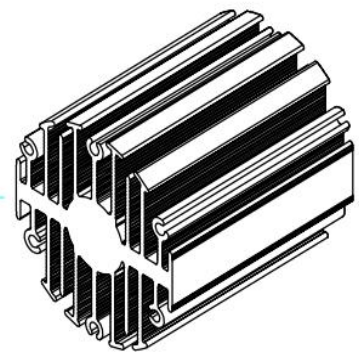
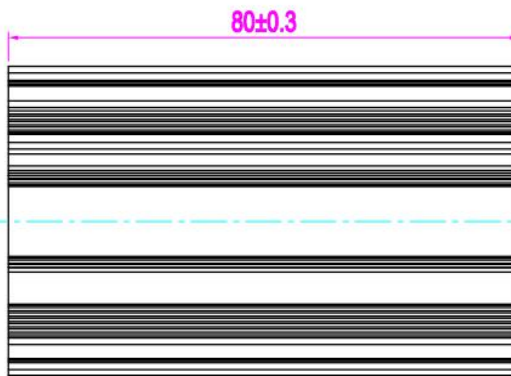
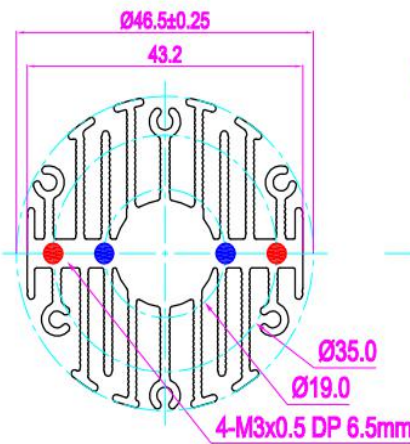
- 1 Height (mm)
- 2 Anodising Color
B-Black
C-Clear
Z-Custom
- 3 Mounting Options - see graphics for details Combinations available
Ex.order code - 12
means option 1 and 2 combined



Notes:

- Mentioned models are an extraction of full product range.
- For specific mechanical adaptations please contact MingfaTech.
- MingfaTech reserves the right to change products or specifications without prior notice.

MOUNTING OPTION	Module type	Holder NO.	THREAD	THREAD DEPTH	THREAD HOLE DISTANCE
1	COB CI Series COB BS Series	/	M3	6.5mm	19.0mm/ 2-@180°
2		BJB 47.319.2040.50	M3	6.5mm	35.0mm/ 2-@180° Zhaga Book3



eLED

eLED-PRO-4680 Prolight Modular Passive Star LED Heat Sink Φ 46mm

The thermal data table

	 <i>eLED-4680</i>
Model No.	eLED-PRO-4680
Size	Φ46.5xH80mm
Material	AL6063-T5
Finish	Black Anodized
Weight(gr)	161.5
Thermal Wattage	13.0W
HeatsinkOs-a²	65150
Heat Sink T_{Rise} Above Ambient	3.8

Dissipated Power Pd(W)	Pd = Pe x (1- η L)	Heat sink to ambient thermal resistance Rhs-amb ($^{\circ}$ C/W)	Heat sink toambienttemperature riseThs-amb ($^{\circ}$ C)
		eLED-PRO-4680	
	3	4.67	14
	6	4.67	28
	9	4.33	39
	12	4.00	48
	15	3.73	56

