



for

LED

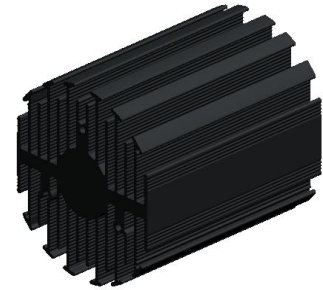


eLED

**eLED-SAM-7080 Samsung Modular Passive Star LED Heat Sink Φ70mm**

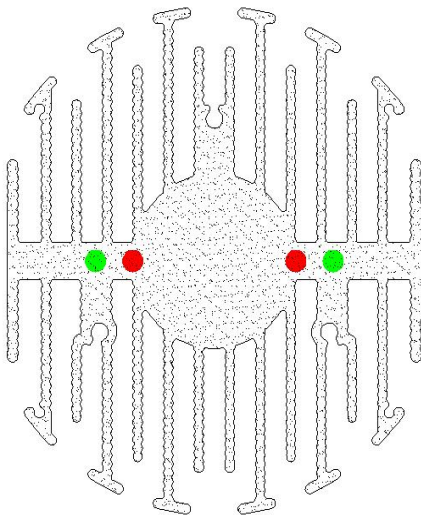
**Features VS Benefits**

- \* The eLED-SAM-7080 Samsung Modular Passive LED Star Heat Sinks are specifically designed for luminaires using the Samsung LED engines.
- \* Mechanical compatibility with direct mounting of the LED engines to the LED cooler and thermal performance matching the lumen packages.
- \* For spotlight and downlight designs from 1200 to 3000 lumen.
- \* Thermal resistance range Rth 1.77°C/W.
- \* Modular design with mounting holes foreseen for direct mounting of Samsung COB LED engines.
- \* Diameter 70mm - standard height 80mm Other heights on request.
- \* Extruded from highly conductive aluminum.



**Zhaga LED engine and radiator assembly is a unified future international standardization**

- \* Below you find an overview of Samsung COB's and LED modules which standard fit on the Star LED Heat Sinks.
- \* In this way mechanical after work and related costs can be avoided, and lighting designers can standardize their designs on a limited number of Star LED Heat Sinks.



**Samsung LED Modules Mounting indicator marks overview**

**For the LC019 B LED engines.**

- SPHWW1HDNB25YHW32J;
- SPHWW1HDNB25YHV32J;
- SPHWW1HDNB25YHU32J;
- SPHWW1HDNB25YHT32J;
- SPHCW1HDNB25YHRT2J;

**Direct mounting with machine screws M3x6mm;  
Red indicator marks.**

**For the LC026 B LED engines.**

- SPHWW1HDNC27YHW32F;
- SPHWW1HDNC27YHV32F;
- SPHWW1HDNC27YHU32F;
- SPHWW1HDNC27YHT32F;
- SPHWW1HDNC25YHW32F;
- SPHWW1HDNC25YHV32F;
- SPHWW1HDNC25YHU32F;
- SPHWW1HDNC25YHT32F;
- SPHCW1HDNC25YHRT3F;

**NO 1: With Zhaga Book3 Holders:  
NOTE Connectivity: Z50 2213258-2;  
NO 2: BJB holder: 47.359.1001.50;**





for

LED



eLED

eLED-SAM-7080 Samsung Modular Passive Star LED Heat Sink  $\Phi$ 70mm

Mounting Options and Drawings & Dimensions

Example:eLED-SAM-7080-B-1

Example:eLED-SAM-70 **1** - **2** - **3**

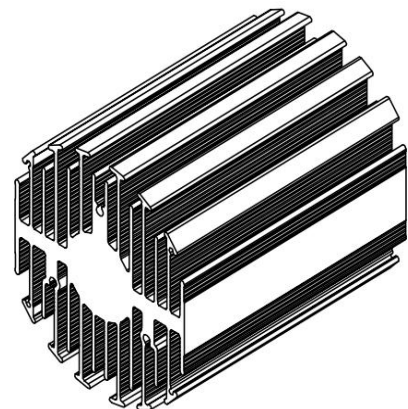
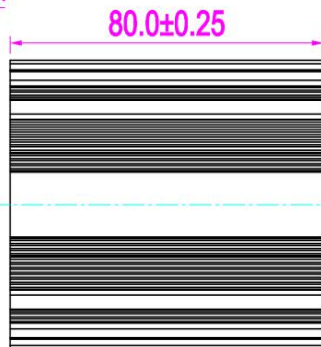
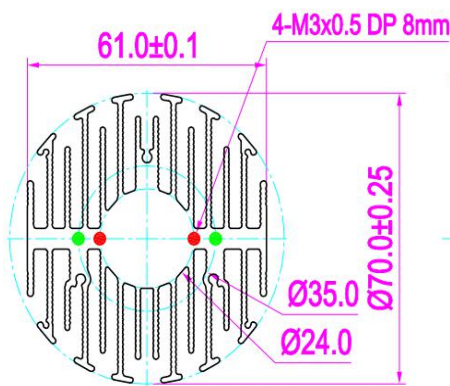
- 1** Height (mm)
- 2** Anodising Color  
B-Black  
C-Clear  
Z-Custom
- 3** Mounting options;  
On request;  
Mounting holes, cable holes;  
Screw thread, thermal interface pad.

Notes:

- Mentioned models are an extraction of full product range.
- For specific mechanical adaptations please contact MingfaTech.
- MingfaTech reserves the right to change products or specifications without prior notice.



MOUNTING OPTION	Module type	Holder NO.	THREAD	THREAD DEPTH	THREAD HOLE DISTANCE
1	LC019	/	M3	6.5mm	24.0mm/ @2-180°
2	LC026	Type 2-2154857-3	M3	6.5mm	35.0mm/ @2-180°



Tel: +86-769-39023131  
 E-fax: +86-(020)28819702 ext:22122  
 Email:sales@mingfatech.com  
 Http://www.heatsinkled.com  
 Http://www.mingfatech.com



*eLED*

**eLED-SAM-7080 Samsung Modular Passive Star LED Heat Sink Φ70mm**

The thermal data table

	 <i>eLED-7080</i>
<b>Model No.</b>	<b>eLED-SAM-7080</b>
<b>Size</b>	<b>Φ70xH80mm</b>
<b>Material</b>	<b>AL6063-T5</b>
<b>Finish</b>	<b>Black Anodized</b>
<b>Weight(g)</b>	<b>329.0</b>
<b>Thermal Wattage</b>	<b>28.2W</b>
<b>HeatsinkΘs-a<sup>2</sup></b>	<b>115563</b>
<b>Heat Sink T Rise Above Ambient</b>	<b>1.77</b>

Dissipated Power Pd(W)	Heat sink to ambient thermal resistance Rhs-amb (°C/W)		Heat sink to ambient temperature rise Ths-amb (°C)	
	eLED-SAM-7080			
6	2.5		15	
12	2.2		26	
18	1.9		34	
24	1.8		43	
30	1.7		51	

