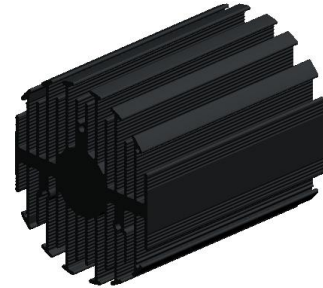


eLED

eLED-NIC-7080 Nichia Modular Passive Star LED Heat Sink Φ 70mm

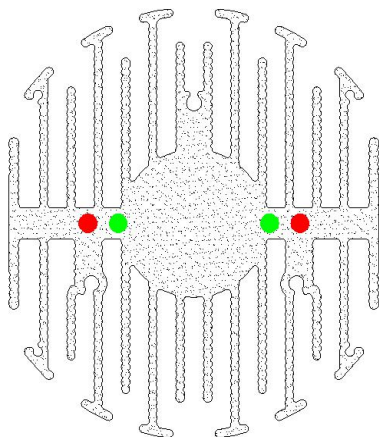
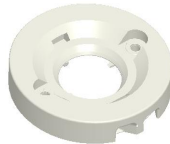
Features VS Benefits

- * The eLED-NIC-7080 Nichia Modular Passive Star LED Heat Sinks are specifically designed for luminaires using the Nichia LED engines.
- * Mechanical compatibility with direct mounting of the LED engines to the LED cooler and thermal performance matching the lumen packages.
- * For spotlight and downlight designs from 1200 to 3000 lumen.
- * Thermal resistance range R_{th} 1.77°C/W.
- * Modular design with mounting holes foreseen for direct mounting of Nichia COB LED engines.
- * Diameter 70mm - standard height 80mm Other heights on request.
- * Extruded from highly conductive aluminum.



Zhaga LED engine and radiator assembly is a unified future international standardization

- * Below you find an overview of Nichia engines COB's and LED modules which standard fit on the eLED Star LED Heat Sinks.
- * In this way mechanical after work and related costs can be avoided, and lighting designers can standardize their designs on a limited number of LED Star LED Heat Sinks.



Nichia LED engines Mounting Options.

Nichia COB LED modules name:

- NJCWS024Z;
- NJCLS024Z;

Zhaga Book11 Holders:

- BJB holder:47.319.6180.50;
- A.A.G Stucchi holder:8300/G2
- Direct mounting with machine screws M3x8mm;
- Green indicator marks

Nichia COB LED modules name:

- NFCWL036B;
- NFCLL036B;
- NFCWL060B;
- NFCLL060B;

Zhaga Book3 connector:

- Ideal Holder:50-2100NC;
- TE Connectivity:2213382-2
- Mounting with machine screws M3x8mm;
- Red indicator marks



for

LED



eLED

eLED-NIC-7080 Nichia Modular Passive Star LED Heat Sink Φ 70mm

Mounting Options and Drawings & Dimensions

Example:eLED-NIC-7080-B-1,2

Example:eLED-NIC-70 **1** - **2** - **3**

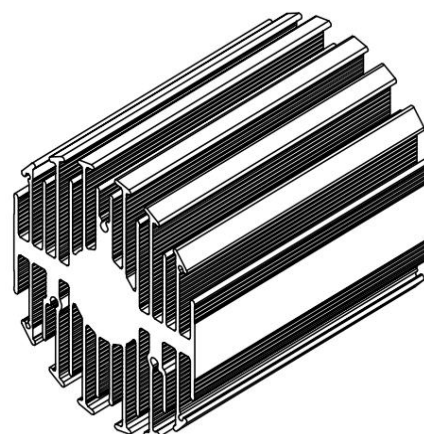
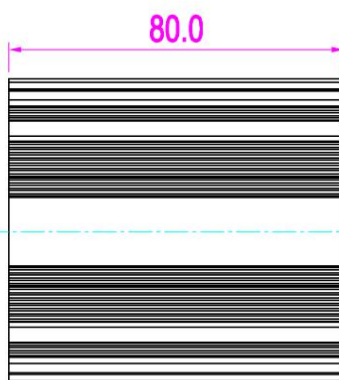
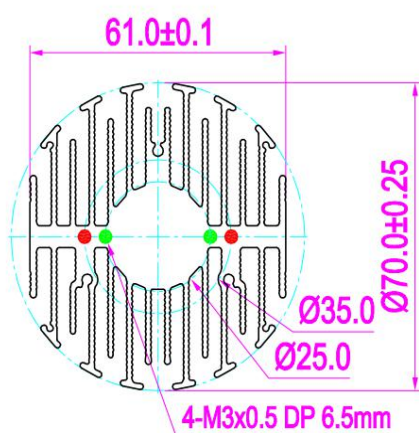
- 1** Height (mm)
- 2** Anodising Color
B-Black
C-Clear
Z-Custom
- 3** Mounting Options - see graphics for details Combinations available
Ex.order code - 12
means option 1 and 2 combined

Notes:

- Mentioned models are an extraction of full product range.
- For specific mechanical adaptations please contact MingfaTech.
- MingfaTech reserves the right to change products or specifications without prior notice.



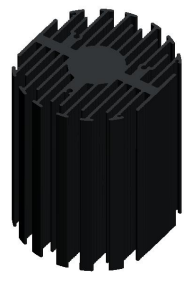
MOUNTING OPTION	Module type	Holder NO.	THREAD	THREAD DEPTH	THREAD HOLE DISTANCE
N	/	None	None	None	None
1	NJCWS024Z; NJCLS024Z;	BJB (47.319.6180.50)	M3	6.5mm	25.0mm/ @180°
		A.A.G Stucchi (8300/G2)			
2	NFCWL036B; NFCLL036B; NFCWL060B; NFCLL060B;	Ideal Holder: (50-2100NC)	M3	6.5mm	35.0mm/ @180°
		TE Connectivity: (2213382-2)			



eLED

eLED-NIC-7080 Nichia Modular Passive Star LED Heat Sink Φ 70mm

The thermal data table

	 <i>eLED-7080</i>
Model No.	eLED-NIC-7080
Size	Φ70xH80mm
Material	AL6063-T5
Finish	Black Anodized
Weight(gr)	329
Thermal Wattage	28.2W
HeatsinkΘs-a²	115563
Heat Sink T Rise Above Ambient	1.77

Dissipated Power Pd(W)	Heat sink to ambient thermal resistance Rhs-amb ($^{\circ}$ C/W)		Heat sink to ambient temperature rise Ths-amb ($^{\circ}$ C)	
	eLED-NIC-7080			
6	2.5		15	
12	2.2		26	
18	1.9		34	
24	1.8		43	
30	1.7		51	

