



for

LED



SimploLED

SimploLED-CRE-13550 for Cree Modular Passive LED Cooler Φ 135mm

Features VS Benefits

- * The SimploLED-CRE13550 Cree Modular Passive LED Coolers are specifically designed for luminaires using the Cree LED engines.
- * Mechanical compatibility with direct mounting of the LED engines to the LED cooler and thermal performance matching the lumen packages.
- * For spotlight and downlight designs from 2100 to 7000 lumen.
- * Thermal resistance range Rth 0.83°C/W.
- * Modular design with mounting holes foreseen for direct mounting of Cree Lxamp CXA1310, CXA1507,1512,1520, CXA1816,1820 ,1830,1850, CXA2520,2530 LED ArrayCOB engines
- * Diameter 135mm - standard height 50mm Other heights on request.
- * Extruded from highly conductive aluminum.



Zhaga LED engine and radiator assembly is a unified future international standardization

- * Below you find an overview of Cree COB's which standard fit on the SimploLED coolers.
- * In this way mechanical after work and related costs can be avoided, and lighting designers can standardize their designs on a limited number of LED coolers.



Zhaga Book3 Spot Light LED engines
LED COB's for which Zhaga book3 LED Modules holders are available
Cree LED Modules and Ideal, BJB holders:

Cree Lxamp CXA1850 LED Modules: (Ideal Holder:50-2101CR),
(BJB Holder:47.319.2131.50)

Maximum drive current optional: 1900mA;

Cree Lxamp CXA2540 LED Modules: (Ideal Holder:50-2102CR),
(BJB Holder:47.319.2141.50)

Maximum drive current optional: 1760mA;

Cree Lxamp CXA3050 LED Modules: (Ideal Holder:50-2234C),
(BJB Holder:47.319.2151.50)

Maximum drive current optional: 1800mA;

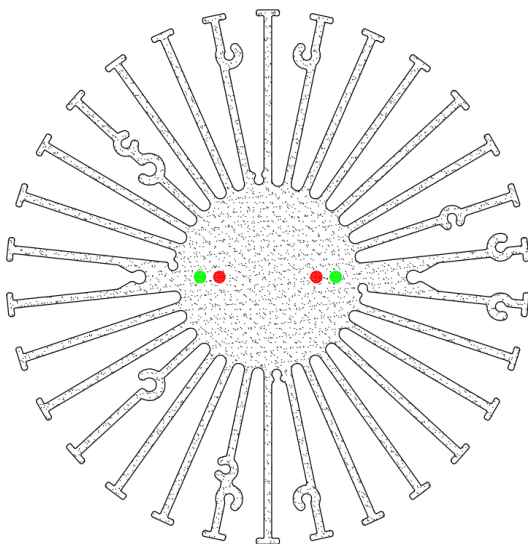
Cree Lxamp CXA3070 LED Modules: (Ideal Holder:50-2234C),
(BJB Holder:47.319.2151.50)

Maximum drive current optional: 1800mA;

Please refer to the data files on www.idealindustries.com, which is the detail of Ideal holders application guide

Zhaga Book3 Green indicator marks:
Direct mounting with machine screws M3x6mm;
Green indicator marks.

Please refer to the www.cree.com data provided on the manual.





SimpoleD

SimpoleD-CRE-13550 for Cree Modular Passive LED Cooler Φ 135mm

Mounting Options and Drawings & Dimensions

Example: SimpoleD-CRE-13550-B-1,2

Example: SimpoleD-CRE-135 **1** - **2** - **3**

1 Height (mm)

2 Anodising Color

B-Black

C-Clear

Z-Custom

3 Mounting Options - see graphics for details Combinations available

Ex.order code - 12

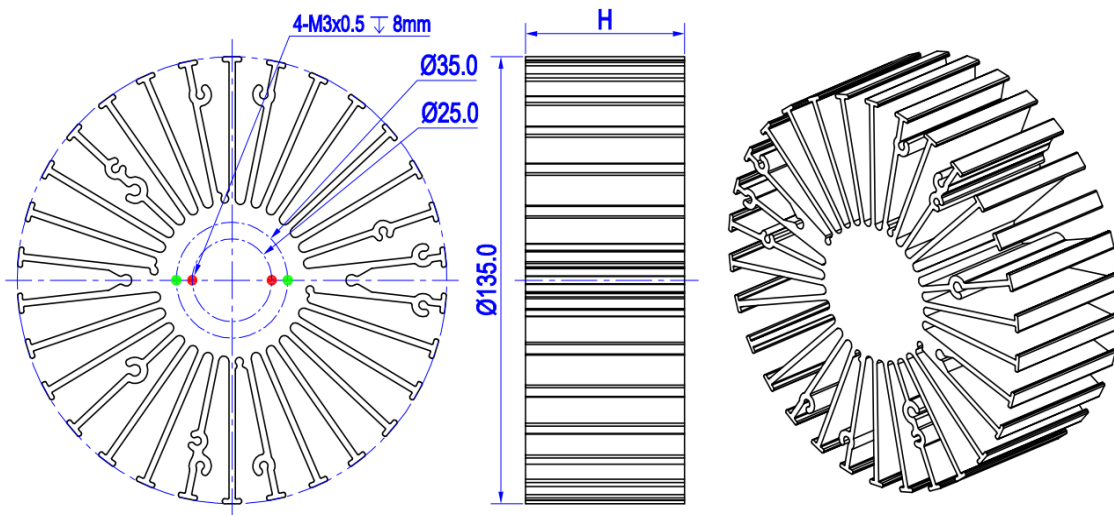
means option 1 and 2 combined

Notes:

- Mentioned models are an extraction of full product range.
- For specific mechanical adaptations please contact MingfaTech.
- MingfaTech reserves the right to change products or specifications without prior notice.



MOUNTING OPTION	Module type	Holder NO.	THREAD	THREAD DEPTH	THREAD HOLE DISTANCE
1	CXA-13xx	BJB: 47.319.6120.50 IDEAL:50-2000CR	M3	6mm	25mm/ 2-@180° Zhaga Book11
2	CXA-15xx ;	BJB: 47.319.6101.50 IDEAL:50-2001CR	M3	6mm	35mm/ 2-@180° Zhaga Book3
	CXA18XX ;	BJB:47.319.2130.50 IDEAL:50-2101CR			
	CXA1830 ;	BJB:50-2001CR			
	CXA25xx ;	BJB:47.319.2140.50 IDEAL:50-2102CR			
	CXA30xx ;	BJB:47.319.2150.50 IDEAL:50-2234C			
	CXA35xx ;	IDEAL:50-2303CR			



Tel: +86-769-39023131
 E-fax: +86-(020)28819702 ext:22122
 Email:sales@mingfatech.com
 Http://www.heatsinkled.com
 Http://www.mingfatech.com





for

LED



SimpoleD

SimpoleD-CRE-13550 for Cree Modular Passive LED Cooler Φ 135mm

The thermal data table

	 <i>SimpoleD-13550</i>
Model No.	SimpoleD-CRE-13550
Size	Φ135xH50mm
Material	AL6063-T5
Finish	Black Anodized
Weight(gr)	638.0
Thermal Wattage	60.3W
HeatsinkOs-a²	155618
Heat Sink T Rise Above Ambient	0.83

Dissipated Power Pd(W)	Pd = Pe x (1-ηL)	Heat sink to ambient thermal resistance Rhs-amb (°C/W)	Heat sink to ambient temperature rise Ths-amb (°C)
		SimpoleD-CRE-13550	SimpoleD-CRE-13550
15		1.00	15.0
30		0.87	26.0
45		0.79	35.7
60		0.74	44.8
75		0.71	53.4
90		0.68	61.6

