

HYBRID STEPPER SERVO MOTOR

H867(86mm) – 0.72°/step, 5 Phase

General Specifications

Step Angel: 0.72°/step
 Ambient Temperature: (0-55)°C
 Leadwire: AWG26 UL1007

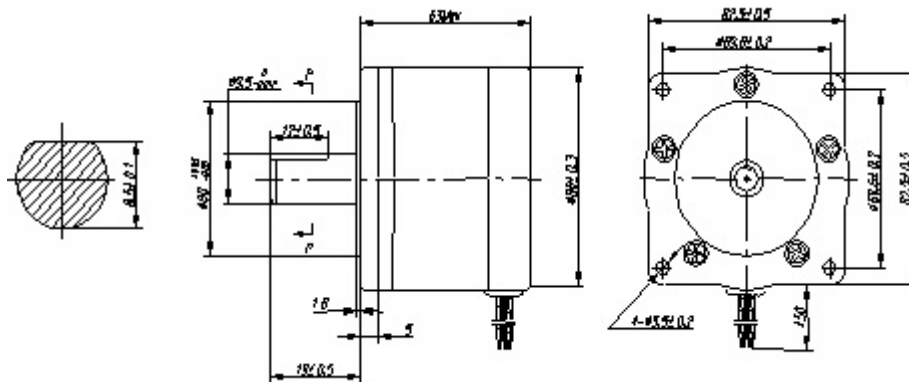
Picture



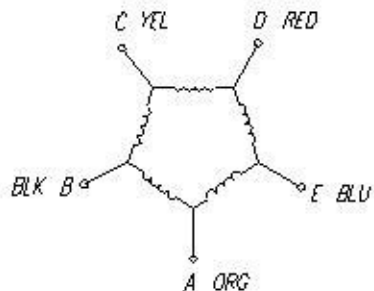
Electrical Specification

Series Model	L (mm)	Phase Current (A)	Phase Resistance (Ω)	Phase Inductance (mH)	Holding Torque (N.cm)	Moment of Inertia (kg.cm ²)	Leadwire (No.)	Motor Weight (g)
H867-00207	63	0.75	5.5	24	1.8	0.64	5	1600
H867-00315	92	1.5	1.9	11	3.2	1.3	5	2600
H867-00415	122	1.5	2.2	12	4.5	1.9	5	3800

Mechanical Dimensions



Standard Leadwire Configuration



Complementary Products:

- Special shaft
- Encoders
- Connector
- Long leadwires