

HYBRID STEPPER MOTOR H866 (86mm) – 1.2° /step, 3 Phase

GERNERAL SPECIFICATIONS

Resistance Accuracy ----- $\pm 10\%$
 Inductance Accuracy ----- $\pm 20\%$
 Temperature Rise ----- 80°C Max.
 Ambient Temperature ----- $-10^{\circ}\text{C} \sim 50^{\circ}\text{C}$
 Insulation Resistance ----- 100Mohm Min, 50VDC
 Dielectric Strength ----- 500VAC for one minute
 Shaft Radial Play ----- 0.06Max. (450 g-load)
 Shaft Axial Play ----- 0.08Max.(450 g-load)

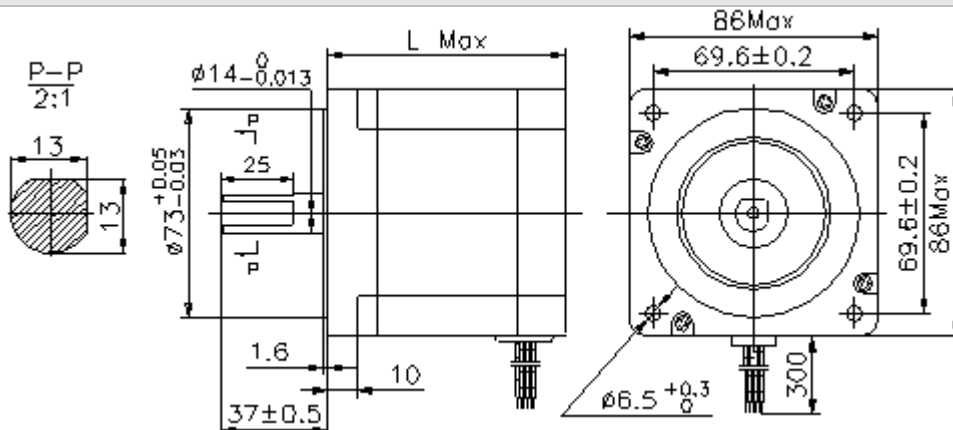
Picture



Electrical Specification

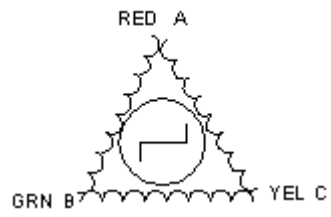
Series Model	Step Angle (°)	L (mm)	Rated Current (A)	Phase Resistance (Ω)	Phase Inductance (mH)	Holding Torque (N.cm)	Detent Torque (N.cm)	Lead Wire (NO.)	Motor Weight (kg)
H866-21035	1.2	66	3.5	1.2	2.5	210	3.5	3	2.0
H866-21045	1.2	66	4.5	0.7	1.5	210	3.5	3	2.0
H866-21068	1.2	66	6.8	0.3	0.65	210	3.5	3	2.0
H866-27035	1.2	78	3.5	1.6	5.0	270	5.8	3	2.5
H866-27045	1.2	78	4.5	1.0	3.0	270	5.8	3	2.5
H866-27068	1.2	78	6.8	0.42	1.3	270	5.8	3	2.5
H866-45035	1.2	98	3.5	2.5	6.5	450	8.5	3	3.0
H866-45045	1.2	98	4.5	1.4	3.9	450	8.5	3	3.0
H866-45068	1.2	98	6.8	0.6	1.7	450	8.5	3	3.0
H866-52035	1.2	114	3.5	3.1	8.2	520	11.0	3	3.5
H866-52045	1.2	114	4.5	1.8	4.8	520	11.0	3	3.5
H866-52068	1.2	114	6.8	0.75	2.1	520	11.0	3	3.5
H866-58035	1.2	126	3.5	3.5	9.8	580	16.5	3	3.8
H866-58045	1.2	126	4.5	2.1	6.2	580	16.5	3	3.8
H866-58068	1.2	126	6.8	0.9	2.6	580	16.5	3	3.8
H866-78035	1.2	150	3.5	4.5	13.2	780	20.5	3	4.2
H866-78045	1.2	150	4.5	2.6	8.2	780	20.5	3	4.2
H866-78068	1.2	150	6.8	1.1	3.5	780	20.5	3	4.2

Mechanical Dimensions



Standard Leadwire Configuration

3 LEADS



Complementary Products:

- Special shaft
- Encoders
- Connector
- Long leadwire