

## xLED

### xLED-OSR-8050 Pin Fin Heat Sink $\Phi$ 80mm for Osram

#### Features VS Benefits

- \* The xLED-OSR-8050 Osram Pin Fin LED Heat Sinks are specifically designed for luminaires using the Osram LED engines.
- \* Mechanical compatibility with direct mounting of the LED engines to the LED cooler and thermal performance matching the lumen packages.
- \* For spotlight and downlight designs from 1,100 to 3,400 lumen.
- \* Thermal resistance range  $R_{th}$  2.38°C/W.
- \* Modular design with mounting holes foreseen for direct mounting of Osram LED engines.
- \* Diameter 80.0mm - standard height 50.0mm, Other heights on request.
- \* Forged from highly conductive aluminum.



#### Zhaga LED engine and radiator assembly is a unified future international standardization

- \* Below you find an overview of Osram COB's and LED modules which standard fit on the Pin Fin LED Heat Sinks.
- \* In this way mechanical after work and related costs can be avoided, and lighting designers can standardize their designs on a limited number of LED Pin Fin LED Heat Sink.

## OSRAM

Opto Semiconductors



#### Osram LED Modules directly Mounting Options

Osram SOLERIQ® S 13 COB LED modules name:

GW KAGGxx.xx; GW KAGLxx.xx;  
GW KAGHxx.xx; GW KAGMxx.xx;  
GW KAGJxx.xx;

With the Zhaga Book 3 Holders:

BJB holder:47.319.2021.50;  
TE LED Holder:2213254-1;

Direct mounting with machine screws M3x6.5mm, green indicator marks.

Osram SOLERIQ® S 9 COB LED modules name:

GW KAFGxx.xx;  
GW KAFHxx.xx;  
GW KAFJxx.xx;

With the Zhaga Book 11 Holders:

BJB holder:47.319.6060.50;  
TE LED Holder:2213678-5;

Direct mounting with machine screws M3x6.5mm, Red indicator marks.

With the LEDiL products:

Lenins series: CN14xxx; CN13xxx; CN12xxx;  
Ronda series: FN15xxx-xx;

#### Osram PrevaLED Core Z5, Z6, Z7 L15 H1 and AC PRO LED modules name:

PL-CORE-Z5 -2000-xxx; PL-CORE-G7 2000-xxx L15 H1;  
PL-CORE-Z5 -3000-xxx; PL-CORE-G7 3000-xxx L15 H1;  
PL-CORE-Z6 -2000-xxx; PL-CORE AC PRO -2000-xxx;  
PL-CORE-Z6 -3000-xxx; PL-CORE AC PRO -3000-xxx;

With the Zhaga Book 3 standard:

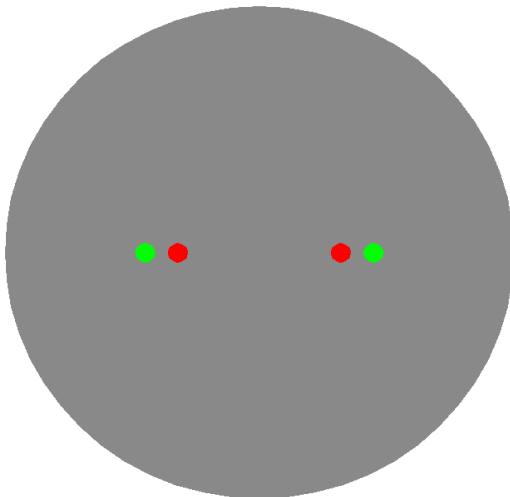
Direct mounting with machine screws M3x6.5mm, green indicator marks.

#### Osram PrevaLED Core Z6 Mini LED modules name:

PL-CORE-Z6-MINI -2000-xxx;  
PL-CORE-Z6-MINI -3000-xxx;

With the Zhaga Book 11 standard:

Direct mounting with machine screws M3x6.5mm, Red indicator marks.



xLED

xLED-OSR-8050 Pin Fin Heat Sink  $\Phi$ 80mm for Osram

Mounting Options and Drawings & Dimensions

Example:xLED-OSR-8050-B-1,2

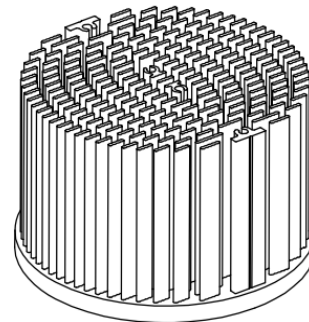
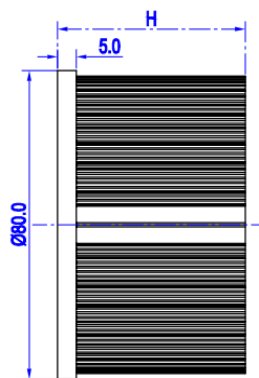
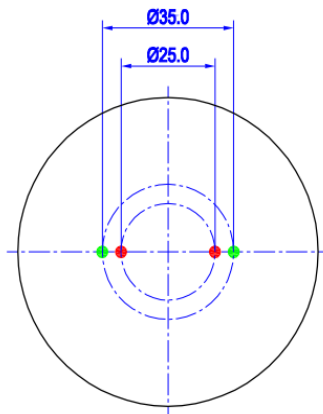
Example:xLED-OSR-80 **1** - **2** - **3**

- 1** Height (mm)
- 2** Anodising Color  
B-Black  
C-Clear  
Z-Custom
- 3** Mounting Options - see graphics for details Combinations available  
Ex.order code - 12  
means option 1 and 2 combined

Notes:

- Mentioned models are an extraction of full product range.
- For specific mechanical adaptations please contact MingfaTech.
- MingfaTech reserves the right to change products or specifications without prior notice.

MOUNTING OPTION	Module type	Holder NO.	LEDiL products		THREAD	THREAD DEPTH	THREAD HOLE DISTANCE
			Lenina series	Ronda series			
N	/	None	None	None	None	None	None
1	SOLERIQ® S 9	BJB Holder 47.319.6060.50 TE Holder 2213678-5	CN14xxx; CN13xxx; CN12xxx;	FN15xxx-xx	M3	6.5mm	25.0mm/ 2-@180° (Zhaga book 11)
	Z6 Mini	/	/	/			
2	Z5; Z6; Z7 L15 H1; AC PRO;	/	/	/	M3	6.5mm	35.0mm/ 2-@180° (Zhaga book 3)
	SOLERIQ® S 13	BJB Holder 47.319.2021.50 TE Holder 2213254-1	CN14xxx; CN13xxx; CN12xxx;	FN15xxx-xx			



## xLED

### xLED-OSR-8050 Pin Fin Heat Sink $\Phi 80\text{mm}$ for Osram

#### The product data table

	Model No.	xLED-OSR-8050
	Heatsink Size	$\Phi 80 \times H 50\text{mm}$
	Heatsink Material	AL1070
	Finish	Black Anodized
	Weight (g)	197.0
	Dissipated power (T <sub>hs-amb</sub> , 50°C)	21.0 (W)
	Cooling surface area (mm <sup>2</sup> )	120774
	Thermal Resistance (R <sub>hs-amb</sub> )	2.38 (°C/W)

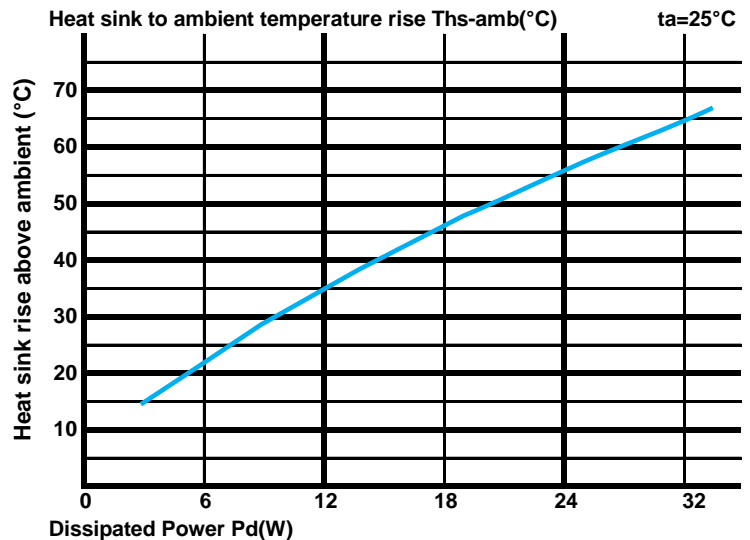
#### The thermal data table

\* Please be aware the dissipated power Pd is not the same as the electrical power Pe of a LED module.

\* To calculate the dissipated power please use the following formula:  $P_d = P_e \times (1 - \eta_L)$ .

Pd - Dissipated power ; Pe - Electrical power ;  $\eta_L$  = Light efficiency of the LED module;

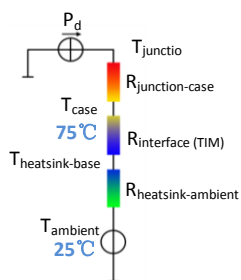
Dissipated Power Pd(W)	Pd = Pe x (1- $\eta_L$ )	Heat sink to ambient thermal resistance R <sub>hs-amb</sub> (°C/W)	Heat sink to ambient temperature rise T <sub>hs-amb</sub> (°C)
		xLED-OSR-8050	
6.0		3.50	21.0
12.0		2.92	35.0
18.0		2.56	46.0
24.0		2.29	55.0
32.0		2.00	64.0



\*The aluminum substrate side of the package outer shell is thermally connected to the heat sink via TIM (Thermal interface material).

MingFa recommends the use of a high thermal conductive interface between the LED module and the LED cooler.

Either thermal grease, A thermal pad or a phase change thermal pad thickness 0.1-0.15mm is recommended.



\*Thermal resistance is a heat property and a measurement of a temperature difference by which an object or material resists a heat flow.

Geometric shapes are different, the thermal resistance is different. Formula:  $\theta = (T_{hs} - T_a) / P_d$

$\theta$  - Thermal Resistance [°C/W] ; T<sub>hs</sub> - Heatsink temperature ; T<sub>a</sub> - Ambient temperature ;

\*The thermal resistance between the junction section of the light-emitting diode and the aluminum substrate side of the package outer shell is R<sub>junction-case</sub>, the thermal resistance of the TIM outside the package is R<sub>interface (TIM)</sub> [°C/W], the thermal resistance with the heat sink is R<sub>heatsink-ambient</sub> [°C/W], and the ambient temperature is T<sub>ambient</sub> [°C].

\*Thermal resistances outside the package R<sub>interface (TIM)</sub> and R<sub>heatsink-ambient</sub> can be integrated into the thermal resistance R<sub>case-ambient</sub> at this point. Thus, the following formula is also used:

$$T_{\text{junction}} = (R_{\text{junction-case}} + R_{\text{case-ambient}}) \cdot P_d + T_{\text{ambient}}$$