

SimpoleD

SimpoleD-LUN-11780 for Luminus Modular Passive LED Cooler ϕ 117mm

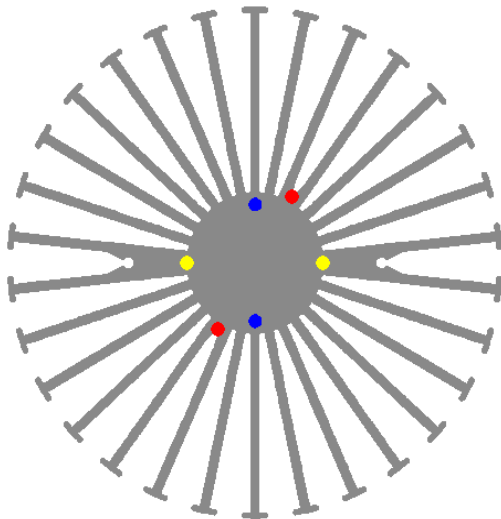
Features VS Benefits

- * The SimpoleD-LUN-11780 Luminus Modular Passive LED Coolers are specifically designed for luminaires using the Luminus LED engines.
- * Mechanical compatibility with direct mounting of the LED engines to the LED cooler and thermal performance matching the lumen packages.
- * For spotlight and downlight designs from 1700 to 7000 lumen.
- * Thermal resistance range Rth 0.8°C/W.
- * Modular design with mounting holes foreseen for direct mounting of Luminus COB LED engines.
- * Diameter 117mm - standard height 80mm Other heights on request.
- * Extruded from highly conductive aluminum.



Luminus LED engine and radiator assembly directly Mounting Options

- * Below you find an overview of Luminus COB's and LED modules which standard fit on the SimpoleD coolers.
- * In this way mechanical after work and related costs can be avoided, and lighting designers can standardize their designs on a limited number of LED coolers.



Luminus LED engines Mounting Options

CXM-14 COB Arrays LED Modules names:

CXM-14-27-XX-36-AC00-XX-X;
 CXM-14-30-XX-36-AC00-XX-X;
 CXM-14-35-XX-36-AC00-XX-X;
 CXM-14-40-XX-36-AC00-XX-X;
 CXM-14-50-XX-36-AC00-XX-X;
 CXM-14-65-XX-36-AC00-XX-X;

CHM-14 COB Arrays LED Modules names:

CHM-14-27-XX-36-AC00-XX-X;
 CHM-14-30-XX-36-AC00-XX-X;
 CHM-14-35-XX-36-AC00-XX-X;
 CHM-14-40-XX-36-AC00-XX-X;
 CHM-14-50-XX-36-AC00-XX-X;
 CHM-14-65-XX-36-AC00-XX-X;

With Zhaga Book 3 for red indicator marks:

BJB Holder:47.319.2021.50;
 AAG.STUCCHI holder:8101-G2;
 Mounting with machine screws M3x6mm;
 Without LED holders for blue indicator marks.
 Direct mounting with machine screws M3x6mm;

CXM-22 COB Arrays LED Modules names:

CXM-22-27-XX-36-AC00-XX-X;
 CXM-22-30-XX-36-AC00-XX-X;
 CXM-22-35-XX-36-AC00-XX-X;
 CXM-22-40-XX-36-AC00-XX-X;
 CXM-22-50-XX-36-AC00-XX-X;
 CXM-22-65-XX-36-AC00-XX-X;

With Zhaga Book 3 for red indicator marks:

BJB Holder:47.319.2030.50;
 AAG.STUCCHI holder:8102-G2;
 Direct mounting with machine screws M3x6mm;
 Without LED holders for yellow indicator marks.
 Direct mounting with machine screws M3x6mm;

SimpoleD

SimpoleD-LUN-11780 for Luminus Modular Passive LED Cooler Φ 117mm

Mounting Options and Drawings & Dimensions

Example: SimpoleD-LUN-11780-B-3

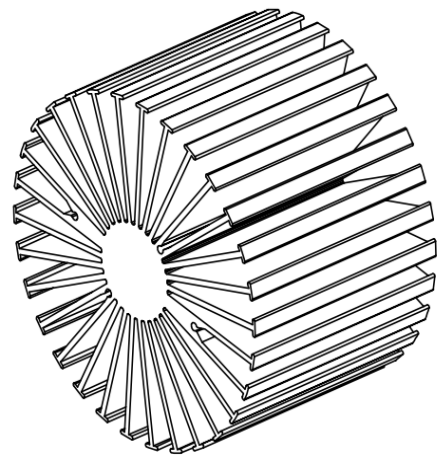
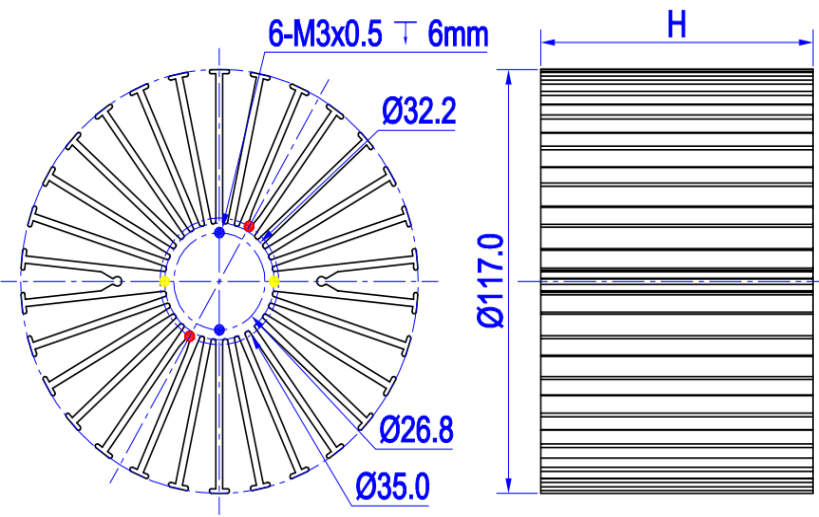
Example: SimpoleD-LUN-117 **1** - **2** - **3**

- 1** Height (mm)
- 2** Anodising Color
B-Black
C-Clear
Z-Custom
- 3** Mounting Options - see graphics for details Combinations available
Ex.order code - 12
means option 1 and 2 combined

Notes:
 - Mentioned models are an extraction of full product range.
 - For specific mechanical adaptations please contact MingfaTech.
 - MingfaTech reserves the right to change products or specifications without prior notice.



| MOUNTING OPTION | Module type | Holder NO. | THREAD | THREAD DEPTH | THREAD HOLE DISTANCE |
|-----------------|------------------|------------------------|--------|--------------|----------------------|
| 1 | CXM-14 CHM-14 | / | M3 | 6mm | 26.8mm/ 2-@180° |
| 2 | CXM-22 | / | M3 | 6mm | 32.2mm/ 2-@180° |
| 3 | CXM-14 CHM-14 | AAG.STUCCHI 8101-G2 | M3 | 6mm | 35.0mm/ 2-@180° |
| | | BJB 47.313.2021.50 | | | |
| | CXM-22 | AAG.STUCCHI 8102-G2 | | | |
| | | BJB 47.313.2030.50 | | | |



SimpoleD

SimpoleD-LUN-11780 for Luminus Modular Passive LED Cooler $\Phi 117\text{mm}$

The thermal data table

| | |
|---|---|
| |  <i>SimpoleD-11780</i> |
| Model No. | SimpoleD-LUN-11780 |
| Size | $\Phi 117 \times H 80\text{mm}$ |
| Material | AL6063-T5 |
| Finish | Black Anodized |
| Weight(gr) | 774.0 |
| Thermal Wattage | 60.7W |
| Heatsink Θ_{s-a}^2 | 231490 |
| Heat Sink T Rise Above Ambient | 0.8 |

| Dissipated Power Pd(W) | Pd = Pe x (1- η L) | |
|------------------------|---|--|
| | Heat sink to ambient thermal resistance Rhs-amb ($^{\circ}\text{C}/\text{W}$) | Heat sink to ambient temperature rise Ths-amb ($^{\circ}\text{C}$) |
| | SimpoleD-LUN-11780 | SimpoleD-LUN-11780 |
| 15.0 | 1.01 | 15.2 |
| 30.0 | 0.88 | 26.4 |
| 45.0 | 0.85 | 38.3 |
| 60.0 | 0.82 | 49.2 |
| 75.0 | 0.75 | 56.3 |
| 90.0 | 0.68 | 61.2 |

