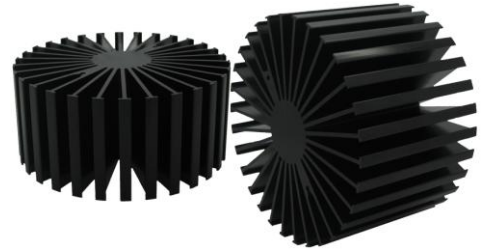


*SimpoleD*

**SimpoleD-PHI-11750 for Philips Modular Passive LED Cooler  $\Phi$ 117mm**

**Features VS Benefits**

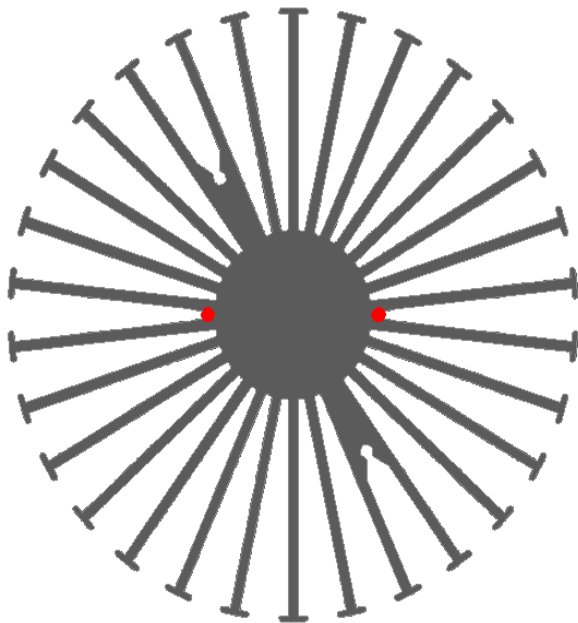
- \* The SimpoleD-PHI-11750 Philips Modular Passive LED Coolers are specifically designed for luminaires using the Philips LED engines.
- \* Mechanical compatibility with direct mounting of the LED engines to the LED cooler and thermal performance matching the lumen packages.
- \* For spotlight and downlight designs from 1700 to 5700 lumen.
- \* Thermal resistance range  $R_{th}$  0.9°C/W.
- \* Modular design with mounting holes foreseen for direct mounting of Philips SLM engines.
- \* Diameter 117mm - standard height 50mm Other heights on request.
- \* Extruded from highly conductive aluminum.



**Zhaga LED engine and radiator assembly is a unified future international standardization**

- \* Below you find an overview of Philips engines COB's and LED modules which standard fit on the SimpoleD coolers.
- \* In this way mechanical after work and related costs can be avoided, and lighting designers can standardize their designs on a limited number of LED coolers.

**PHILIPS**



Philips Spot Light LED engines for which Zhaga book3 LED Modules holders are available.

**Philips Fortimo SLM LED modular Gen4:**

- Fortimo LED SLM 4500LM 830 L19 G4;
- Fortimo LED SLM 4500LM 840 L19 G4;
- Fortimo LED SLM 4500LM 927 L19 G4;
- Fortimo LED SLM 4500LM 930 L19 G4;

**Philips Fortimo SLM LED modular Gen3:**

- Fortimo LED SLM 3000LM 930 L19 G3;
- Fortimo LED SLM 4500LM 840 L22 G3;
- Fortimo LED SLM 4500LM 930 L22 G3;

**Philips Fortimo SLM LED modular Gen2:**

- Fortimo LED SLM 3000LM 827 L13 G2;
- Fortimo LED SLM 3000LM 835 L13 G2;

Red indicator marks:

Direct mounting with machine screws M3x8mm;



*SimpLED*

SimpLED-PHI-11750 for Philips Modular Passive LED Cooler  $\Phi$ 117mm

**Mounting Options and Drawings & Dimensions**

Example: SimpLED-PHI-11750-B-3

Example: SimpLED-PHI-117 **1** - **2** - **3**

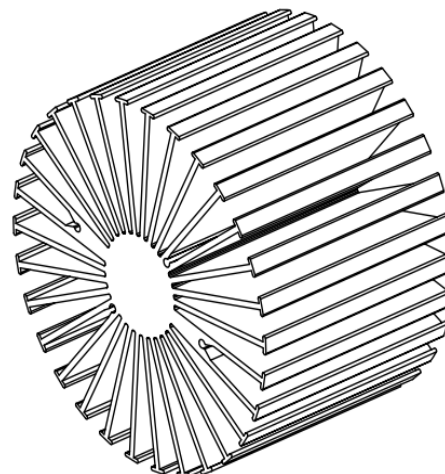
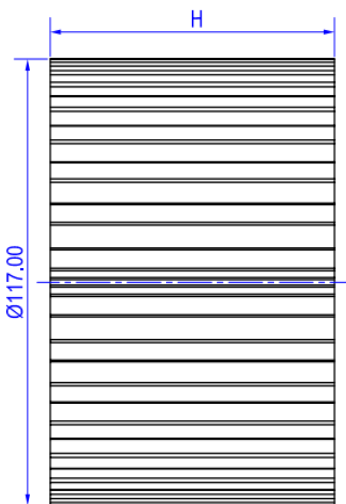
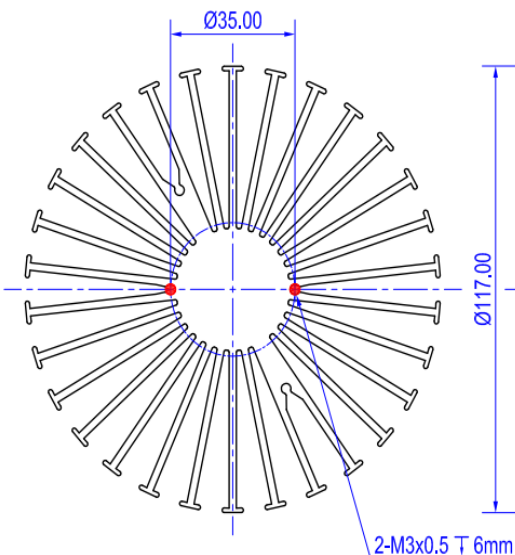
- 1** Height (mm)
- 2** Anodising Color  
B-Black  
C-Clear  
Z-Custom
- 3** Mounting Options - see graphics for details Combinations available  
Ex.order code - 12  
means option 1 and 2 combined

**Notes:**

- Mentioned models are an extraction of full product range.
- For specific mechanical adaptations please contact MingfaTech.
- MingfaTech reserves the right to change products or specifications without prior notice.



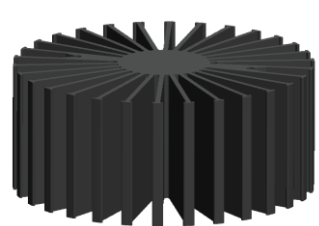
MOUNTING OPTION	Module type	Holder NO.	THREAD	THREAD DEPTH	THREAD HOLE DISTANCE
1	Fortimo SLM	/	M3	8mm	35.0mm/ 2-@180°



*SimpLED*

SimpLED-PHI-11750 for Philips Modular Passive LED Cooler  $\Phi 117\text{mm}$

The thermal data table

	 <i>SimpLED-11750</i>
<b>Model No.</b>	<b>SimpLED-PHI-11750</b>
<b>Size</b>	<b><math>\Phi 117 \times H50\text{mm}</math></b>
<b>Material</b>	<b>6063-T5</b>
<b>Finish</b>	<b>Black Anodized</b>
<b>Weight(gr)</b>	<b>484</b>
<b>Thermal Wattage</b>	<b>49.2W</b>
<b>Heatsink <math>\Theta_{s-a^2}</math></b>	<b>147370</b>
<b>Heat Sink <math>T_{\text{Rise Above Ambient}}</math></b>	<b>0.9</b>

Dissipated Power Pd(W)	Pd = Pe x (1- $\eta$ L)	Heat sink to ambient thermal resistance Rhs-amb ( $^{\circ}\text{C}/\text{W}$ )	Heat sink to ambient temperature rise Ths-amb ( $^{\circ}\text{C}$ )
		SimpLED-PHI-11750	SimpLED-PHI-11750
8.0		1.35	10.8
16.0		1.16	18.5
24.0		1.05	25.3
32.0		0.98	31.5
40.0		0.94	37.5
48.0		0.90	43.0
56.0		0.88	49.0

