

SimpoleD

SimpoleD-SAM-13580 for Samsung Modular Passive LED Cooler Φ 135mm

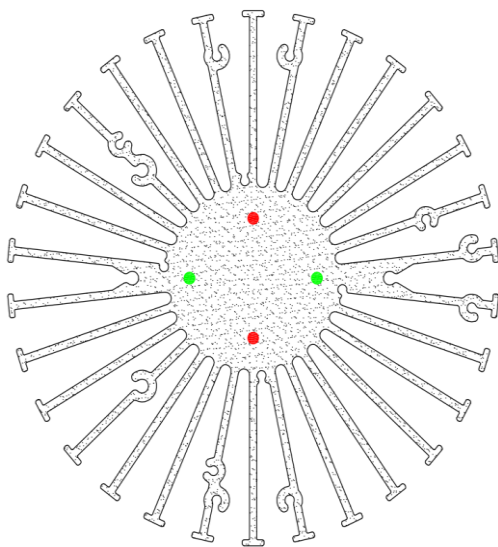
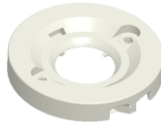
Features VS Benefits

- * The SimpoleD-SAM-13580 Samsung Modular Passive LED Coolers are specifically designed for luminaires using the Samsung LED engines.
- * Mechanical compatibility with direct mounting of the LED engines to the LED cooler and thermal performance matching the lumen packages.
- * For spotlight and downlight designs from 2,100 to 8,000 lumen.
- * Thermal resistance range R_{th} 0.71°C/W.
- * Modular design with mounting holes foreseen for direct mounting of Samsung COB LED engines.
- * Diameter 135mm - standard height 80mm. Other heights on request.
- * Extruded from highly conductive aluminum.



***Samsung LED engine and radiator assembly directly Mounting Options**

- * Below you find an overview of Samsung COB's and LED modules which standard fit on the SimpoleD coolers.
- * In this way mechanical after work and related costs can be avoided, and lighting designers can standardize their designs on a limited number of LED coolers.



Samsung LED Modules Mounting indicator marks overview

For the LC033 B LED engines.

- SPHWW1HDND25YHW33P;
- SPHWW1HDND25YHV33P;
- SPHWW1HDND25YHU33P;
- SPHWW1HDND25YHT33P;
- SPHCW1HDND25YHRT3P;

For the LC040 B LED engines.

- SPHWW1HDNE25YHW34J;
- SPHWW1HDNE25YHV34J;
- SPHWW1HDNE25YHU34J;
- SPHWW1HDNE25YHT34J;
- SPHCW1HDNE25YHRT4J;

NO`1:With Zhaga Book3 Holders:

TE Connectivity:Z50 2213258-2;

Green indicator marks

Mounting with machine screws M3x6mm;

NO`2:Without holder:

Direct mounting with machine screws M3x6mm;

Red indicator marks.

SimpoLED

SimpoLED-SAM-13580 for Samsung Modular Passive LED Cooler Φ 135mm

Mounting Options and Drawings & Dimensions

Example: SimpoLED-SAM-13580-B-3

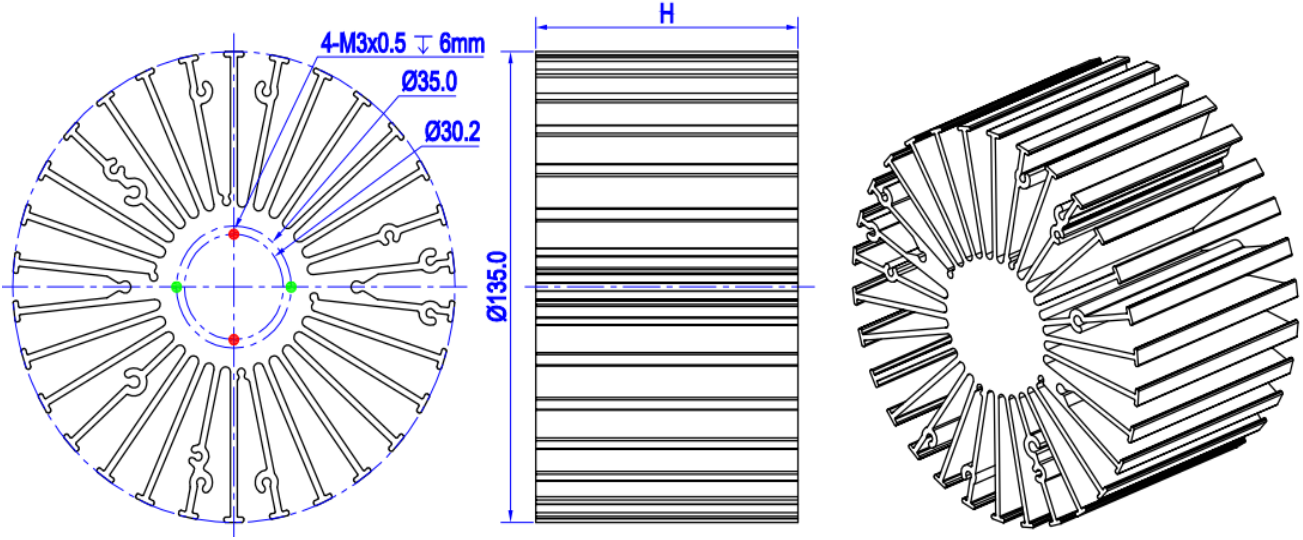
Example: SimpoLED-SAM-135 **1** - **2** - **3**

- 1** Height (mm)
- 2** Anodising Color
B-Black
C-Clear
Z-Custom
- 3** Mounting Options - see graphics for details Combinations available
Ex.order code - 12
means option 1 and 2 combined



Notes:
 - Mentioned models are an extraction of full product range.
 - For specific mechanical adaptations please contact MingfaTech.
 - MingfaTech reserves the right to change products or specifications without prior notice.

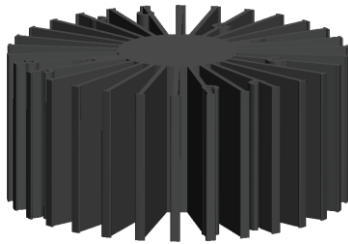
MOUNTING OPTION	Module type	Holder NO.	THREAD	THREAD DEPTH	THREAD HOLE DISTANCE
1	LC033B	/	M3	6mm	30.2mm/ @2-180°
2	LC040B	Type 2-2154857-3	M3	6mm	35.0mm/ @2-180°



SimpoLED

SimpoLED-SAM-13580 for Samsung Modular Passive LED Cooler Φ 135mm

The thermal data table

	 <p><i>SimpoLED-13580</i></p>
Model No.	SimpoLED-SAM-13580
Size	Φ135xH80mm
Material	AL6063-T5
Finish	Black Anodized
Weight(gr)	1020.0
Thermal Wattage	69.8W
HeatsinkOs-a²	243322
Heat Sink T Rise Above Ambient	0.71

Dissipated Power Pd(W)	Pd = Pe x (1- η L)	
	Heat sink to ambient thermal resistance Rhs-amb (°C/W)	Heat sink to ambient temperature rise Ths-amb (°C)
	SimpoLED-SAM-13580	SimpoLED-SAM-13580
15.0	0.92	13.8
30.0	0.88	26.4
45.0	0.80	36.0
60.0	0.75	45.0
75.0	0.69	51.8
90.0	0.59	53.1

