

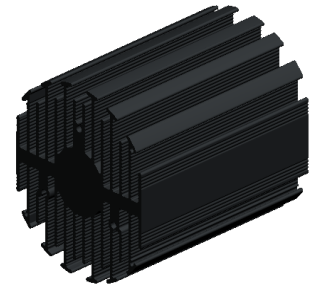


eLED

eLED-OSR-7080 Osram Modular Passive Star LED Heat Sink Φ 70mm

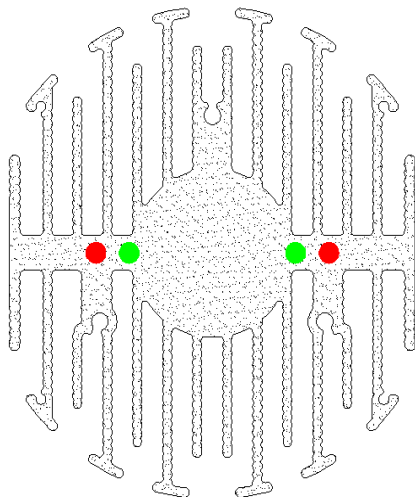
Features VS Benefits

- * The eLED-OSR-7080 OSRAM Modular Passive LED Coolers are specifically designed for luminaires using the OSRAM LED engines.
- * Mechanical compatibility with direct mounting of the LED engines to the LED cooler and thermal performance matching the lumen packages.
- * For spotlight and downlight designs from 1300 to 3000 lumen.
- * Thermal resistance range Rth 1.77°C/W.
- * Modular design with mounting holes foreseen for direct mounting of OSRAM PrevaLED Core , SOLERIQ P and SOLERIQ S LED engines.
- * Diameter 70mm - standard height 80mm Other heights on request.
- * Extruded from highly conductive aluminum.



Zhaga LED engine and radiator assembly is a unified future international standardization

- * Below you find an overview of OSRAM engines COB's and LED modules which standard fit on the eLED coolers.
- * In this way mechanical after work and related costs can be avoided, and lighting designers can standardize their designs on a limited number of LED coolers.



OSRAM LED engines Mounting Options

Osram PrevaLED Core AC LED modules.

- | | |
|-----------------------|---------------------|
| PL-CORE AC -2000-827; | LEP -2000-827-C-AC; |
| PL-CORE AC -2000-830; | LEP -2000-830-C-AC; |
| PL-CORE AC -2000-840; | LEP -2000-840-C-AC; |

Osram PrevaLED Core Z3 LED modules.

- | | |
|-----------------------|-----------------------|
| PL-CORE -2000-830-Z3; | PL-CORE -3000-830-Z3; |
| PL-CORE -2000-840-Z3; | PL-CORE -3000-840-Z3; |
| PL-CORE -2000-930-Z3; | |

Osram PrevaLED Core Z4 LED modules.

- | | |
|-----------------------|-----------------------|
| PL-CORE-Z4 -2000-827; | PL-CORE-Z4 -3000-827; |
| PL-CORE-Z4 -2000-830; | PL-CORE-Z4 -3000-830; |
| PL-CORE-Z4 -2000-835; | PL-CORE-Z4 -3000-835; |
| PL-CORE-Z4 -2000-840; | PL-CORE-Z4 -3000-840; |
| PL-CORE-Z4 -2000-930; | |

Osram SOLERIQ S19 LED modules.

- | | |
|-------------------------|-------------------------|
| GW KAHJB1.EM-SSSU-27S3; | GW KAHJB1.EM-SQSS-27S3; |
| GW KAHJB1.EM-SSSU-30S3; | GW KAHJB1.EM-SQSS-30S3; |
| GW KAHJB1.EM-STTP-35S3; | GW KAHJB1.EM-SRST-35S3; |
| GW KAHJB1.EM-STTP-40S3; | GW KAHJB1.EM-SRST-40S3; |

Zhaga Book3 Green indicator marks:

- BJB holder:47.319.2170.50 ;
 AAG.STUCCHI holder:8503-G2
 Direct mounting with machine screws M3x6mm;

Osram SOLERIQ P9 modules.

- | | |
|-------------------------|-------------------------|
| GW MAFJB1.EM-RTSQ-27S3; | GW MAFJB1.CM-RSSP-27S3; |
| GW MAFJB1.EM-RUSR-30S3; | GW MAFJB1.CM-RTSQ-30S3; |
| GW MAFJB1.EM-RUSS-35S3; | GW MAFJB1.CM-RTSR-35S3; |
| GW MAFJB1.EM-SPST-40S3; | GW MAFJB1.CM-RUSS-40S3; |
| GW MAFJB1.EM-SPST-50S3; | |

Zhaga Book11 Red indicator marks:

- BJB holder:47.319.6200.50
 AAG.STUCCHI holder:8501-G2
 Direct mounting with machine screws M3x6mm;



for

LED



eLED

eLED-OSR-7080 Osram Modular Passive Star LED Heat Sink Φ 70mm

Mounting Options and Drawings & Dimensions

Example:eLED-OSR-7080-B-1

Example:eLED-OSR-70 **1** - **2** - **3**

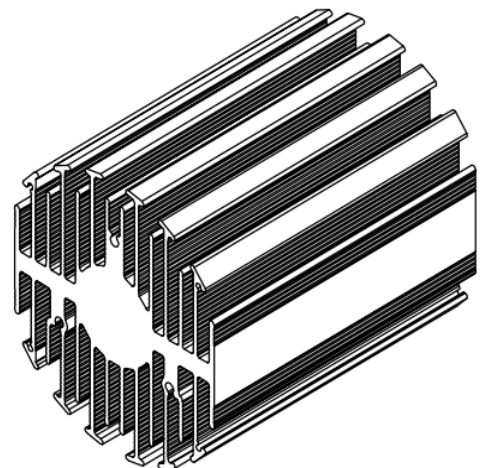
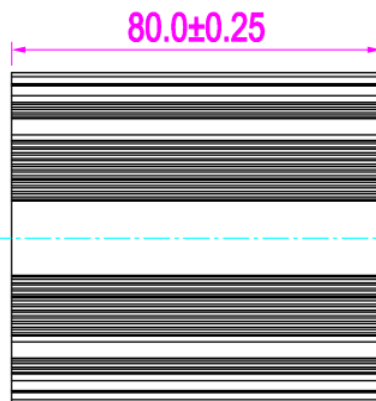
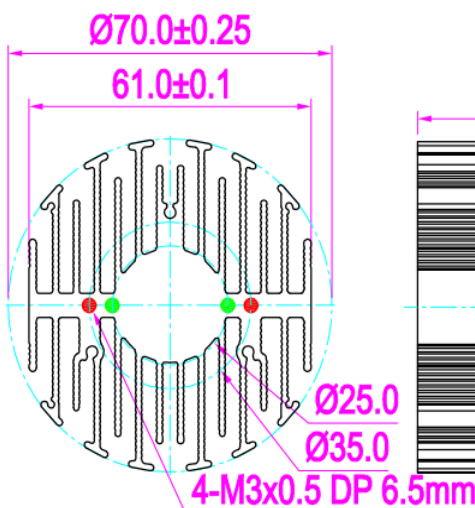
- 1** Height (mm)
- 2** Anodising Color
B-Black
C-Clear
Z-Custom
- 3** Mounting Options - see graphics for details Combinations available
Ex.order code - 12
means option 1 and 2 combined



Notes:

- Mentioned models are an extraction of full product range.
- For specific mechanical adaptations please contact MingfaTech.
- MingfaTech reserves the right to change products or specifications without prior notice.

MOUNTING OPTION	Module type	Holder NO.	THREAD	THREAD DEPTH	THREAD HOLE DISTANCE
1	SOLERIQ P9	AAG.STUCCHI:8501-G2	M3	6.5mm	25.0mm/ 2-@180°
		BJB:47.319.6200.50			
2	PrevaLED Core AC	/	M3	6.5mm	35.0mm/ 2-@180°
	PrevaLED Core Z3				
	PrevaLED Core Z4				
	SOLERIQ S19				
		AAG.STUCCHI:8503-G2			
		BJB: 47.319.2170.50			



eLED

eLED-OSR-7080 Osram Modular Passive Star LED Heat Sink Φ 70mm

The thermal data table

	 <i>eLED-7080</i>
Model No.	eLED-OSR-7080
Size	Φ70xH80mm
Material	AL6063-T5
Finish	Black Anodized
Weight(gr)	329
Thermal Wattage	28.2W
HeatsinkΘs-a²	115563
Heat Sink T Rise Above Ambient	1.77

Dissipated Power Pd(W)	Pd = Pe x (1-ηL)	Heat sink to ambient thermal resistance Rhs-amb (°C/W)	Heat sink to ambient temperature rise Ths-amb (°C)
		eLED-OSR-7080	
6		2.5	15
12		2.2	26
18		1.9	34
24		1.8	43
30		1.7	51

