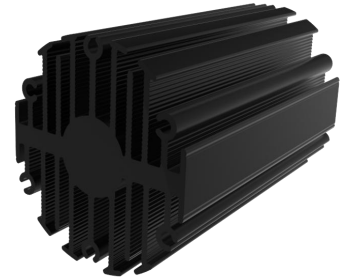


eLED

eLED-LG-4680 LG Innotek Modular Passive Star LED Heat Sink Φ 46mm

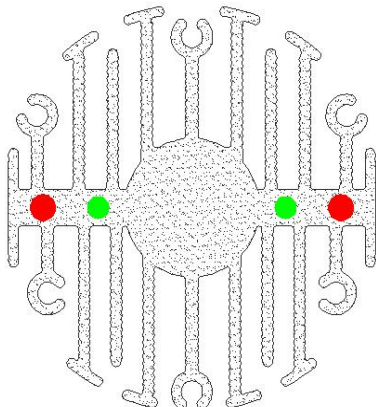
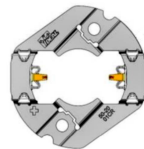
Features VS Benefits

- * The eLED-LG-4680 LG Innotek Modular Passive Star LED Heat Sinks are specifically designed for luminaires using the LG Innotek LED engines.
- * Mechanical compatibility with direct mounting of the LED engines to the LED cooler and thermal performance matching the lumen packages.
- * For spotlight and downlight designs from 600 to 1600 lumen.
- * Thermal resistance range R_{th} 3.8°C/W.
- * Modular design with mounting holes foreseen for direct mounting of LG Innotek COB 10W/13W LED engines.
- * Diameter 46.5mm - standard height 80mm Other heights on request.
- * Extruded from highly conductive aluminum.



Zhaga LED engine and radiator assembly is a unified future international standardization

- * Below you find an overview of LG Innotek engines COB's and LED modules which standard fit on the eLED Star LED Heat Sinks.
- * In this way mechanical after work and related costs can be avoided, and lighting designers can standardize their designs on a limited number of Star LED Heat Sinks.



LG Innotek LED engines Mounting Options

10W COB:

- LEMWM18580GGxxxx;
- LEMWM18580HGxxxx;
- LEMWM18580JGxxxx;
- LEMWM18580LGxxxx;
- LEMWM18580MGxxxx;

Zhaga Book3

AAG STUCCHI holder:8600;

BJB holder:47.319.2080.50;

IDEAL holder:50-2100LG;

Red indicator marks:

Direct mounting with machine screws M3x8mm;

Green indicator marks.

Direct mounting with machine screws M2.5x6mm;

13W COB:

- LEMWM18680HGxxxx;
- LEMWM18680JGxxxx;
- LEMWM18680LGxxxx;
- LEMWM18680MGxxxx;

Zhaga Book3

AAG STUCCHI holder:8600;

BJB holder:47.319.2080.50;

IDEAL holder:50-2100LG;

Red indicator marks:

Direct mounting with machine screws M3x8mm;

Green indicator marks.

Direct mounting with machine screws M2.5x6mm;

eLED

eLED-LG-4680 LG Innotek Modular Passive Star LED Heat Sink Φ 46mm

Mounting Options and Drawings & Dimensions

Example:eLED-LG-4680-B-1

Example:eLED-LG-4680-1-2-3

- 1** Height (mm)
- 2** Anodising Color
B-Black
C-Clear
Z-Custom
- 3** Mounting Options - see graphics for details Combinations available
Ex.order code - 12
means option 1 and 2 combined

Notes:

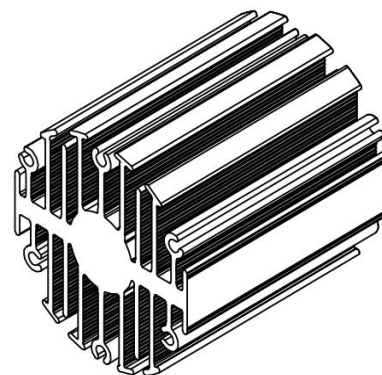
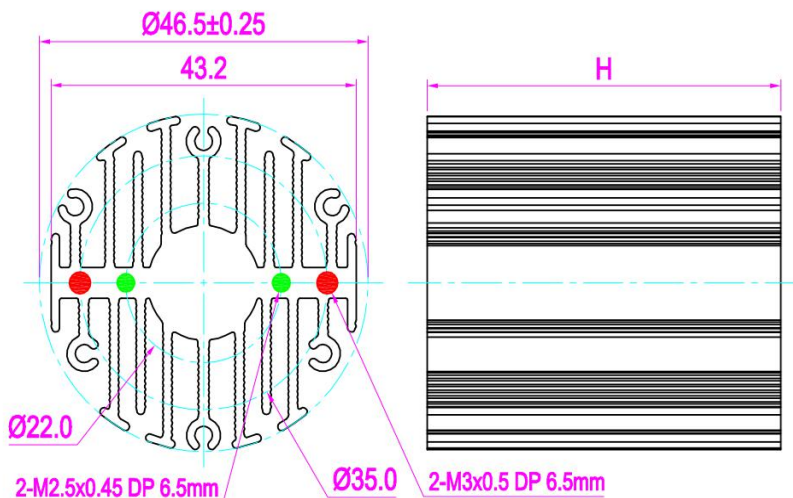
- Mentioned models are an extraction of full product range.
- For specific mechanical adaptations please contact MingfaTech.
- MingfaTech reserves the right to change products or specifications without prior notice.



A. A. G. STUCCHI
Ideas are made of light



MOUNTING OPTION	Module type	Holder NO.	THREAD	THREAD DEPTH	THREAD HOLE DISTANCE
1	COB 10W/13W	/	M2.5	5mm	22.0mm/ @180°
2	COB 10W/13W	BJB (47.319.2028.50)	M3	6.5mm	35.0mm/ @180°
		AAG.STUCCHI (8600)			
		IDEAL (50-2100LG)			



eLED

eLED-LG-4680 LG Innotek Modular Passive Star LED Heat Sink Φ 46mm

The thermal data table

	<p>eLED-4680</p>
Model No.	eLED-LG-4680
Size	Φ 46.5xH80mm
Material	AL6063-T5
Finish	Black Anodized
Weight(gr)	161.5
Thermal Wattage	13.0W
HeatsinkOs-a²	65150
Heat Sink T_{Rise Above Ambient}	3.8

Dissipated Power Pd(W)	Pd = Pe x (1-ηL)	Heat sink to ambient thermal resistance Rhs-amb (°C/W)	Heat sink to ambient temperature rise Ths-amb (°C)
		eLED-LG-4680	
3		4.67	14
6		4.67	28
9		4.33	39
12		4.00	48
15		3.73	56

