

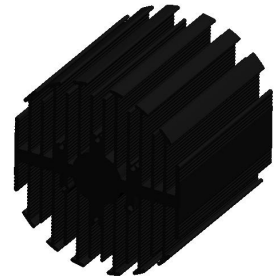


eLED

eLED-TRI-9580 Tridonic Modular Passive Star LED Heat Sink Φ 95mm

Features VS Benefits

- * The eLED-TRI-9580 Tridonic Modular Passive Star LED Heat Sinks are specifically designed for luminaires using the Tridonic LED engines.
- * Mechanical compatibility with direct mounting of the LED engines to the LED cooler and thermal performance matching the lumen packages.
- * For spotlight and downlight designs from 2100 to 5500 lumen.
- * Thermal resistance range R_{th} 1.1C/W.
- * Modular design with mounting holes foreseen for direct mounting of Tridonic TALEXmodule SLE modules.
- * Diameter 95mm - standard height 80mm Other heights on request.
- * Extruded from highly conductive aluminum.



Zhaga LED engine and radiator assembly is a unified future international standardization

- * Below you find an overview of Tridonic COB's and LED modules which standard fit on the eLED Star LED Heat Sinks.
- * In this way mechanical after work and related costs can be avoided, and lighting designers can standardize their designs on a limited number of Star LED Heat Sinks.



Tridonic LED engines for which Zhaga book3 LED Modules holders are available.

For the Stark SLE GEN3 SELECT, CLASSIC, FOOD, ART model.

STARK-SLE-G3-19-xxx; | STARK-SLE-G3-23-xxx;

For the Stark SLE GEN4 ADVANCE, EXCITE model.

With BJB holder: 47.319.2021.50;

SLE-G4-15mm-xxx;

For the Stark SLE GEN4 ADVANCE, EXCITE model.

SLE-G4-19mm-xxx; | SLE-G4-23mm-xxx;

For the Stark SLE GEN3 Mini SELECT, Mini CLASSIC, ART model.

With BJB holder: 47.319.2021.50;

STARK-SLE-PURE-G3-17-xxx;

Tridonic LED engines for which Zhaga book11 LED Modules holders are available.

For the Stark SLE GEN3 Mini SELECT, Mini CLASSIC, ART model.

STARK-SLE-PURE-G3-10-xxx;

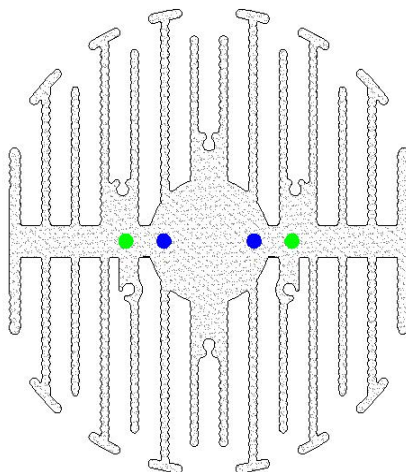
With Zhaga Book 11 LED holder

BJB holder: 47.319.6060.50;

A.A.G Stucchi holder: 8100/G2;

Zhaga Book11 green indicator marks:

Direct mounting with machine screws M3x8mm;



Tridonic LED Modules directly Mounting Options

For the Stark SLE GEN4 ADVANCE, EXCITE model.

SLE-G4-15mm-2000lm-xxx;

Direct mounting with machine screws M3x6mm.

Blue indicator marks.

For the Stark SLE GEN3 Mini SELECT, Mini CLASSIC, ART model.

STARK-SLE-PURE-G3-10-xxx;



eLED

eLED-TRI-9580 Tridonic Modular Passive Star LED Heat Sink Φ 95mm

Mounting Options and Drawings & Dimensions

Example: eLED-TRI-9580-B-3

Example: eLED-TRI-95 **1** - **2** - **3**

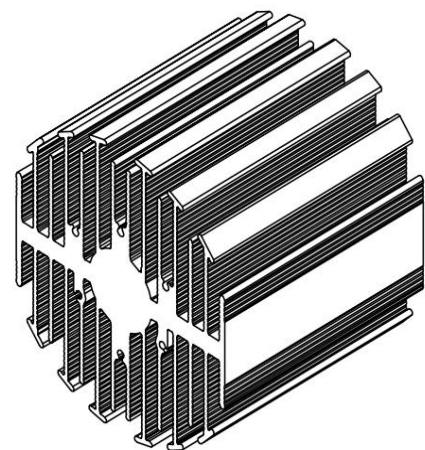
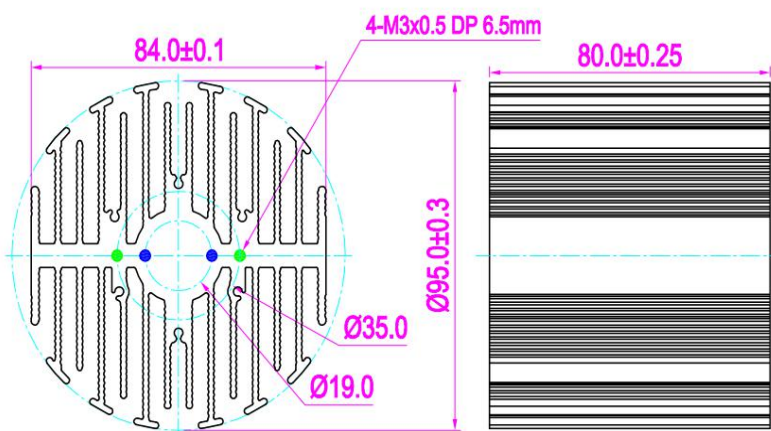
- 1** Height (mm)
- 2** Anodising Color
B-Black
C-Clear
Z-Custom
- 3** Mounting Options - see graphics for details Combinations available
Ex.order code - 12
means option 1 and 2 combined

Notes:

- Mentioned models are an extraction of full product range.
- For specific mechanical adaptations please contact MingfaTech.
- MingfaTech reserves the right to change products or specifications without prior notice.



MOUNTING OPTION	Module type	Holder NO.	THREAD	THREAD DEPTH	THREAD HOLE DISTANCE
1	STARK-SLE-PURE-G3-10-xxx;	/	M3	6.5mm	19.0mm/ @180°
2	SLE-G4-15mm-xxx; STARK-SLE-PURE-G3-17-xxx	BJB (47.319.2021.50)	M3	6.5mm	35.0mm/ @180°
	SLE-G4-19mm-xxx; SLE-G4-23mm-xxx; STARK-SLE-G3-19-xxx; STARK-SLE-G3-23-xxx;	/			



eLED

eLED-TRI-9580 Tridonic Modular Passive Star LED Heat Sink Φ95mm

The thermal data table

	 <i>eLED-9580</i>
Model No.	eLED-TRI-9580
Size	Φ95xH80mm
Material	AL6063-T5
Finish	Black Anodized
Weight(gr)	564
Thermal Wattage	49.2W
HeatsinkOs-a²	170178
Heat Sink T_{Rise Above Ambient}	1.1

Dissipated Power Pd(W)	Pd = Pe x (1-ηL)	Heat sink to ambient thermal resistance Rhs-amb (°C/W)	Heat sink to ambient temperature rise Ths-amb (°C)
		eLED-TRI-9580	
10		1.6	16
20		1.3	26
30		1.2	35
40		1.1	44
50		1.0	52

