



for

LED

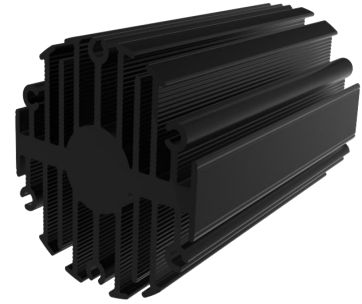


eLED

eLED-OSR-4680 Osram Modular Passive Star LED Heat Sink  $\Phi$ 46mm

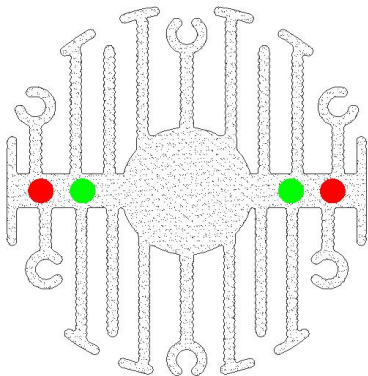
### Features VS Benefits

- \* The eLED-OSR-4680 Osram Modular Passive Star LED Heat Sinks are specifically designed for luminaires using the Osram LED engines.
- \* Mechanical compatibility with direct mounting of the LED engines to the LED cooler and thermal performance matching the lumen packages.
- \* For spotlight and downlight designs from 800 to 1600 lumen.
- \* Thermal resistance range  $R_{th}$  3.8°C/W.
- \* Modular design with mounting holes foreseen for direct mounting of Osram SOLERIQ P6, SOLERIQ S13 and PrevaLED Core LED engines.
- \* Diameter 46.5mm - standard height 80mm Other heights on request.
- \* Extruded from highly conductive aluminum.



### Zhaga LED engine and radiator assembly is a unified future international standardization

- \* Below you find an overview of Osram COB's and LED modules which standard fit on the eLED Star LED Heat Sinks.
- \* In this way mechanical after work and related costs can be avoided, and lighting designers can standardize their designs on a limited number of Star LED Heat Sinks.



### Osram LED Modules Mounting Options

For the Osram PrevaLED Core Z3 LED modules.

PL-CORE -1100-830-Z3;  
PL-CORE -1100-840-Z3;

Zhaga Book3 Red indicator marks:

Direct mounting with machine screws M3x8mm;

For the Osram SOLERIQ P6 modules.

GW MAEGB1.EM-QPQS-27S3;  
GW MAEGB1.EM-QQQT-30S3;  
GW MAEGB1.EM-QQQT-35S3;  
GW MAEGB1.EM-QRQU-40S3;  
GW MAEGB1.EM-QRQU-40S3;

GW MAEGB1.CM-PTQQ-27S3;  
GW MAEGB1.CM-PUQR-30S3;  
GW MAEGB1.CM-PUQR-35S3;  
GW MAEGB1.CM-QPQS-40S3;

Zhaga Book11 Green indicator marks:

BJB holder:47.319.6190.50; AAG.STUCCHI holder:8500-G2;

Direct mounting with machine screws M3x8mm;

For the Osram SOLERIQ S13 modules.

GW KAGHB1.EM-RRRU-27H3;  
GW KAGHB1.EM-RSRU-30H3;  
GW KAGHB1.EM-RSRU-35H3;  
GW KAGHB1.EM-RTSP-40H3;  
GW KAGHB1.EM-RTSP-50H3;  
GW KAGHB1.EM-RTSP-57H3;  
GW KAGHB1.EM-RTSP-65H3;

GW KAGHB1.CM-RQRT-27H3;  
GW KAGHB1.CM-RRRT-30H3;  
GW KAGHB1.CM-RSRU-40H3;

Zhaga Book11 Green indicator marks:

BJB holder:47.319.6111.50;

Direct mounting with machine screws M3x8mm;

Tel:+86-769-39023131

E-fax:+86-(020)28819702 ext:22122

Email:sales@mingfatech.com

Http://www.heatsinkled.com

Http://www.mingfatech.com



eLED

eLED-OSR-4680 Osram Modular Passive Star LED Heat Sink  $\Phi$ 46mm

Mounting Options and Drawings & Dimensions

Example:eLED-OSR-4680-B-3

Example:eLED-OSR-4680-1-2-3

1 Height (mm)

2 Anodising Color

B-Black

C-Clear

Z-Custom

3 Mounting Options - see graphics for details Combinations available

Ex.order code - 12

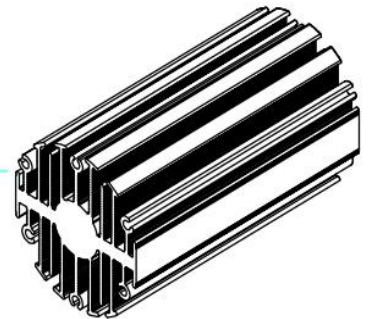
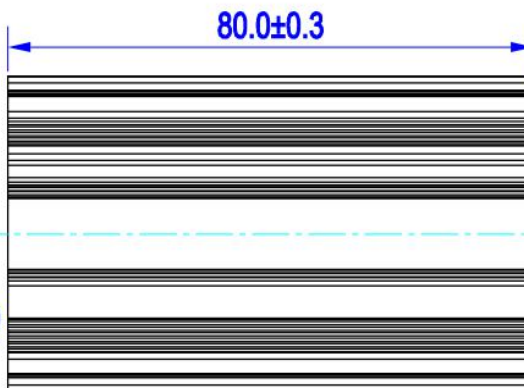
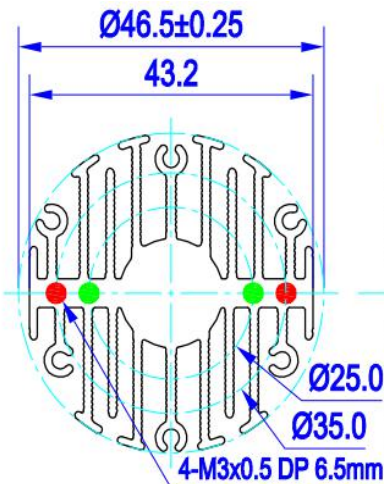
means option 1 and 2 combined

Notes:

- Mentioned models are an extraction of full product range.
- For specific mechanical adaptations please contact MingfaTech.
- 
- MingfaTech reserves the right to change products or specifications without prior notice.



MOUNTING OPTION	Module type	Holder NO.	THREAD	THREAD DEPTH	THREAD HOLE DISTANCE
1	SOLERIQ P6	AAG.STUCCHI (8500-G2)	M3	6.5mm	25.0mm/ 2-@180°
		BJB (47.319.6190.50)			
	SOLERIQ S13	BJB (47.319.6111.50)			
2	PrevaLED Core	/	M3	6.5mm	35.0mm/ 2-@180°



for

LED

eLED

eLED-OSR-4680 Osram Modular Passive Star LED Heat Sink  $\Phi$ 46mm

The thermal data table

	 <i>eLED-4680</i>
<b>Model No.</b>	<b>eLED-OSR-4680</b>
<b>Size</b>	<b><math>\Phi</math>46.5xH80mm</b>
<b>Material</b>	<b>AL6063-T5</b>
<b>Finish</b>	<b>Black Anodized</b>
<b>Weight(gr)</b>	<b>161.5</b>
<b>Thermal Wattage</b>	<b>13.0W</b>
<b>HeatsinkOs-a<sup>2</sup></b>	<b>65150</b>
<b>Heat Sink T<sub>Rise</sub> Above Ambient</b>	<b>3.8</b>

Dissipated Power Pd(W)	Pd = Pe x (1- $\eta$ L)	Heat sink to ambient thermal resistance Rhs-amb ( $^{\circ}$ C/W)	Heat sink toambienttemperature riseThs-amb ( $^{\circ}$ C)
		eLED-OSR-4680	
	3	4.67	14
	6	4.67	28
	9	4.33	39
	12	4.00	48
	15	3.73	56

