



for

LED



HibayLED

HibayLED-PRO-230126

Prolight modular vacuum phase-transition LED Heat Sink (Passive) Φ230mm

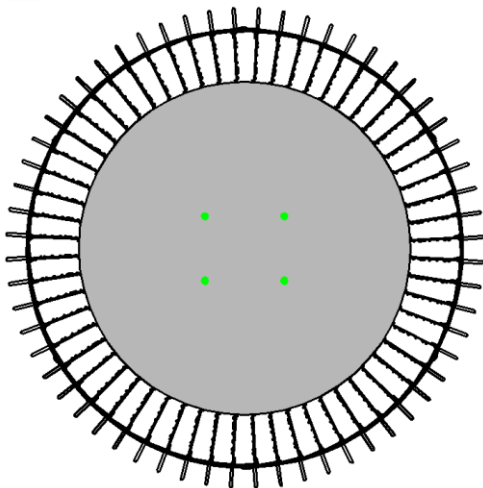
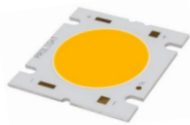
Features VS Benefits

- * The HibayLED-PRO-230126 Prolight Modular vacuum phase-transition LED Heat Sinks (Passive) are specifically designed for luminaires using the Prolight LED engines.
- * Mechanical compatibility with direct mounting of the LED engines to the LED cooler and thermal performance matching the lumen packages.
- * For Highbay designs from 10000 to 18000 lumen.
- * Thermal resistance range Rth 0.34°C/W.
- * Modular design with mounting holes foreseen for direct mounting of Prolight ProEngine Series LED engines.
- * Diameter 230mm - standard height 126mm Other heights on request.



Unique Advantages

- * Integration of heat super conduction and heat dissipation. Reduce heat conduct resistance of heatsink to ZERO;
- * Low heat conduct temperature difference, equivalent heatconductive ability 20 times better than copper;
- * More than 30% reduce of volume and weight than normal heatsinks;
- * Compared to normal extrusion heatsinks, Mingfa Tech's our vacuum phase-transition heatsinks can adapt higher power for the same size;
- * Compared to normal extrusion heatsinks, Mingfa Tech's vacuum phase-transition LED heatsinks are much smaller volume and lighter weight for the same power;
- * All aluminium, cost effective;



Prolight COB engines Mounting Options

ProEngine Series LED engines

- PABB-100FWL-NAAN;
- PABB-100FNL-BAAP;
- PABB-100FVL-BAAP;
- PABB-100FVL-DAAP;

- PABB-200FWL-NDDN;
- PABB-200FNL-BDDP;
- PABB-200FVL-BDDP;
- PABB-200FVL-DDDP;

Green indicator marks:

Direct mounting with machine screws M4x6mm;

HibayLED

HibayLED-PRO-230126

Prolight modular vacuum phase-transition LED Heat Sink (Passive) Φ 230mm

Mounting Options and Drawings & Dimensions

Example:HibayLED-PRO-230126-B-1

Example:HibayLED-PRO-230126 **1** - **2**

- 1** Anodising Color
 - B-Black
 - C-Clear
 - Z-Custom

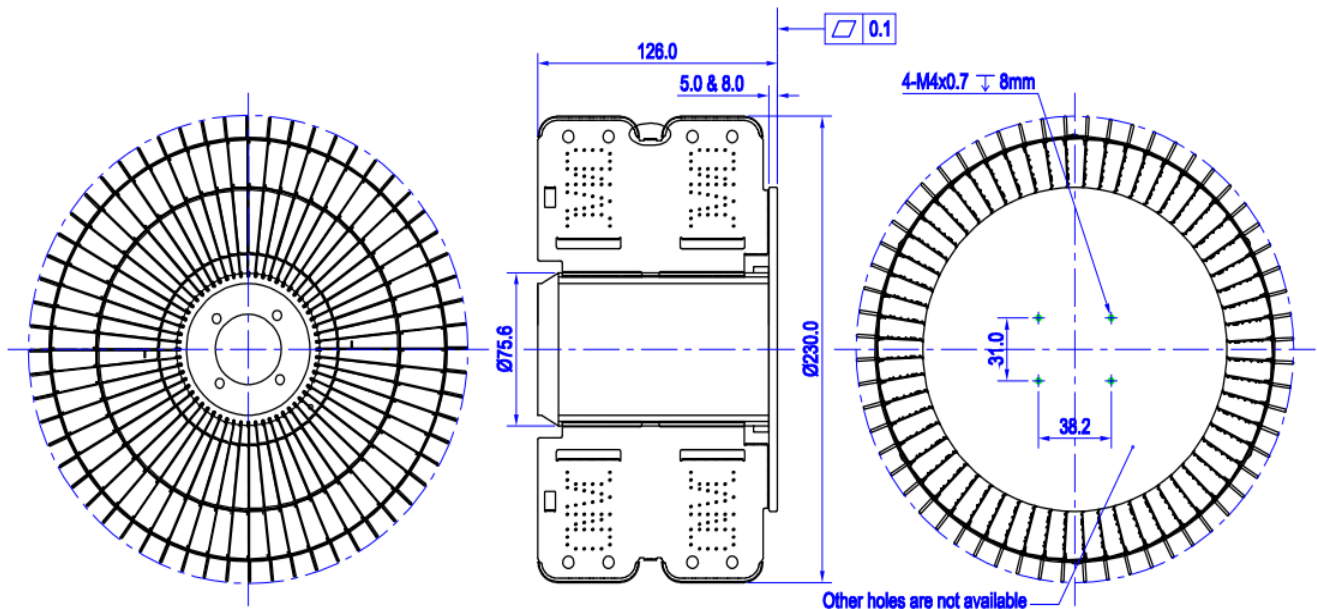
- 2** Mounting Options - see graphics for details Combinations available
 - Ex.order code - 12
 - means option 1 and 2 combined

Notes:

- Mentioned models are an extraction of full product range.
- For specific mechanical adaptations please contact MingfaTech.
- MingfaTech reserves the right to change products or specifications without prior notice.



MOUNTING OPTION	Module type	Holder NO.	THREAD	THREAD DEPTH	THREAD HOLE DISTANCE
1	ProEngine Series	/	M4	6mm	(31.0mmx38.2mm)x2




HibayLED

HibayLED-PRO-230126

Prolight modular vacuum phase-transition LED Heat Sink (Passive) Φ 230mm

The thermal data table

	
	<i>HibayLED</i>
Model No.	HibayLED-PRO-230126
Size	Φ 230xH126mm
Material	AL1070
Finish	Clear Anodized
Weight(gr)	1590.0
Thermal Wattage	150.0W
HeatsinkΘs-a²	1361840
Heat Sink T_{Rise} Above Ambient	0.34

