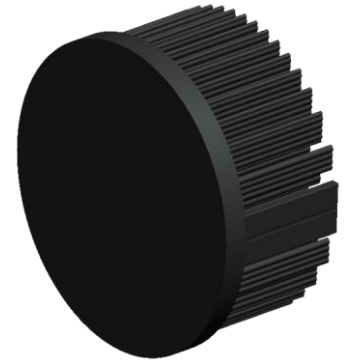


## xLED

### xLED-ADU-6030 Pin Fin LED Heat Sink $\Phi$ 60mm for Adura

#### Features VS Benefits

- \* The xLED-ADU-6030 Adura Pin Fin LED Heat Sinks are specifically designed for luminaires using the Adura LED engines.
- \* Mechanical compatibility with direct mounting of the LED engines to the LED cooler and thermal performance matching the lumen packages.
- \* For spotlight and downlight designs from 600 to 1400 lumen.
- \* Thermal resistance range  $R_{th}$  4.2°C/W.
- \* Modular design with mounting holes foreseen for direct mounting of Adura LOB series LED engines.
- \* Diameter 60mm - standard height 30mm Other heights on request.
- \* Forged from highly conductive aluminum.

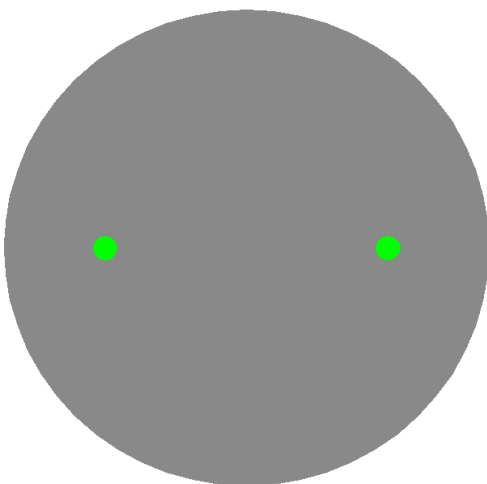
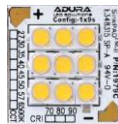


#### Zhaga LED engine and radiator assembly is a unified future international standardization

- \* Below you find an overview of Adura COB's and LED modules which standard fit on the Pin Fin LED Heat Sinks.
- \* In this way mechanical after work and related costs can be avoided, and lighting designers can standardize their designs on a limited number of LED Pin Fin LED Heat Sink.



**ADURA**  
LED SOLUTIONS



#### Adura LED Modules directly Mounting Options

##### LOB 1979C-A LED engines.

LOB-150026D-0093535-277-1x9C;  
LOB-150026D-0093535-307-1x9C;  
LOB-150026D-0093535-357-1x9C;  
LOB-150026D-0093535-407-1x9C;  
LOB-150026D-0093535-457-1x9C;  
LOB-150026D-0093535-507-1x9C;  
LOB-150026D-0093535-577-1x9C;  
LOB-150026D-0093535-657-1x9C;  
LOB-150026D-0093535-278-1x9C;

LOB-150026D-0093535-308-1x9C;  
LOB-150026D-0093535-358-1x9C;  
LOB-150026D-0093535-408-1x9C;  
LOB-150026D-0093535-458-1x9C;  
LOB-150026D-0093535-508-1x9C;  
LOB-150026D-0093535-279-1x9C;  
LOB-150026D-0093535-309-1x9C;  
LOB-150026D-0093535-359-1x9C;  
LOB-150026D-0093535-409-1x9C;

##### LOB 1980C-A LED engines.

LOB-45009D-0093535-277-3x3C;  
LOB-45009D-0093535-307-3x3C;  
LOB-45009D-0093535-357-3x3C;  
LOB-45009D-0093535-407-3x3C;  
LOB-45009D-0093535-457-3x3C;  
LOB-45009D-0093535-507-3x3C;  
LOB-45009D-0093535-577-3x3C;  
LOB-45009D-0093535-657-3x3C;  
LOB-45009D-0093535-278-3x3C;

LOB-45009D-0093535-308-3x3C;  
LOB-45009D-0093535-358-3x3C;  
LOB-45009D-0093535-408-3x3C;  
LOB-45009D-0093535-458-3x3C;  
LOB-45009D-0093535-508-3x3C;  
LOB-45009D-0093535-279-3x3C;  
LOB-45009D-0093535-309-3x3C;  
LOB-45009D-0093535-359-3x3C;  
LOB-45009D-0093535-409-3x3C;

##### With Zhaga Book 3 LED holder

BJB holder: 47.313.2131.50;

Ideal Holde: 50-2103CT

Green indicator marks.

Mounting with machine screws M3x6.5mm;

xLED

xLED-ADU-6030 Pin Fin LED Heat Sink  $\Phi$ 60mm for Adura

Mounting Options and Drawings & Dimensions

Example:xLED-ADU-6030-B-1

Example:xLED-ADU-60 **1** - **2** - **3**

**1** Height (mm)

**2** Anodising Color

B-Black

C-Clear

Z-Custom

**3** Mounting Options - see graphics for details Combinations available

Ex.order code - 12

means option 1 and 2 combined

Notes:

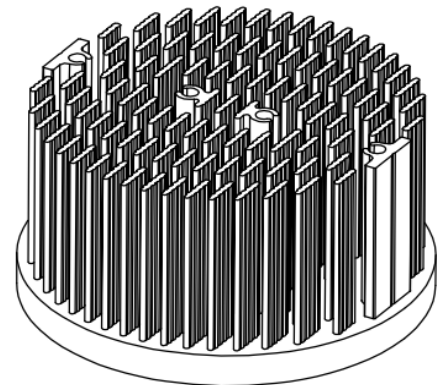
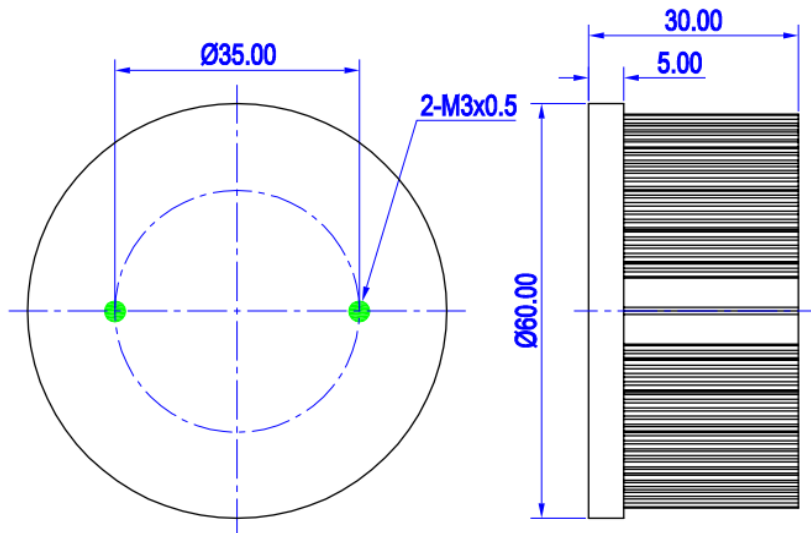
- Mentioned models are an extraction of full product range.
- For specific mechanical adaptations please contact MingfaTech.
- MingfaTech reserves the right to change products or specifications without prior notice.



ADURA  
LED SOLUTIONS



MOUNTING OPTION	Module type	Holder NO.	THREAD	THREAD DEPTH	THREAD HOLE DISTANCE
1	1979C-A; 1980C-A;	Ideal Holde 50-2103CT	M3	6.5mm	35.0mm/ 2-@180°
		BJB 47.313.2131.50			



xLED

xLED-ADU-6030 Pin Fin LED Heat Sink  $\Phi$ 60mm for Adura

The thermal data table

	
	<i>xLED-6030</i>
<b>Model No.</b>	<b>xLED-ADU-6030</b>
<b>Size</b>	<b><math>\Phi</math>60xH30mm</b>
<b>Material</b>	<b>AL1070</b>
<b>Finish</b>	<b>Black Anodized</b>
<b>Weight(g)</b>	<b>80.0</b>
<b>Thermal Wattage</b>	<b>12.0W</b>
<b>Heatsink<math>\Theta</math>s-a<sup>2</sup></b>	<b>40937</b>
<b>Heat Sink RiseT</b> <small>Rise Above Ambient</small> ( $^{\circ}$ C/W)	<b>4.2</b>

Dissipated Power Pd(W)	Pd = Pe x (1- $\eta$ L)	Heat sink to ambient thermal resistance Rhs-amb ( $^{\circ}$ C/W)	Heat sink to ambient temperature rise T <sub>hs-amb</sub> ( $^{\circ}$ C)
		xLED-ADU-6030	
3.0		5.3	16.0
6.0		4.5	27.0
9.0		4.3	39.0
12.0		4.2	50.0
15.0		3.8	57.0

