

TANA[®]

专心、专注、专业……Concentrate, focus, professional...

KNIFE GATE VALVE

www.tanamachine.com



TANA[®]

WENZHOU TOPNOTCH MACHINE CO.,LTD.

Add:Heyi Industrial Zone, Oubei Town,Yongjia,
Wenzhou,Zhejiang,China 325105

Tel:+86-577-67318591

Fax:+86-577-67328591

Mobile:+86-18906638592

E-mail:market@tanamachine.com

Website:www.tanamachine.com

WENZHOU TOPNOTCH MACHINE CO.,LTD.

Brief Introduction

Wenzhou Topnotch Machine Co.,Ltd., brand name TANA .established in the year 2003, located at China famous pump&valve TownOubei,Wenzhou. We'respecialized in producing and marketing all kinds of industrial valves,pump & actuators. Our corporate Vision is to be a pipeline control specialist by supply products and help our valued customer solve their problems with excellent sales & after-sales service, and also reasonable price.

Over the years, we already have expanded our operations with team of well experienced design,manufacturing and marketing engineers. We have 100 -150 employees, around 50 sets advantaged producing equipments, which ensure our production ability. Our products have been widely application in the gas, oil, refining, chemical, marine, power generation and pipeline transmission industries. And 80% of products are supplied to SoutheastAsia, the Middle East, North America, Europe and Africa, more than 30 oversea countries' we have accumulated good reputation from our clients.

Quality is at the heart of everything we do, through product development to manufacturing, supply and sale. We make products strictly according to International standards & clients' requirements, and have established quality control system to ensure us offer the high quality products.

"Keep the promise and offer the top-class products & service" is our principle, we believe that we can establish and maintain long term win-win cooperation through our mutual effort by reasonable price, good quality product and best service.

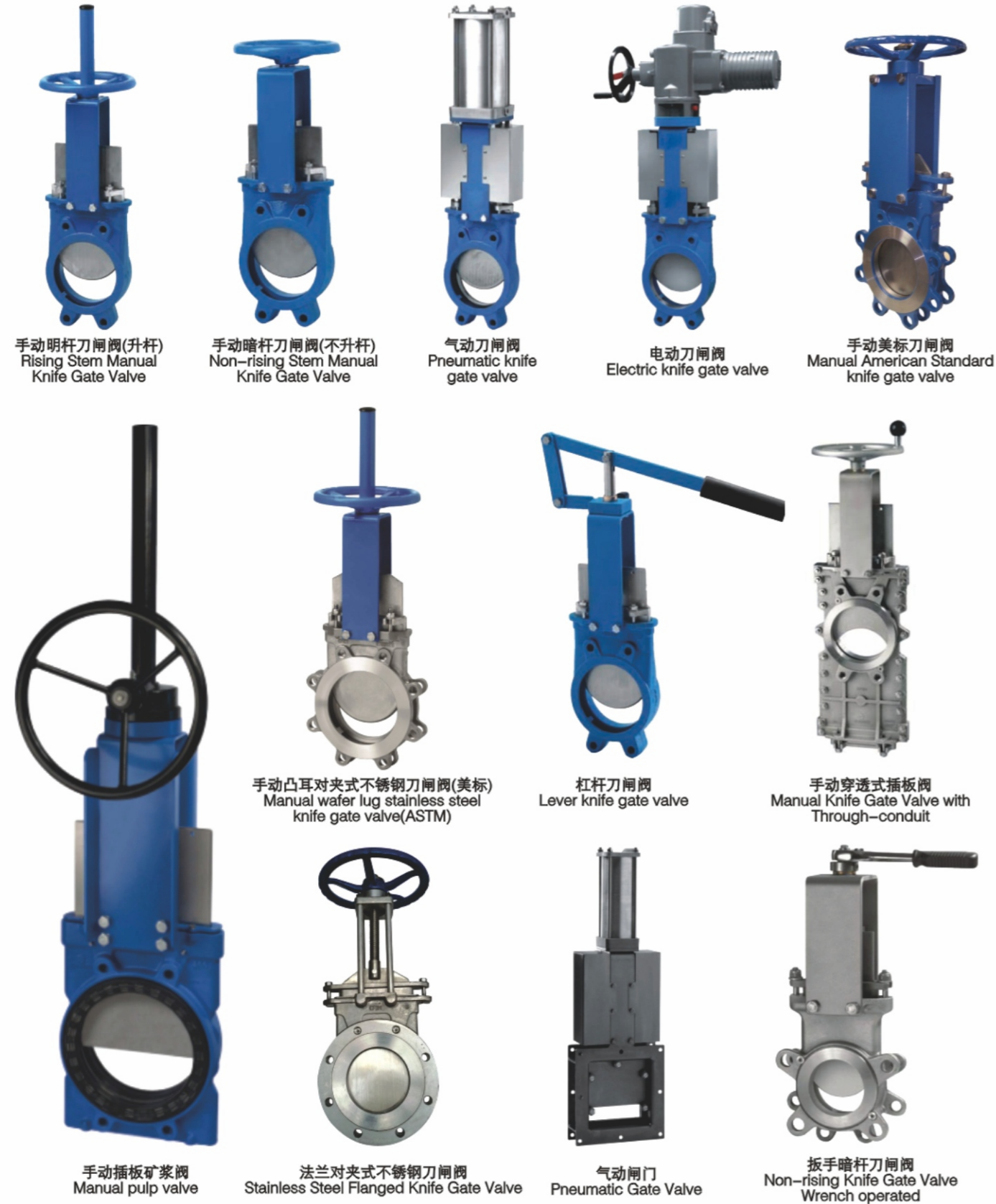
Welcome to contact us, thank you!



工程案例 The engineering case

以科技创造未来 以精品回报社会
Science and technology in order to create the future
Products will be reported to the community





刀闸阀性能与使用范围 Knife gate valve performance and range of use

刀型闸阀是一个单向的单闸板阀门，是为一般工业行业设计制造的。阀体阀座的设计保证不堵塞、关闭悬浮物等行业。

Knife gate valve is a one-way single gate valve, is designed and manufactured for general industrial. Design of valve body and seat to ensure no blockage, close the suspended solids and other industries.

适用范围 Scope of application

造纸行业Papermaking industry	矿业Mining	散装输送The bulk transport
污水处理Sewage treatment	发电厂Power plant	等etc
食品加工Food processing	化工厂Chemical plant	

规格 Specifications

DN 50 – DN 1200(大直径要求Large diameter requirements)

适用工作压力 Application of work pressure

DN 50 – DN 250: 10kg/cm²
 DN 300 – DN 400: 6kg/cm²
 DN 450: 5kg/cm²
 DN 500 – DN 600: 4kg/cm²
 DN 700 – DN 1200: 2kg/cm²

法国 Tecofi

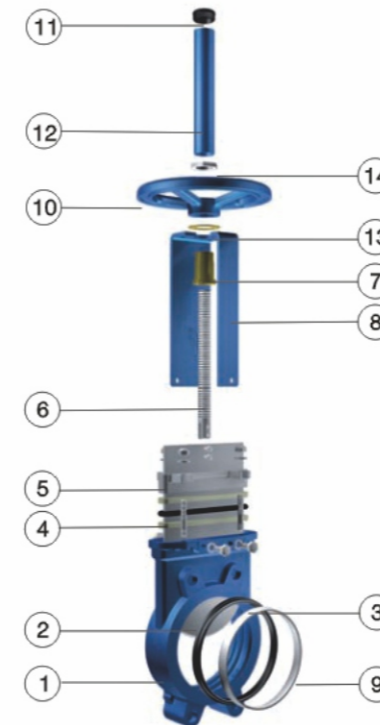
最大工作压力The maximum working pressure
 DN 50 – DN 250: 10bar
 DN 300 – DN 450: 7bar
 DN 500 – DN 600: 4bar
 DN 700 – DN 1200: 2bar

标准法兰连接 The standard flange connection:

DIN PN 10 和 ANSI B16.5(class 150)
 备注Note: 法兰连接尺寸分 the flange dimensions
 DIN PN 6 DIN PN 16 DIN PN25
 BS "D" 和 "E"

要求 Requirement:

设计标准按According to the design standard: MSS SP-81
 结构长度按According to the length of the structure: MSS SP-81



零部件清单 Spare parts list		
零件Spare parts	铸钢、铸铁Cast steel, cast iron	不锈钢Stainless steel
阀体Body	WCB/GGG40	CF8、CF8M
闸板Gate	AISI 304	AISI 304、AISI 316
阀座Seat	金属Metal、NBR、Viton、PTFE	
填料Packing	四氟或缠绕石墨PTFE or Graphite spiral-wound gaskets	
填料压盖Packing gland	WCB/GGG40	CF8、CF8M
阀杆Stem	AISI 430	
阀杆螺母Stem nut	黄铜Brass	
支架Yoke	环氧涂层碳钢Epoxy coated steel	
卡箍Clamp	AISI 304	AISI 316
手轮Hand wheel	Φ ≤310: Ductile Iron/Φ ≤410: GJL250(GG25)	
压盖Gland	塑料Plastic	
阀杆护罩Stem Protection Sleeve	环氧涂层碳钢Epoxy coated steel	
滚针轴承Needle bearing	优质钢High quality steel	
螺母Nut	环氧涂层碳钢Epoxy coated steel	

阀体 Body

刀型闸阀阀体设计具有结构简单、紧凑、合理，通道流畅、流阻小、重量轻、易安装等优点。

The body design of knife gate valve has the advantages: simple, compact and reasonable structure, smooth port, small flow resistance, light weight, easy installation etc.

阀板 Knife Gate

闸板材质为标准的不锈钢、板的两边经过机械抛光磨平，呈镜面般的光滑，能有效地避免开关过程中损坏阀座，关闭位置时更好的密封。

Knife Gate is standard stainless steel, both sides are polished and grinded smoothly as mirror, which can effectively avoid damage of seat through opening or closing and make best seal when close the valve.

阀座 Seat

独特的设计，机械式锁定内部的密封圈，挡圈材质为不锈钢、阀座的标准材料分为丁腈、三元乙丙、氟橡胶、四氟。

The unique design, mechanical retainer of sealing ring, stainless steel retainer, seat materials: NBR, EPDM, VITON, PTFE.

填料 Packing

有几层编织盘根及橡胶密封环，通过填料压盖外力压紧，能有效的保证中道密封性能。材质有石墨编织盘根、PTFE、棉纤维等。

There are several layers of braided packing and rubber seal ring, the packing gland compression force, can effectively ensure the sealing performance. Material is graphite braided packing, PTFE, cotton fiber.

阀杆 Stem

阀杆是采用标准的不锈钢材质，耐腐蚀性能好，使用寿命长。

The stem is made of stainless steel with good corrosion resistance and long service life.

手动驱动方式 Manual driving mode

分手轮驱动、伞齿轮驱动、正齿轮驱动。

Handwheel, Bevel Gear and Gear operated.

自动驱动方式 Automatic driving mode

分电动、气动、液压式、电液动。

Electric, pneumatic, hydraulic, electro-hydraulic.

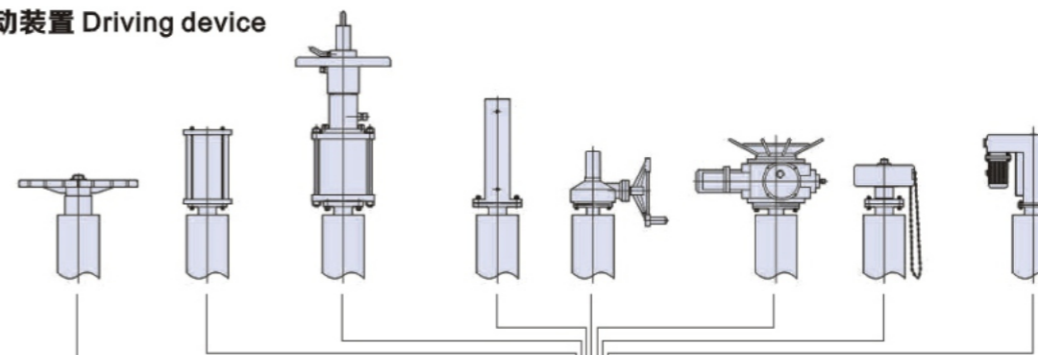
环氧树脂涂层 Epoxy Coating

智泉流体阀门公司的所有铸铁、铸钢阀门产品及碳钢配件都采用环氧树脂喷涂，高质量的保护阀门内腔耐腐蚀、清洁度，有效延长阀门使用寿命。

All cast iron, cast steel valves and steel spare parts from ZHIQUAN are epoxy coated, well protecting valve inner port against corrosive and dirty conditions for longer service life.



驱动装置 Driving device

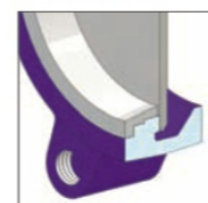


金属密封阀座 Metal seal valve seat



- 适用范围：高温工况
- 高密度工况：如沥青，纸浆；完全不需要十分密封性能的工况：如泥浆，矿渣。
- Scope of application: high temperature conditions
- High density conditions, such as asphalt and pulp; Working conditions that don't need 100% sealing, such as mud, slag.

加强型 Enhanced



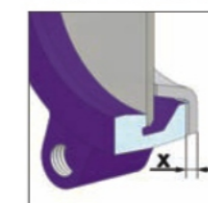
- 适用范围：高温工况
- 高密度工况：如沥青，纸浆；完全不需要十分密封性能的工况：如泥浆，矿渣。
- 优点可更换设计，不用拆卸阀门
- Scope of application: high temperature conditions
- High density conditions, such as asphalt and pulp; Working conditions that don't need 100% sealing, such as mud, slag.
- The advantages of design can be replaced, without removing the valve.

弹性软密封阀座 Elastic soft sealing valve seat



- 标准弹性阀座，根据温度不同选择相应的材料可更换阀座的弹性卡环。
- Standard elastic valve seat, according to the different temperature to select the appropriate material can replace the seat of the elastic clamping ring

金属密封带漏斗式 Metal seal with a deflection cone



- 能有效的保护阀门内腔不被介质冲刷掉，如闸板、阀座、阀壁，更大程度提升阀门的使用寿命。
 - 可选材质为316、CA15、聚氨酯
 - Can effectively protect inner port, such as gate, seat, inner wall and mostly extend service life.
 - Optional materials: SS316, CA15, Polyurethane.
- 结构长度增加
The length of face to face is increased by
DN50-DN250 X=9mm
DN300-DN600 X=12mm

阀门适用温度范围 Applicable temperature range of the valve

阀座/密封 Seat / seal		
材料Material	最大温度(°C) The maximum temperature	用途Use
硬密封 Hard sealing	>250	低密度高温介质 Low density and high temperature medium
EPDM(E)	120	酸性和非油品类 Acidic and non oil products
Nitrile(N)	120	耐油、耐磨 Oil resistance, abrasion resistance
Viton(V)	200	化学用品Chemical supplies 高温液体 High temperature liquid
PTFE(T)	250	耐腐蚀物质、碱性物质 Corrosion resistant material, an alkaline substance

填料 Packing		
材料Material	最大温度(°C) The maximum temperature	pH
干棉盘根 Dry cotton packing	50	6-8
四氟编织盘根 PTFE Braided packing	240	2-13
四氟和纤维混合物 PTFE fiber mixture	260	0-14
石墨盘根 Graphite packing	600	0-14
陶瓷纤维 Ceramic fiber	1200	-

手轮明杆执行机构 (升杆) Handwheel Operated(Rising Stem)

手轮明杆执行机构(升杆) Handwheel Operated. (Rising Stem)

标准手轮驱动

组成部件:

- 手轮
- 阀杆
- 阀杆、螺母
- 阀杆防护罩

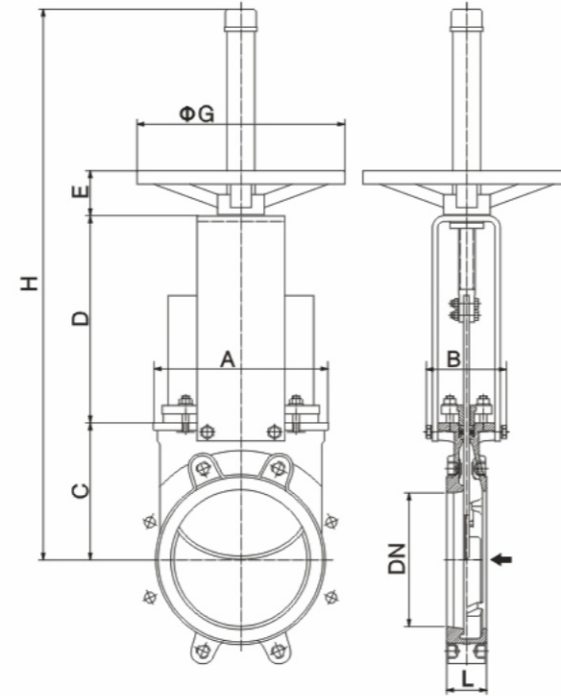
适用范围: DN50-DN1000

A standard handwheel drive

Component:

- The hand wheel
- The valve stem
- The valve stem nut
- Stem Protection Sleeve

Scope of application: DN50-DN1000



DN	L	A	B	C	D	E	ΦG	H	重量kg
50	48	136	95	100	129	47	180	420	7
65	48	150	95	110	146	47	180	450	8
80	51	173	110	130	162	47	200	475	9
100	51	198	115	148	187	47	220	520	11
125	57	230	115	160	211	47	240	600	15
150	57	254	125	185	237	47	280	652	18
200	70	274	125	230	309	67	300	822	30
250	70	357	145	280	364	67	350	1022	44
300	76	415	145	330	414	67	350	1122	58
350	76	470	150	370	486	66	400	1323	96
400	89	535	170	455	536	66	450	1427	124
450	89	590	170	475	588	66	500	1594	168
500	114	680	190	570	648	66	550	1707	192
600	114	770	190	620	748	66	550	2022	245
700	117	890	210	745	890	74	600	2778	405
800	117	1015	210	840	989	74	600	2980	512
900	117	1040	235	940	1118	74	700	3215	680
1000	180	1146	235	1050	1220	74	800	3400	865

手轮暗杆执行机构 (不升杆) Handwheel Operated(Nonrising Stem)

手轮暗杆执行机构(不升杆) Handwheel Operated (Non-rising Stem)

建议安装空间受限的地方

组成部件:

- 环氧涂层手轮
- 阀杆
- 阀杆、轴承
- 阀杆螺母安装在阀板

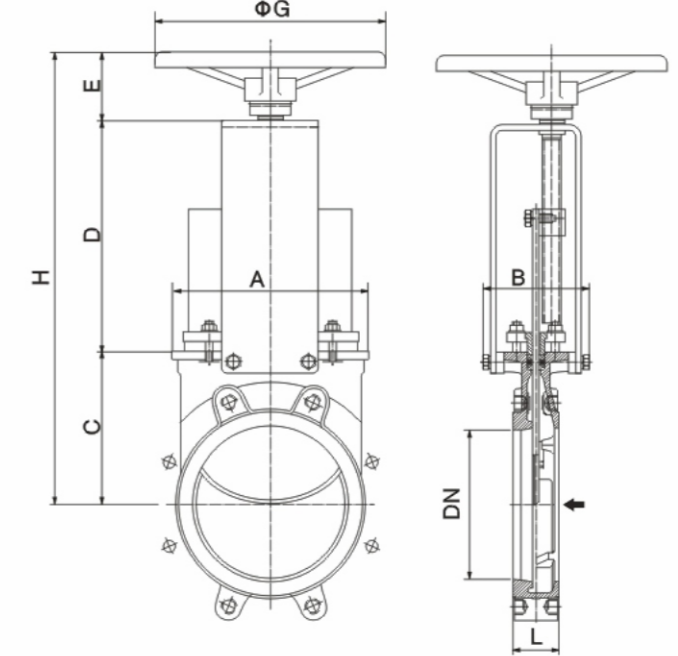
适用范围: DN50-DN1000

Suggest installation space is limited.

Component:

- Epoxy coating wheel
- The valve stem
- The stem, bearing
- The valve stem nut is installed in the valve plate

Scope of application: DN50-DN1000



DN	L	A	B	C	D	E	ΦG	H
50	48	136	95	100	132	78	180	315
65	48	150	95	110	149	78	180	342
80	51	173	110	130	165	78	200	367
100	51	198	115	148	190	78	220	408
125	57	230	115	160	214	78	240	442
150	57	254	125	185	240	78	280	493
200	70	274	125	230	300	92	300	602
250	70	357	145	280	360	92	350	702
300	76	415	145	330	410	92	350	802
350	76	470	150	370	487	110	400	935
400	89	535	170	455	537	110	450	1039
450	89	590	170	475	589	111	500	1132
500	114	680	190	570	649	111	550	1245
600	114	770	190	620	748	111	550	1449
700	117	890	210	745	900	151	600	1737
800	117	1015	210	840	997	151	600	1939
900	117	1040	235	940	1128	151	700	2174
1000	180	1146	235	1050	1255	151	800	2381

链轮执行机构 Chainwheel Operated

链轮执行机构 Chainwheel Operated

建议高空手动操作方式

组成部件:

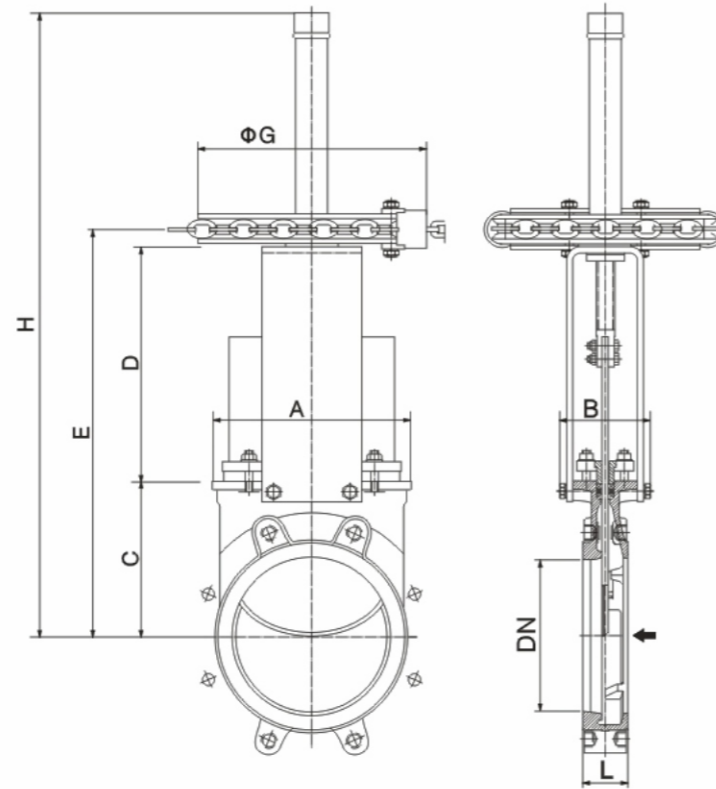
- 环氧涂层球铁链轮
- 阀杆
- 阀杆、螺母
- 阀杆保护罩

适用范围: DN50-DN600

The proposed aerial manual operation mode
Component:

- Epoxy coating for ductile iron chain
- The valve stem
- The valve stem nut
- The protective cover

Scope of application: DN50-DN600



DN	L	A	B	C	D	E	ΦG	H
50	48	136	95	100	129	253	100	420
65	48	150	95	110	146	280	100	450
80	51	173	110	130	162	305	150	475
100	51	198	115	148	187	347	150	520
125	57	230	115	160	211	380	150	600
150	57	254	125	185	237	431	200	652
200	70	274	125	230	309	538	200	822
250	70	357	145	280	364	638	250	1022
300	76	415	145	330	414	738	250	1122
350	76	470	150	370	486	856	350	1323
400	89	535	170	455	536	960	350	1427
450	89	590	170	475	588	1052	450	1594
500	114	680	190	570	648	1165	450	1707
600	114	770	190	620	748	1370	450	2022

杠杆执行机构 Lever actuators

杠杆执行机构 Lever actuators

快速打开和关闭的推荐操作方式

组成部件:

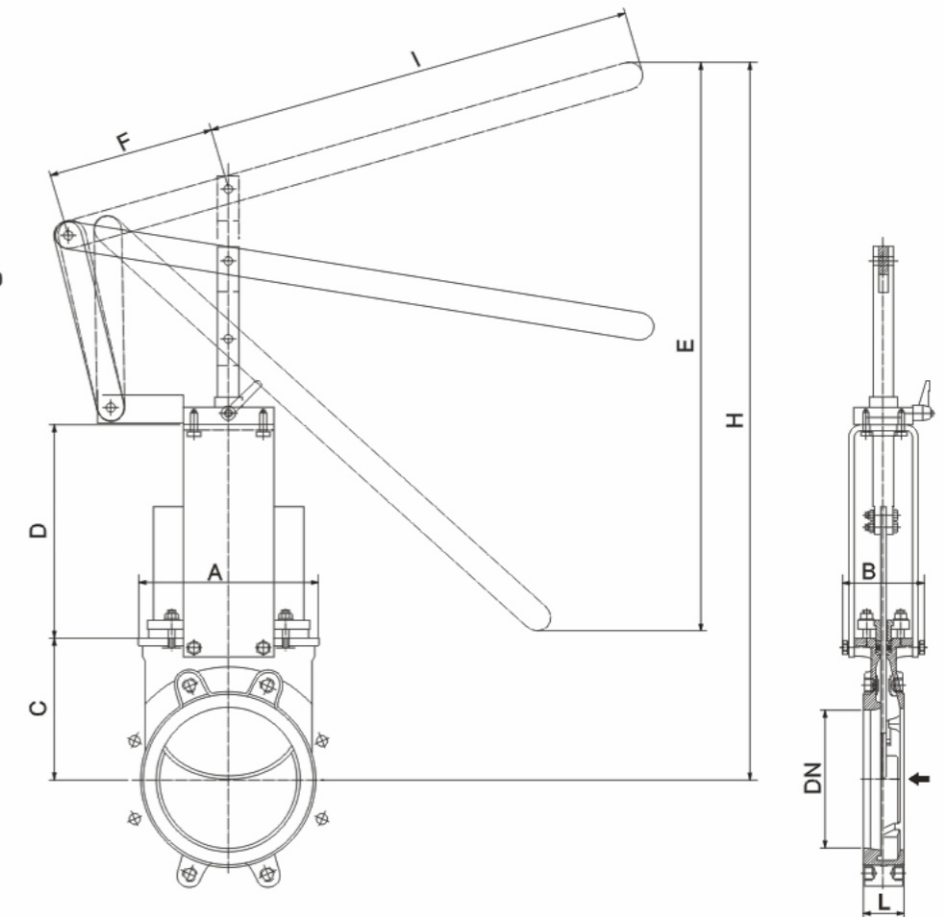
- 杠杆
- 阀杆
- 方向节叉
- 杠杆锁

适用范围: DN50-DN200

Fast opening and closing of the
recommended operating mode
Component:

- Lever
- The valve stem
- The direction of fork
- Lever lock

Scope of application: DN50-DN200



DN	L	A	B	C	D	E	F	H	I
50	48	136	95	100	129	256	150	408	315
65	48	150	95	110	146	259	150	435	315
80	51	173	110	130	162	307	150	509	315
100	51	198	115	148	187	439	150	637	415
125	57	230	115	160	211	529	150	755	415
150	57	254	125	185	237	620	150	895	415
200	70	274	125	230	309	822	235	1038	620

伞齿轮执行机构 Bevel gear actuators

伞齿轮执行机构 Bevel gear actuators

推荐阀门大于或等于DN350和工作压力大于3.5kg/cm²的阀门

组成部件:

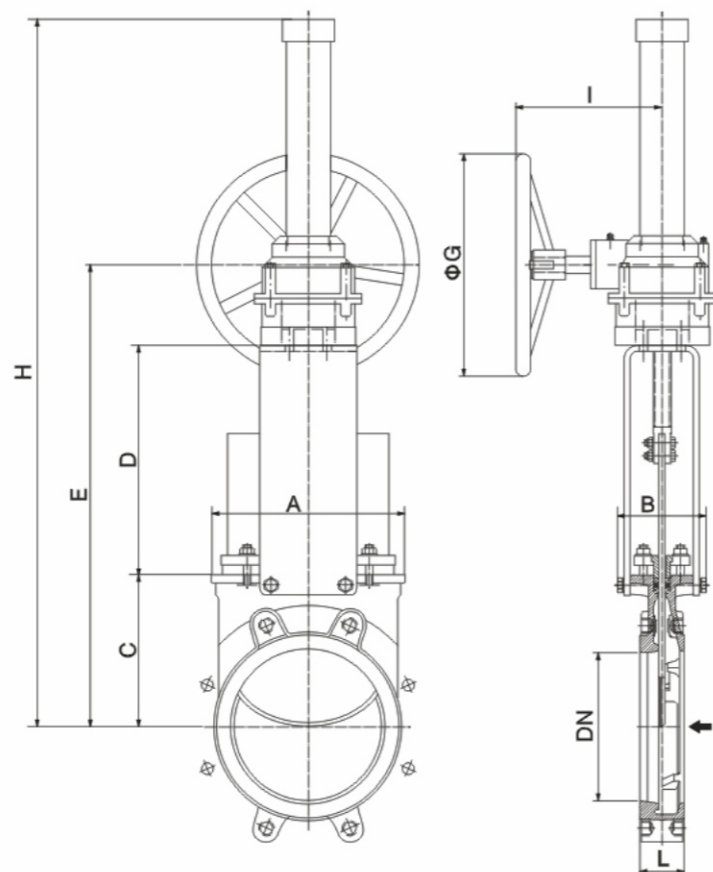
- 杠杆
- 支架
- 伞齿轮
- (速比 4:1)

适用范围: DN200-DN1200

Recommended valve is greater than or equal to DN350 and the working pressure greater than 3.5kg/cm² valve
Component:

- Lever
- Yoke
- Bevel gear
- (Standard Ratio 4:1)

Scope of application: DN200-DN1200



DN	L	A	B	C	D	E	ΦG	H	I
200	70	274	125	230	309	584	250	994	200
250	70	357	145	280	364	684	250	1094	200
300	76	415	145	330	414	784	310	1194	200
350	76	470	150	370	472	857	310	1657	262
400	89	535	170	455	522	961	310	1761	262
450	89	590	170	475	574	1053	310	1853	262
500	114	680	190	570	634	1166	310	1966	262
600	114	770	190	620	734	1371	460	2171	262
700	117	890	210	745	89	1623	460	2423	262
800	117	1015	210	840	993	1886	460	2926	260
900	117	1040	235	940	1123	2120	460	3160	288
1000	180	1146	235	1050	1220	2302	460	3342	288

双作用气动执行机构 Double acting pneumatic actuator

双作用气动执行机构 Double acting pneumatic actuator

标准气压驱动装置(双作用气缸开关型)

组成部件:

- DN50-250 铝缸桶
- DN≥300 复合缸桶
- 铝端盖
- 活塞杆为中碳或不锈钢

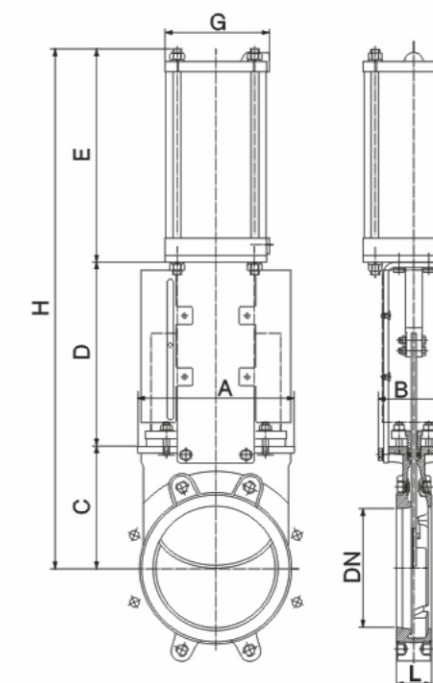
适用范围: DN200-DN1200

The standard air pressure drive device
(double acting cylinder switch type)

Component:

- DN50-250 Aluminum cylinder barrels
- DN≥300 Composite cylinder
- Aluminum end caps
- The piston rod is a carbon or stainless steel

Scope of application: DN200-DN1200



DN	L	A	B	C	D	E	G	H	重量kg	圆缸径与行程	气源接口
50	48	136	95	100	129	178	115	412	9	C100/62	1/4" G
65	48	150	95	110	146	193	115	454	10	C100/77	1/4" G
80	51	173	110	130	162	211	115	497	11	C100/95	1/4" G
100	51	198	115	148	187	231	115	558	14	C100/115	1/4" G
125	57	230	115	160	211	271	140	632	20	C125/143	1/4" G
150	57	254	125	185	237	296	140	708	25	C125/168	1/4" G
200	70	274	125	230	309	358	175	872	44	C160/220	1/4" G
250	70	357	145	280	364	428	220	1042	67	C200/270	3/8" G
300	76	415	145	330	414	478	220	1192	82	C200/320	3/8" G
350	76	470	150	370	486	549	277	1387	135	C250/375	3/8" G
400	89	535	170	455	536	599	277	1541	165	C250/425	3/8" G
450	89	590	170	475	588	680	382	1710	220	C300/475	1/2" G
500	114	680	190	570	648	730	382	1873	280	C300/525	1/2" G
600	114	770	190	620	748	830	382	2178	330	C300/625	1/2" G
700	117	890	210	745	890	985	444	2546	520	C350/730	3/4" G
800	117	1015	210	840	989	1085	444	2850	650	C350/830	3/4" G
900	117	1040	235	940	1118	1202	515	3202	850	C400/930	3/4" G
1000	180	1146	235	1050	1220	1296	515	3488	1060	C400/1030	3/4" G

单作用弹簧式 Single acting spring type

气缸组成部件:

- 铝制缸桶
- 碳钢弹簧罩
- 弹簧
- 活塞连杆
- 活塞

适用范围: DN50-DN200

供应压力: 最小5kg/cm², 最大10kg/cm²

供应选择: 故障时开启
故障时关闭

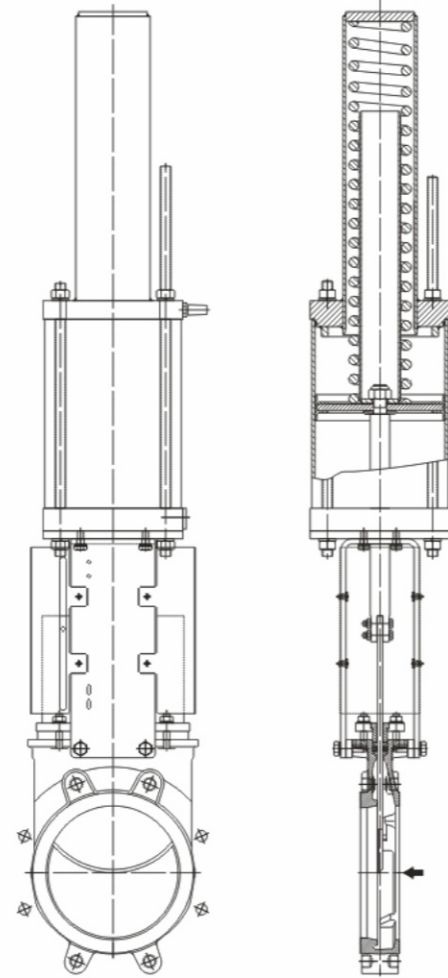
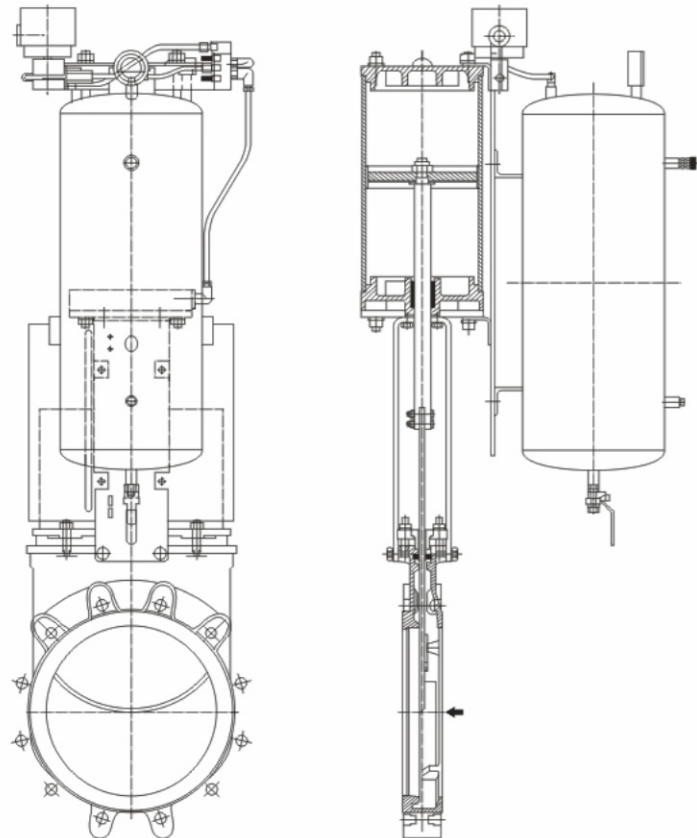
Component:

- Aluminum cylinder barrels
- Carbon steel spring cover
- Spring
- The piston rod
- Piston

Scope of application: DN50-DN200

Supply pressure: The minimum 5kg/cm², maximum 10kg/cm²

Choose: Fault opening
Fault shutdown



单作用储气罐式 Single acting gas storage tank

组成部件:

- 双作用气缸
- 储气罐
- 短管阀、电磁阀

适用范围: DN250-DN600

供应压力: 最小3.5kg/cm², 最大10kg/cm²

供应选择: 气动故障保险
气动或电动失效保护

Component:

- Double acting cylinder
- Gas tank
- The spool valve, solenoid valve

Scope of application: DN250-DN600

Supply pressure: The minimum 3.5kg/cm², maximum 10kg/cm²

Choose: The pneumatic fail safe
Pneumatic or electric failure protection

电动执行机构刀闸阀 Knife gate valve electric actuator

电动执行机构刀闸阀 Knife gate valve electric actuator

组成部件:

- 电动执行器
- 阀杆
- 电动连接法兰
(GB/T12221/ISO5210, DIN3338)

标准电机装置:

- 应急操作手轮
- 内置限位开关
- 转矩开关

适用范围: DN50-DN1200

各种类型和标准尽可能的满足客户的要求。

供应选择: 明杆式(升杆)
暗杆式(不升杆)

Component:

- Electric actuator
- The valve stem
- Mounting Pad (Top Flange)
(GB/T12221/ISO5210, DIN3338)

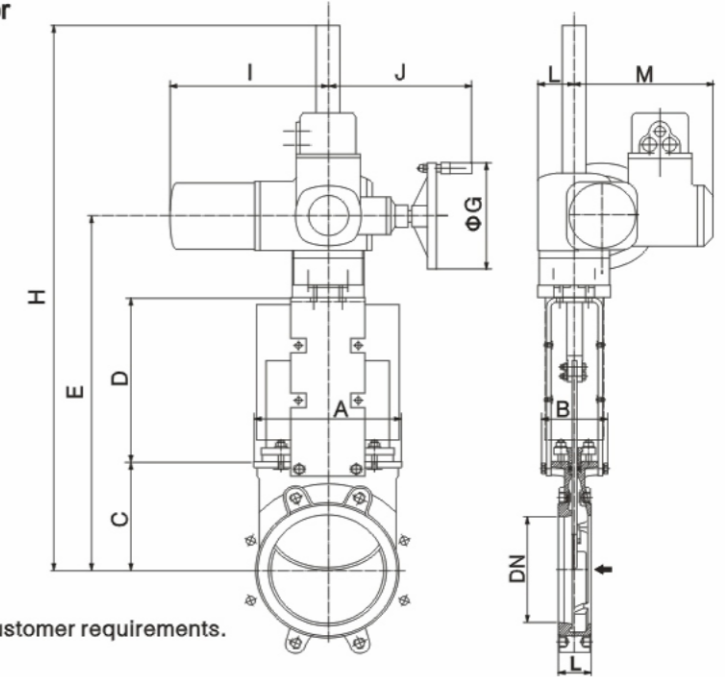
Standard motor device:

- Emergency operation hand wheel
- Built in limit switches
- Torque switch

Scope of application: DN50-DN1200

Various types and standards as much as possible to meet customer requirements.

Options: Rising Stem
Non-rising Stem



DN	L	A	B	C	D	E	ΦG	H	I	J	L	M	阀杆直径X螺距	扭矩(N.m)
50	48	136	95	100	129	377	160	547	265	249	62	237	20×4	10
65	48	150	95	110	146	404	160	574	265	249	62	237	20×4	10
80	51	173	110	130	162	429	160	599	265	249	62	237	20×4	10
100	51	198	115	148	187	470	160	640	265	249	62	237	22×4	10
125	57	230	115	160	211	504	160	674	265	249	62	237	22×4	15
150	57	254	125	185	237	555	160	1055	265	249	62	237	24×5	20
200	70	274	125	230	309	669	200	1169	265	249	62	237	24×5	30
250	70	357	145	280	364	769	200	1269	265	249	62	237	28×5	45
300	76	415	145	330	414	869	200	1369	265	249	62	237	28×5	40
350	76	470	150	370	472	940	200	1440	282	256	65	247	28×5	70
400	89	535	170	455	552	1044	200	1544	282	256	65	247	32×6	90
450	89	590	170	475	610	1172	200	1672	282	256	65	247	32×6	95
500	114	680	190	570	670	1280	200	1780	282	256	90	247	36×6	110
600	114	770	190	620	800	1565	315	2065	385	329	90	285	36×6	140
700	117	890	210	745	900	1763	315	2846	385	329	90	285	40×7	120
800	117	1015	210	840	980	1948	315	3031	385	329	90	285	40×7	180
900	117	1040	235	940	1087	2157	400	3240	385	332	90	285	50×8	220
1000	180	1146	235	1050	1200	2350	400	3431	385	332	90	285	50×8	300

手动闸阀 Manual gate

手动明杆驱动(开杆式) Handwheel(rising stem)

标准手轮驱动机构

部件组成:

- 手轮: 环氧涂层 球铁
- 支架
- 阀杆
- 阀杆螺母
- 阀杆防护罩

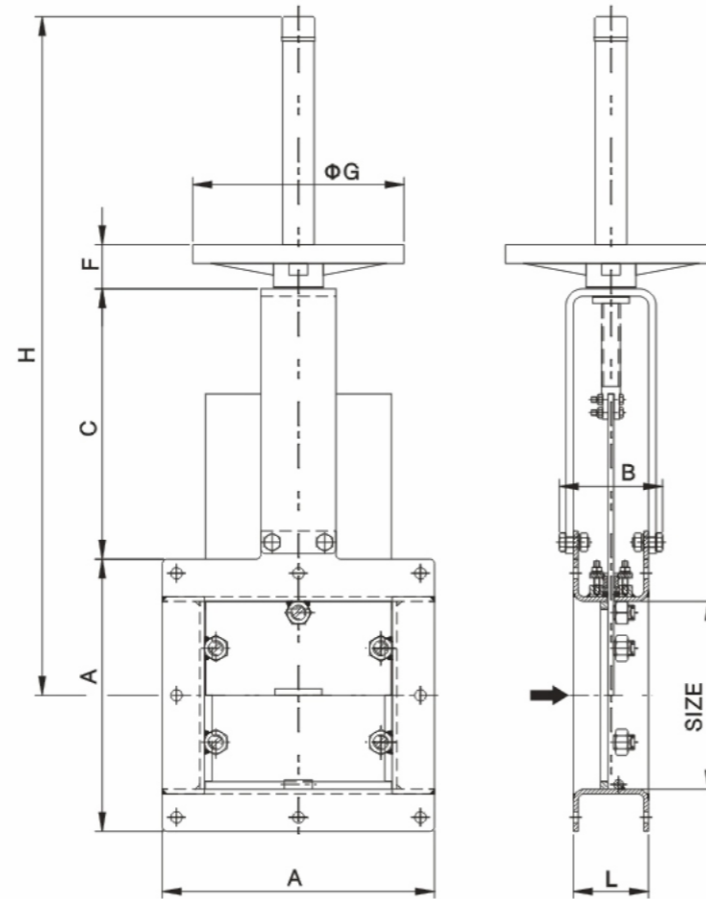
可用规格: 150×150~600×600

Standard manual actuator

consists of :

- Handwheel: Epoxy coated Cast Iron
- Yoke
- Stem
- Stem nut
- Stem Protection Sleeve

Available from: 150×150~600×600



Size	L	A	B	C	ΦG	F	H	重量Weight(Kg)
150×150	80	240	110	219	225	47	580	23
200×200	80	290	115	288	310	67	740	27
250×250	80	340	115	338	310	67	915	32
300×300	80	390	115	388	310	67	990	38
350×350	100	450	137	444	410	68	1165	58
400×400	100	500	137	494	410	68	1240	66
450×450	100	550	137	544	410	68	1390	75
500×500	100	600	137	594	410	68	1575	85
600×600	100	700	137	694	410	68	1725	110

气动闸阀 Pneumatic valve

气缸驱动 Pneumatic cylinder

标准气动驱动机构(双作用气压缸)包括:

部件组成:

- DN≤250; 铝缸桶
- DN≥300; 铁缸桶
- 缸桶端盖
- 不锈钢活塞杆
- 活塞组合件

可用规格: 150×150~600×600

供应气压范围: 最小3.5kg/cm²-最大10kg/cm²

驱动器设计为: 6kg/cm²供给气源

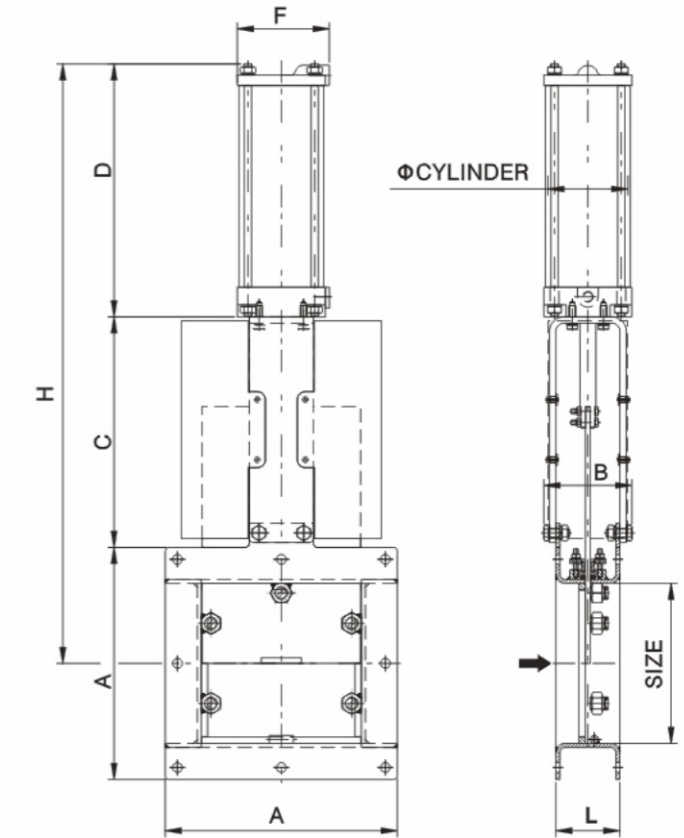
The standard pneumatic actuator(double acting off cylinder); consists of :

- DN≤250; Aluminum barrels
- DN≥300; Composite barrels
- Aluminum end covers
- Stainless steel(AISI 304)piston rod
- Nitrile coated steel piston

Available from: 150×150~600×600

Supply pressure: min.3.5kg/cm²-max.10kg/cm²

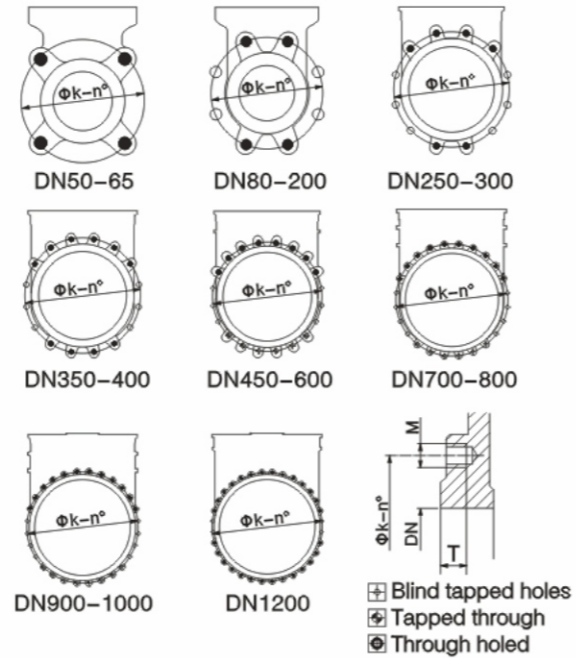
Actuator designed with: 6kg/cm² air supply



Size	L	A	B	C	D	F	H	重量Weight(Kg)	Standard Cyl.	Scnect.
150×150	80	240	110	219	266	115	605	25	C100/150	1/4"G
200×200	80	290	115	288	317	115	750	30	C100/200	1/4"G
250×250	80	340	115	338	367	115	875	35	C100/250	1/4"G
300×300	80	390	115	388	417	115	1000	42	C100/300	1/4"G
350×350	100	450	137	444	485	140	1154	63	C125/355	1/4"G
400×400	100	500	137	494	535	140	1279	72	C125/405	1/4"G
450×450	100	550	137	544	585	140	1404	80	C125/455	1/4"G
500×500	100	600	137	594	650	175	1544	98	C160/510	1/4"G
600×600	100	700	137	694	750	175	1794	125	C160/610	1/4"G

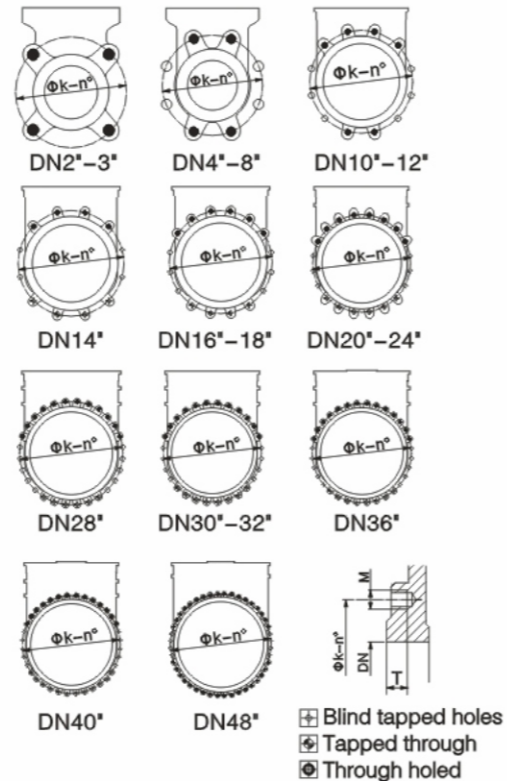
EN 1092-2 PN10

DN	ΦK	n°	M	T	⊕ ⊖ ⊗
50	125	4	M-16	11	4----
65	145	4	M-16	11	4----
80	160	8	M-16	11	4---4
100	180	8	M-16	11	4---4
125	210	8	M-16	11	4---4
150	240	8	M-20	14	4---4
200	295	8	M-20	14	4---4
250	350	12	M-20	18	6---6
300	400	12	M-20	18	6---6
350	460	16	M-20	22	6-4-6
400	515	16	M-24	24	6-4-6
450	565	20	M-24	24	8-6-6
500	620	20	M-24	24	8-6-6
600	725	20	M-27	24	8-6-6
700	840	24	M-27	20	10-6-8
800	950	24	M-30	20	10-6-8
900	1050	28	M-30	20	12-8-8
1000	1160	28	M-33	20	12-8-8
1200	1380	32	M-36	30	22-6-7



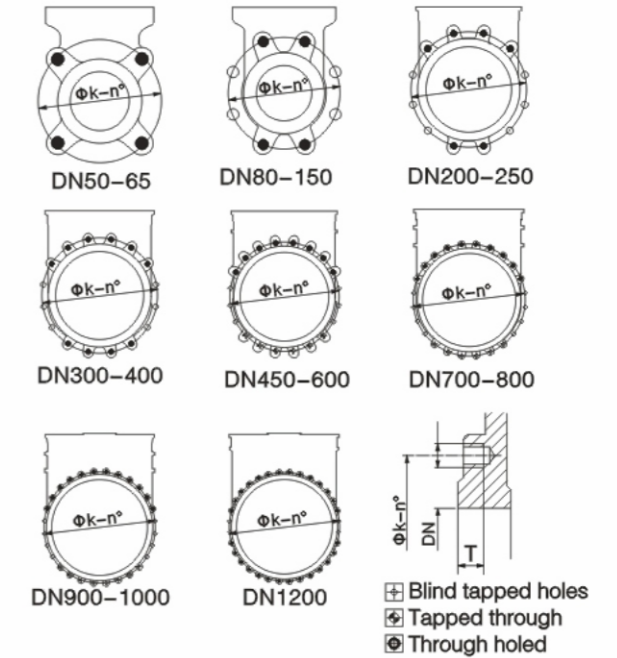
ANSI B16.5, class 150(*)

DN	ΦK	n°	M	T	⊕ ⊖ ⊗
2"	4 3/4"	4	5/8"UNC	3/8"	4----
2 1/2"	5 1/2"	4	5/8"UNC	3/8"	4----
3"	6"	4	5/8"UNC	3/8"	4----
4"	7 1/2"	8	5/8"UNC	3/8"	4---4
5"	8 1/2"	8	3/4"UNC	3/8"	4---4
6"	9 1/2"	8	3/4"UNC	1/2"	4---4
8"	11 3/4"	8	3/4"UNC	1/2"	4---4
10"	14 1/4"	12	7/8"UNC	3/4"	6---6
12"	17"	12	7/8"UNC	3/4"	6---6
14"	18 3/4"	12	1"UNC	7/8"	6-4-4
16"	21 1/4"	16	1"UNC	1"	6-4-6
18"	22 3/4"	16	1 1/8"UNC	1"	8-4-6
20"	25"	20	1 1/8"UNC	1"	8-6-6
24"	29 1/2"	20	1 1/4"UNC	1"	8-6-6
28"	34"	28	1 1/4"UNC	3/4"	12-6-10
30"	36"	28	1 1/4"UNC	3/4"	12-8-8
32"	38 1/2"	28	1 1/2"UNC	3/4"	12-8-8
36"	42 3/4"	32	1 1/2"UNC	3/4"	14-8-10
40"	47 1/4"	36	1 1/2"UNC	3/4"	14-12-10
48"	56"	44	1 1/2"UNC	13/16"	26-10-8



JIS 2212 PN10K

DN	ΦK	n°	M	T	⊕ ⊖ ⊗
50	120	4	M-16	11	4----
65	140	4	M-16	11	4----
80	150	8	M-16	11	4---4
100	175	8	M-16	11	4---4
125	210	8	M-20	11	4---4
150	240	8	M-20	14	4---4
200	290	12	M-20	14	6-4-6
250	355	12	M-22	18	6---6
300	400	16	M-22	18	6---6
350	445	16	M-22	22	6-4-6
400	510	16	M-24	24	6-4-6
450	565	20	M-24	24	8-6-6
500	620	20	M-24	24	8-6-6
600	730	24	M-30	24	10-6-8
700	840	24	M-30	30	10-6-8
800	950	28	M-30	30	12-8-8
900	1050	28	M-30	30	12-8-8
1000	1160	28	M-36	30	12-8-8
1200	1380	32	M-36	30	22-6-7



适用范围 Scope of application

DN	AxA	n° divis.to Y	M	d	T	⊕ ⊖ ⊗
150 × 150	240 × 240	2 div.to 105=210	M-10	12	10	7-1
200 × 200	290 × 290	2 div.to 130=260	M-10	12	10	7-1
250 × 250	340 × 340	2 div.to 155=310	M-10	12	10	7-1
300 × 300	390 × 390	3 div.to 120=360	M-10	12	10	10-2
350 × 350	450 × 450	3 div.to 140=420	M-12	14	10	10-2
400 × 400	500 × 500	4 div.to 117,5=470	M-12	14	10	13-3
450 × 450	550 × 550	4 div.to 130=520	M-12	14	10	13-3
500 × 500	600 × 600	4 div.to 142,5=570	M-12	14	10	13-3
600 × 600	700 × 700	4 div.to 167,5=670	M-12	14	10	13-3

