



LED

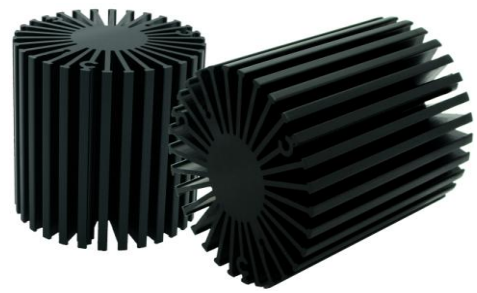


SimpoleD

SimpoleD-PHI-5870 for Philips Modular Passive LED Cooler Φ 58mm

Features VS Benefits

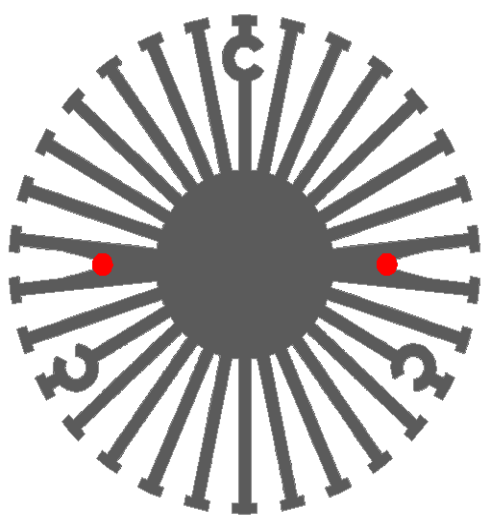
- * The SimpoleD-PHI-5870 Philips Modular Passive LED Coolers are specifically designed for luminaires using the Philips LED engines.
- * Mechanical compatibility with direct mounting of the LED engines to the LED cooler and thermal performance matching the lumen packages.
- * For spotlight and downlight designs from 400 to 1800 lumen.
- * Thermal resistance range Rth 2.9°C/W.
- * Modular design with mounting holes foreseen for direct mounting of Philips SLM engines.
- * Diameter 58mm - standard height 70mm Other heights on request.
- * Extruded from highly conductive aluminum.



Zhaga LED engine and radiator assembly is a unified future international standardization

- * Below you find an overview of philips engines COB's and LED modules which standard fit on the SimpoleD coolers.
- * In this way mechanical after work and related costs can be avoided, and lighting designers can standardize their designs on a limited number of LED coolers.

PHILIPS



Philips Spot Light LED engines for which Zhaga book3 LED Modules holders are available.

Philips Fortimo SLM LED modular Gen2:

- Fortimo LED SLM 800LM 827 L13 G2;
- Fortimo LED SLM 800LM 830 L13 G2;
- Fortimo LED SLM 800LM 835 L13 G2;

- Fortimo LED SLM 800LM 840 L13 G2;
- Fortimo LED SLM 800LM 927 L13 G2;
- Fortimo LED SLM 800LM 930 L13 G2;

- Fortimo LED SLM 1100LM 827 L13 G2;
- Fortimo LED SLM 1100LM 830 L13 G2;
- Fortimo LED SLM 1100LM 835 L13 G2;
- Fortimo LED SLM 1100LM 840 L13 G2;

Philips Fortimo SLM LED modular Gen4:

- Fortimo LED SLM 1100LM 827 L9 G4;
- Fortimo LED SLM 1100LM 830 L9 G4;
- Fortimo LED SLM 1100LM 840 L9 G4;

- Fortimo LED SLM 1100LM 827 L13 G4;
- Fortimo LED SLM 1100LM 830 L13 G4;
- Fortimo LED SLM 1100LM 840 L13 G4;

Red indicator marks:
Direct mounting with machine screws M3x8mm;

Tel:+86-769-39023131
 E-fax:+86-(020)28819702 ext:22122
 Email:sales@mingfatech.com
 Http://www.heatsinkled.com
 Http://www.mingfatech.com





LED



SimpLED

SimpLED-PHI-5870 for Philips Modular Passive LED Cooler $\Phi 58\text{mm}$

Mounting Options and Drawings & Dimensions

Example: SimpLED-PHI-5870-B-3

Example: SimpLED-PHI-58 **1** - **2** - **3**

- 1** Height (mm)
- 2** Anodising Color
B-Black
C-Clear
Z-Custom
- 3** Mounting Options - see graphics for details Combinations available
Ex.order code - 12
means option 1 and 2 combined

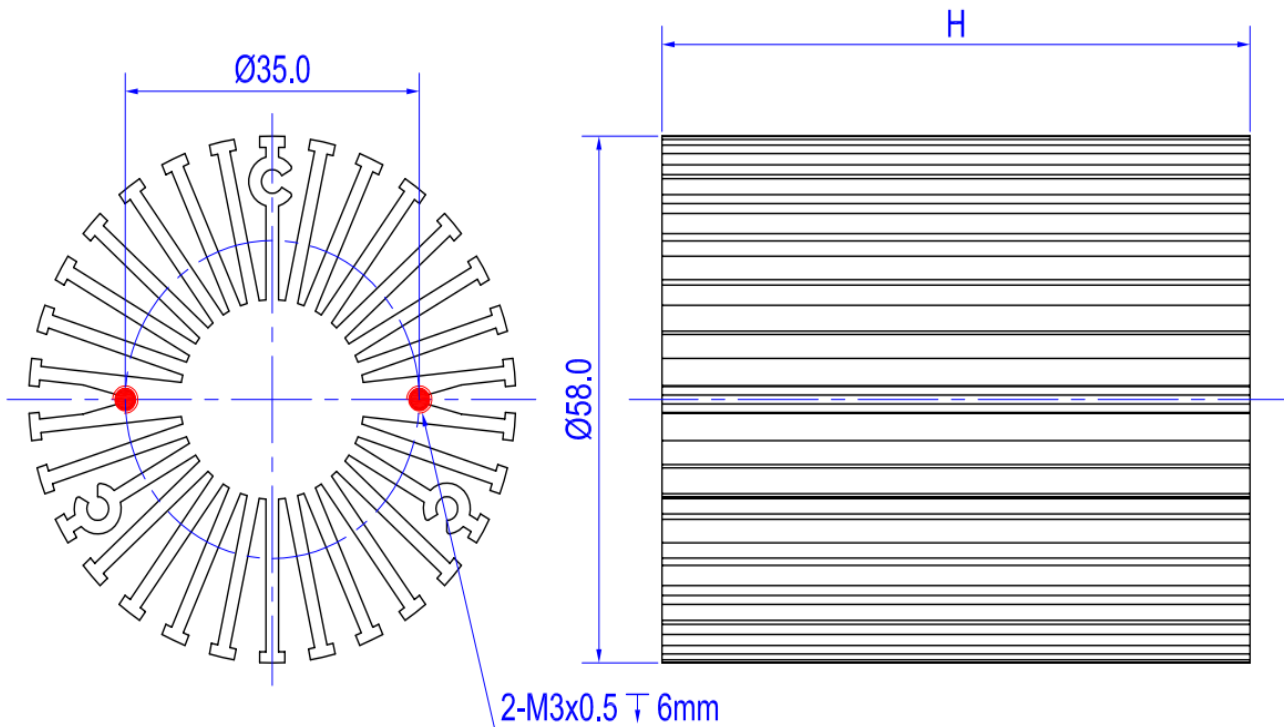
PHILIPS



Notes:

- Mentioned models are an extraction of full product range.
- For specific mechanical adaptations please contact MingfaTech.
- MingfaTech reserves the right to change products or specifications without prior notice.

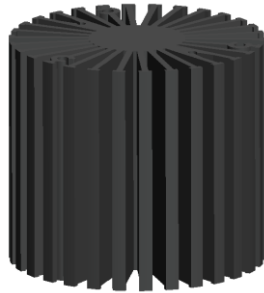
MOUNTING OPTION	Module type	Holder NO.	THREAD	THREAD DEPTH	THREAD HOLE DISTANCE
1	Fortimo SLM	/	M3	8mm	35.0mm/ 2-@180°



SimpOLED

SimpOLED-PHI-5870 for Philips Modular Passive LED Cooler Φ 58mm

The thermal data table

	 <i>SimpOLED-5870</i>
Model No.	SimpOLED-PHI-5870
Size	Φ58xH70mm
Material	AL6063-T5
Finish	Black Anodized
Weight(gr)	244.0
Thermal Wattage	15.5W
HeatsinkΘs-a²	90020
Heat Sink T Rise Above Ambient	2.9

	Pd = Pe x (1- η L)	Heat sink to ambient thermal resistance Rhs-amb ($^{\circ}$ C/W)	Heat sink to ambient temperature rise Ths-amb ($^{\circ}$ C)
		SimpOLED-PHI-5870	SimpOLED-PHI-5870
Dissipated Power Pd(W)	4.0	4.00	16.0
	8.0	3.50	28.0
	12.0	3.12	37.5
	16.0	2.90	46.5
	20.0	2.76	55.3

