



for

LED

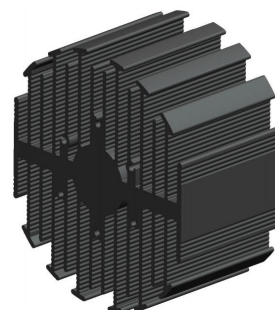


eLED

eLED-TRI-9550 Tridonic Modular Passive Star LED Heat Sink Φ 95mm

Features VS Benefits

- * The eLED-TRI-9550 Tridonic Modular Passive Star LED Heat Sinks are specifically designed for luminaires using the Tridonic LED engines.
- * Mechanical compatibility with direct mounting of the LED engines to the LED cooler and thermal performance matching the lumen packages.
- * For spotlight and downlight designs from 1800 to 4500 lumen.
- * Thermal resistance range R_{th} 1.2C/W.
- * Modular design with mounting holes foreseen for direct mounting of Tridonic TALEX module SLE modules.
- * Diameter 95mm - standard height 50mm Other heights on request.
- * Extruded from highly conductive aluminum.



Zhaga LED engine and radiator assembly is a unified future international standardization

- * Below you find an overview of Tridonic COB's and LED modules which standard fit on the eLED Star LED Heat Sinks.
- * In this way mechanical after work and related costs can be avoided, and lighting designers can standardize their designs on a limited number of Star LED Heat Sinks.

TRIDONIC

enlightening your ideas



A. A. G.
STUCCHI
ideas are made of light



Tridonic LED engines for which Zhaga book3 LED Modules holders are available.

For the Stark SLE GEN3 SELECT, CLASSIC, FOOD, ART model.

STARK-SLE-G3-19-xxx; STARK-SLE-G3-23-xxx;

For the Stark SLE GEN4 ADVANCE, EXCITE model.

With BJB holder: 47.319.2021.50;

SLE-G4-15mm-xxx;

For the Stark SLE GEN4 ADVANCE, EXCITE model.

SLE-G4-19mm-xxx;

SLE-G4-23mm-xxx;

For the Stark SLE GEN3 Mini SELECT, Mini CLASSIC, ART model.

With BJB holder: 47.319.2021.50;

STARK-SLE-PURE-G3-17-xxx;

Tridonic LED engines for which Zhaga book11 LED Modules holders are available.

For the Stark SLE GEN3 Mini SELECT, Mini CLASSIC, ART model.

STARK-SLE-PURE-G3-10-xxx;

With Zhaga Book 11 LED holder

BJB holder: 47.319.6060.50;

A.A.G. Stucchi holder: 8100/G2;

Zhaga Book11 green indicator marks:

Direct mounting with machine screws M3x8mm;

Tridonic LED Modules directly Mounting Options

For the Stark SLE GEN4 ADVANCE, EXCITE model.

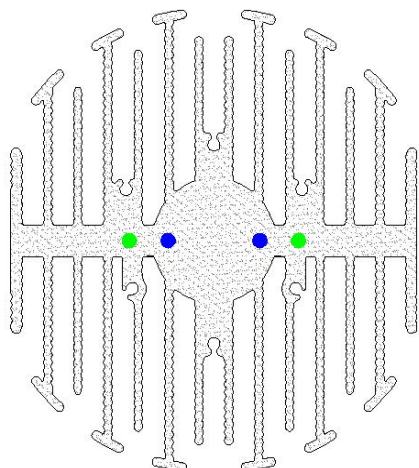
SLE-G4-15mm-2000lm-xxx;

Direct mounting with machine screws M3x6mm.

Blue indicator marks.

For the Stark SLE GEN3 Mini SELECT, Mini CLASSIC, ART model.

STARK-SLE-PURE-G3-10-xxx;



Tel: +86-769-39023131

E-fax: +86-(020)28819702 ext: 22122

Email: sales@mingfatech.com

Http://www.heatsinkled.com

Http://www.mingfatech.com



eLED

eLED-TRI-9550 Tridonic Modular Passive Star LED Heat Sink Φ 95mm

Mounting Options and Drawings & Dimensions

Example:eLED-TRI-9550-B-3

Example:eLED-TRI-95 **1** - **2** - **3**

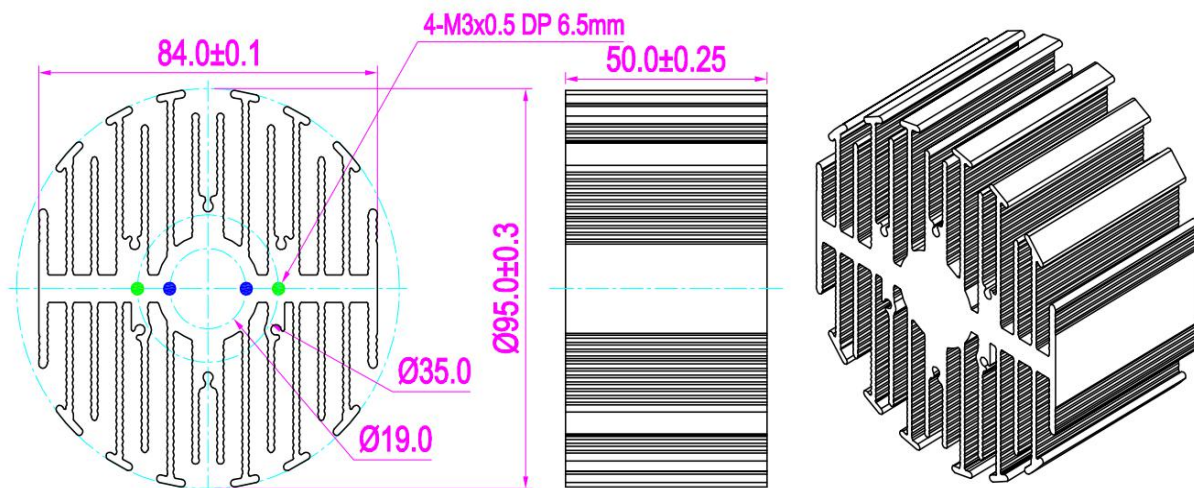
- 1** Height (mm)
- 2** Anodising Color
B-Black
C-Clear
Z-Custom
- 3** Mounting Options - see graphics for details Combinations available
Ex.order code - 12
means option 1 and 2 combined

Notes:

- Mentioned models are an extraction of full product range.
- For specific mechanical adaptations please contact MingfaTech.
- MingfaTech reserves the right to change products or specifications without prior notice.



MOUNTING OPTION	Module type	Holder NO.	THREAD	THREAD DEPTH	THREAD HOLE DISTANCE
1	STARK-SLE-PURE-G3-10-xxx;	/	M3	6.5mm	19.0mm/ @180°
2	SLE-G4-15mm-xxx; STARK-SLE-PURE-G3-17-xxx	BJB (47.319.2021.50)	M3	6.5mm	35.0mm/ @180°
	SLE-G4-19mm-xxx; SLE-G4-23mm-xxx; STARK-SLE-G3-19-xxx; STARK-SLE-G3-23-xxx;	/			



eLED

eLED-TRI-9550 Tridonic Modular Passive Star LED Heat Sink Φ 95mm

The thermal data table

	 <i>eLED-9550</i>
Model No.	eLED-TRI-9550
Size	Φ95xH50mm
Material	AL6063-T5
Finish	Black Anodized
Weight(gr)	353
Thermal Wattage	40.5W
HeatsinkOs-a²	108320
Heat Sink T_{Rise Above Ambient}	1.25

Dissipated Power Pd(W)	Pd = Pe x (1-ηL)	
	Heat sink to ambient thermal resistance Rhs-amb (°C/W)	Heat sink to ambient temperature rise T _{hs-amb} (°C)
	eLED-TRI-9550	
10	1.80	18
20	1.40	28
30	0.97	29
40	1.25	50
50	1.18	59

