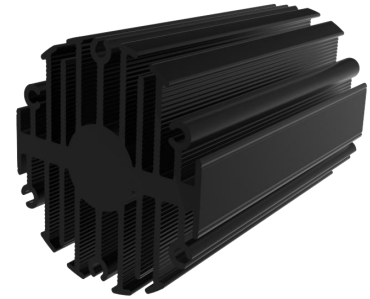


eLED

eLED-LUME-4680 Lumens Modular Passive Star LED Heat Sink Φ 46mm

Features VS Benefits

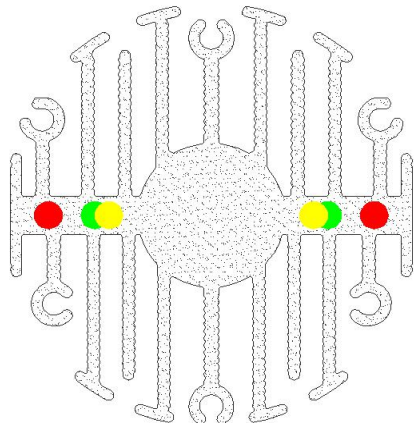
- * The eLED-LUME-4680 Lumens Modular Passive Star LED Heat Sinks are specifically designed for luminaires using the Lumens LED engines.
- * Mechanical compatibility with direct mounting of the LED engines to the LED cooler and thermal performance matching the lumen packages.
- * For spotlight and downlight designs from 900 to 1500 lumen.
- * Thermal resistance range R_{th} 3.8°C/W.
- * Modular design with mounting holes foreseen for direct mounting of Lumens ERC1507 and ERC1512 LED engines.
- * Diameter 46.5mm - standard height 80mm Other heights on request.
- * Extruded from highly conductive aluminum.



Zhaga LED engine and radiator assembly is a unified future international standardization

- * Below you find an overview of Lumens COB's and LED modules which standard fit on the eLED Star LED Heat Sinks.
- * In this way mechanical after work and related costs can be avoided, and lighting designers can standardize their designs on a limited number of Star LED Heat Sinks.

LUMENS



Lumens LED engines for which Zhaga LED Modules holders are available.

For the ERC1507/1512 LED engines.

- | | |
|----------------|----------------|
| ERC1507S827HE; | ERC1512S827HE; |
| ERC1507S830HE; | ERC1512S830HE; |
| ERC1507S835HE; | ERC1512S835HE; |
| ERC1507S840HE; | ERC1512S840HE; |
| ERC1507S850HE; | ERC1512S850HE; |
| ERC1507S927HE; | ERC1512S927HE; |
| ERC1507S930HE; | ERC1512S930HE; |
| ERC1507S935HE; | ERC1512S935HE; |

Mounting with machine screws M3x8mm;
 NO.1:With Zhaga Book 3 LED holder for red indicator marks.
 (Ideal Holder:50-2001CR);
 NO.2:With Zhaga Book 11 LED holder for gree indicator marks.
 (BJB holder:47.319.6101.50);
 (AAG.STUCCHI 8400-G2);
 NO.3:Without the LED holder for yellow indicator marks.

Please refer to the www.lumensleds.com data provided on the manual.



LED



eLED

eLED-LUME-4680 Lumens Modular Passive Star LED Heat Sink Φ 46mm

Mounting Options and Drawings & Dimensions

Example: eLED-LUME-4680-B-1,2

Example: eLED-LUME-4680-1-2-3

- 1** Height (mm)
- 2** Anodising Color
B-Black
C-Clear
Z-Custom
- 3** Mounting Options - see graphics for details Combinations available
Ex.order code - 12
means option 1 and 2 combined

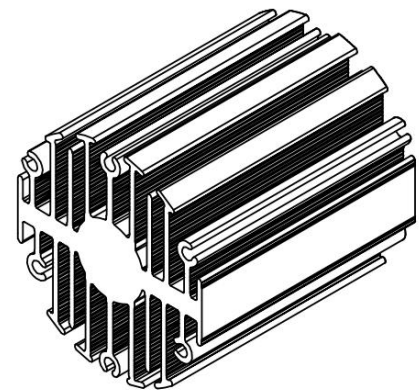
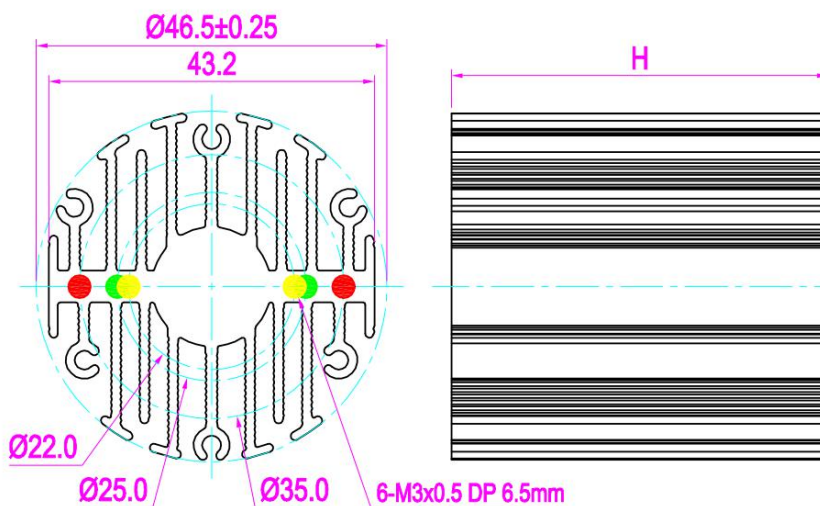
Notes:

- Mentioned models are an extraction of full product range.
 - For specific mechanical adaptations please contact MingfaTech.
 - MingfaTech reserves the right to change products or specifications with out prior notice.
- Note : option 1 and option 2, can not be combined

LUMENS



MOUNTING OPTION	Module type	Holder NO.	THREAD	THREAD DEPTH	THREAD HOLE DISTANCE
1		/	M3	6.5mm	22.0mm/ 2-@180°
2	ERC1507 ERC1512	AAG.STUCCHI 8400-G2	M3	6.5mm	25.0mm/ 2-@180°
		BJB 47.313.6101.50			
3		Ideal Holde 50-2001CR	M3	6.5mm	35.0mm/ 2-@180°



eLED

eLED-LUME-4680 Lumens Modular Passive Star LED Heat Sink Φ 46mm

The thermal data table

	 <i>eLED-4680</i>
Model No.	eLED-LUME-4680
Size	Φ46.5xH80mm
Material	AL6063-T5
Finish	Black Anodized
Weight(g)	161.5
Thermal Wattage	13.0W
HeatsinkOs-a²	65150
Heat Sink T Rise Above Ambient	3.8

Dissipated Power Pd(W)	Pd = Pe x (1- η L)	Heat sink to ambient thermal resistance Rhs-amb ($^{\circ}$ C/W)	Heat sink toambienttemperature riseThs-amb ($^{\circ}$ C)
		eLED-LUME-4680	
3		4.67	14
6		4.67	28
9		4.33	39
12		4.00	48
15		3.73	56

