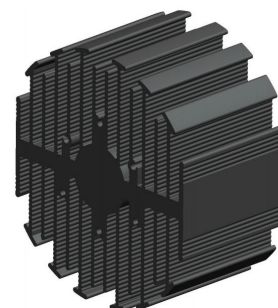


eLED

eLED-NIC-9550 Nichia Modular Passive Star LED Heat Sink Φ 95mm

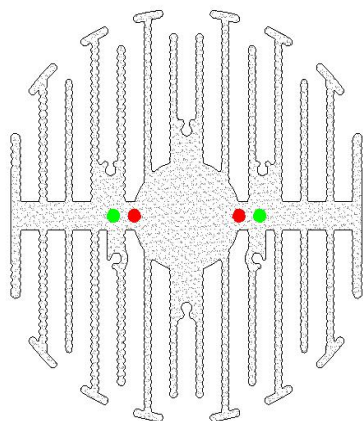
Features VS Benefits

- * The eLED-NIC-9550 Nichia Modular Passive Star LED Heat Sinks are specifically designed for luminaires using the Nichia LED engines.
- * Mechanical compatibility with direct mounting of the LED engines to the LED cooler and thermal performance matching the lumen packages.
- * For spotlight and downlight designs from 1500 to 4400 lumen.
- * Thermal resistance range R_{th} 1.35°C/W.
- * Modular design with mounting holes foreseen for direct mounting of Nichia COB LED engines.
- * Diameter 95mm - standard height 50mm Other heights on request.
- * Extruded from highly conductive aluminum.



Zhaga LED engine and radiator assembly is a unified future international standardization

- * Below you find an overview of Nichia engines COB's and LED modules which standard fit on the eLED Star LED Heat Sinks.
- * In this way mechanical after work and related costs can be avoided, and lighting designers can standardize their designs on a limited number of LED Star LED Heat Sinks.



Nichia LED engines Mounting Options.

Nichia COB LED modules name:

- NJCWS024Z;
- NJCLS024Z;

Zhaga Book11 Holders:

- BJB holder:47.319.6180.50;
- A.A.G Stucchi holder:8300/G2
- Direct mounting with machine screws M3x8mm;
- Red indicator marks

Nichia COB LED modules name:

- NFCWL036B;
- NFCLL036B;
- NFCWL060B;
- NFCLL060B;

Zhaga Book3 connector:

- Ideal Holder:50-2100NC;
- TE Connectivity:2213382-2
- Mounting with machine screws M3x8mm;
- Green indicator marks

eLED

eLED-NIC-9550 Nichia Modular Passive Star LED Heat Sink Φ 95mm

Mounting Options and Drawings & Dimensions

Example: eLED-NIC-9550-B-1,2

Example: eLED-NIC-9550-**1**-**2**-**3**

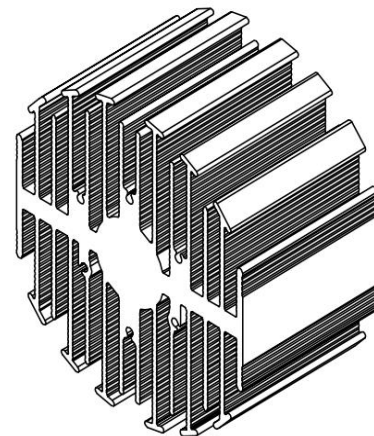
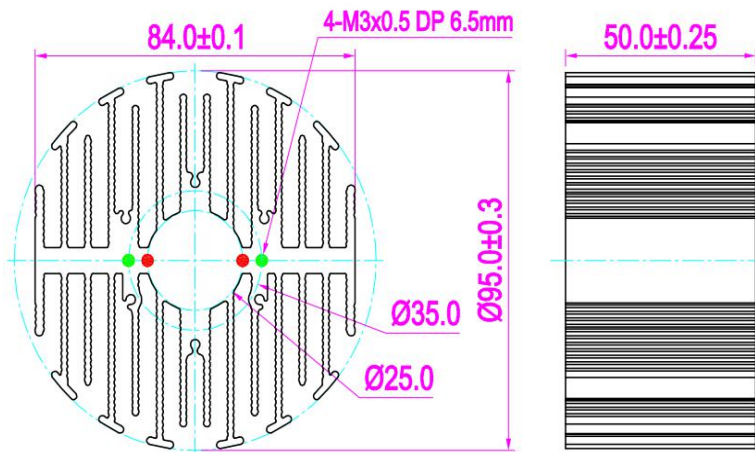
- 1** Height (mm)
- 2** Anodising Color
B-Black
C-Clear
Z-Custom
- 3** Mounting Options - see graphics for details Combinations available
Ex.order code - 12
means option 1 and 2 combined

Notes:

- Mentioned models are an extraction of full product range.
- For specific mechanical adaptations please contact MingfaTech.
- MingfaTech reserves the right to change products or specifications without prior notice.



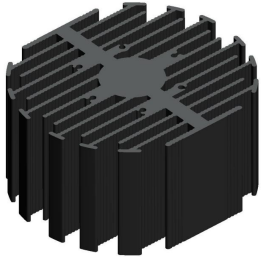
MOUNTING OPTION	Module type	Holder NO.	THREAD	THREAD DEPTH	THREAD HOLE DISTANCE
N	/	None	None	None	None
1	NJCWS024Z; NJCLS024Z;	BJB (47.319.6180.50)	M3	6.5mm	25.0mm/ @180°
		A.A.G Stucchi (8300/G2)			
2	NFCWL036B; NFCLL036B; NFCWL060B; NFCLL060B;	Ideal Holder: (50-2100NC)	M3	6.5mm	35.0mm/ @180°
		TE Connectivity: (2213382-2)			



eLED

eLED-NIC-9550 Nichia Modular Passive Star LED Heat Sink $\Phi 95\text{mm}$

The thermal data table

	 <i>eLED-9550</i>
Model No.	eLED-NIC-9550
Size	$\Phi 95 \times H50\text{mm}$
Material	AL6063-T5
Finish	Black Anodized
Weight(gr)	353
Thermal Wattage	40.5W
Heatsink Θ_{s-a}^2	108320
Heat Sink T Rise Above Ambient	1.25

Dissipated Power Pd(W)	Pd = Pe x (1-ηL)	Heat sink to ambient thermal resistance Rhs-amb (°C/W)	Heat sink to ambient temperature rise Ths-amb (°C)
		eLED-NIC-9550	
10		1.80	18
20		1.40	28
30		0.97	29
40		1.25	50
50		1.18	59

